

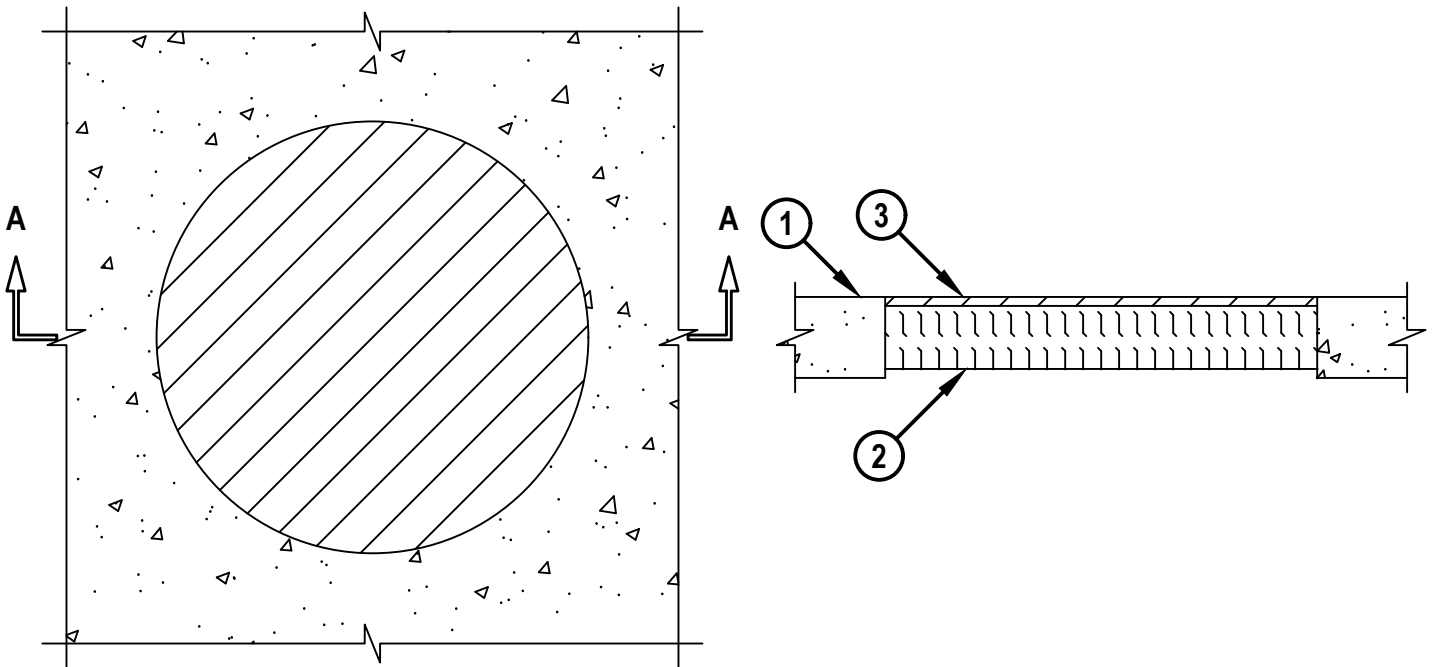
**BLANK OPENING THROUGH CONCRETE FLOOR/WALL OR BLOCK WALL ASSEMBLY**

F-RATING = 2-HR.  
T-RATING = 0-HR.

CAJ0141b.091222

**TOP VIEW**

**SECTION A-A**



1. CONCRETE FLOOR OR WALL ASSEMBLY (2-HR. FIRE-RATING) :
  - A. LIGHTWEIGHT OR NORMAL WEIGHT CONCRETE FLOOR OR WALL (MINIMUM 4-1/2" THICK).
  - B. ANY UL/cUL CLASSIFIED CONCRETE BLOCK WALL.
2. MINIMUM 3-1/2" THICKNESS MINERAL WOOL SAFING (MIN. 4 PCF DENSITY) TIGHTLY PACKED.
3. MINIMUM 1/2" DEPTH HILTI CFS-S SIL GG FIRESTOP SILICONE SEALANT OR HILTI CFS-S SIL SL FIRESTOP SILICONE SEALANT (FLOORS ONLY).

**NOTES : 1. MAXIMUM DIAMETER OF OPENING = 24".**  
**2. MINIMUM 1/2" DEPTH HILTI CFS-S SIL GG FIRESTOP SILICONE SEALANT IS REQUIRED ON EACH SIDE OF A WALL.**

 <b>Hilti Firestop Systems</b>	HILTI, Inc. Plano, Texas USA (800) 879-8000	Sheet 1 of 1	Drawing No. <b>CAJ 0141b</b>
		Scale 3/32" = 1"	
		Date Sep. 12, 2022	
<b><i>Saving Lives through Innovation and Education</i></b>			