

UL SYSTEM NO. HW-D-0825

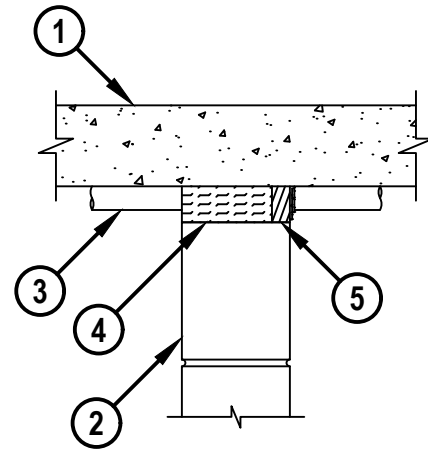
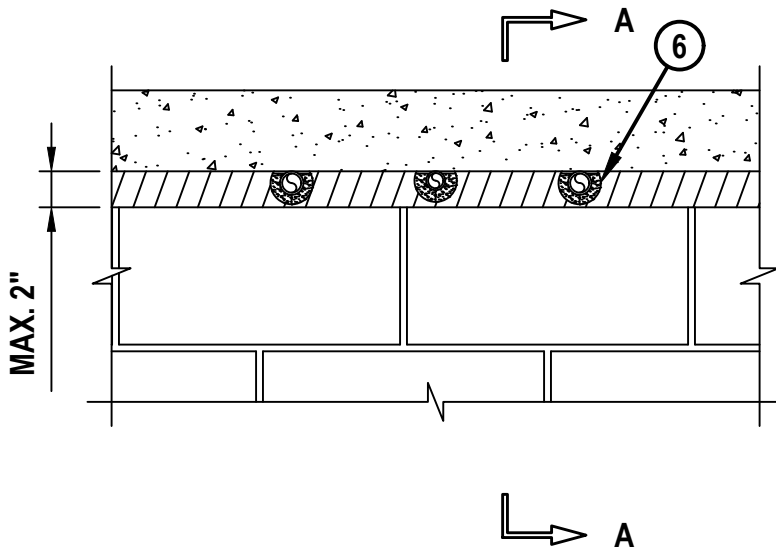
TOP OF WALL JOINT : CONCRETE WALL ASSEMBLY

ASSEMBLY RATING = 2-HR.

CLASS II MOVEMENT CAPABILITIES - 12.5% COMPRESSION OR EXTENSION

FRONT VIEW

SECTION A-A



HWD0825c-052521

1. CONCRETE FLOOR ASSEMBLY (2-HR. FIRE-RATING) :
 - A. LIGHTWEIGHT OR NORMAL WEIGHT CONCRETE FLOOR (MINIMUM 4-1/2" THICK).
 - B. ANY UL CLASSIFIED PRECAST (HOLLOW-CORE) CONCRETE FLOOR (MINIMUM 6" THICK).
2. CONCRETE WALL ASSEMBLY (2-HR. FIRE-RATING) :
 - A. LIGHTWEIGHT OR NORMAL WEIGHT CONCRETE WALL (MINIMUM 6" THICK).
 - B. ANY UL CLASSIFIED CONCRETE BLOCK WALL.
3. [OPTIONAL] ONE OR MORE PENETRANTS CONSISTING OF THE FOLLOWING :
 - A. MAXIMUM 1" NOMINAL DIAMETER STEEL CONDUIT.
 - B. MAXIMUM 1" NOMINAL DIAMETER PVC CONDUIT (SCH 40).
4. MINIMUM 5" THICKNESS MINERAL WOOL SAFING (MIN. 4 PCF DENSITY) COMPRESSED 50%, FLUSH WITH ONE SIDE OF WALL AND RECESSED FROM OPPOSITE SIDE TO ACCOMMODATE SEALANT.
5. MINIMUM 1" DEPTH HILTI CP 606 FLEXIBLE FIRESTOP SEALANT.
6. HILTI CFS-D 1" FIRESTOP PUTTY DISC PRESSED FIRMLY AROUND PENETRANT AND OVER FIRESTOP SEALANT AT JOINT FACE. ONE PUTTY DISC INSTALLED ON EACH PENETRATING ITEM.

NOTES : 1. MAXIMUM WIDTH OF JOINT = 2".
2. ANNULAR SPACE (PENETRANTS TO BOTTOM OF FLOOR) = NOMINAL 0".
3. ANNULAR SPACE (PENETRANTS TO WALL) = MINIMUM 5/8".
4. ANNULAR SPACE (BETWEEN PENETRANTS) = MINIMUM 8".



HILTI, Inc.
Plano, Texas USA (800) 879-8000

Sheet	1 of 1
Scale	3/32" = 1"
Date	May 25, 2021

Drawing No.
**HWD
0825c**

Saving Lives through Innovation and Education