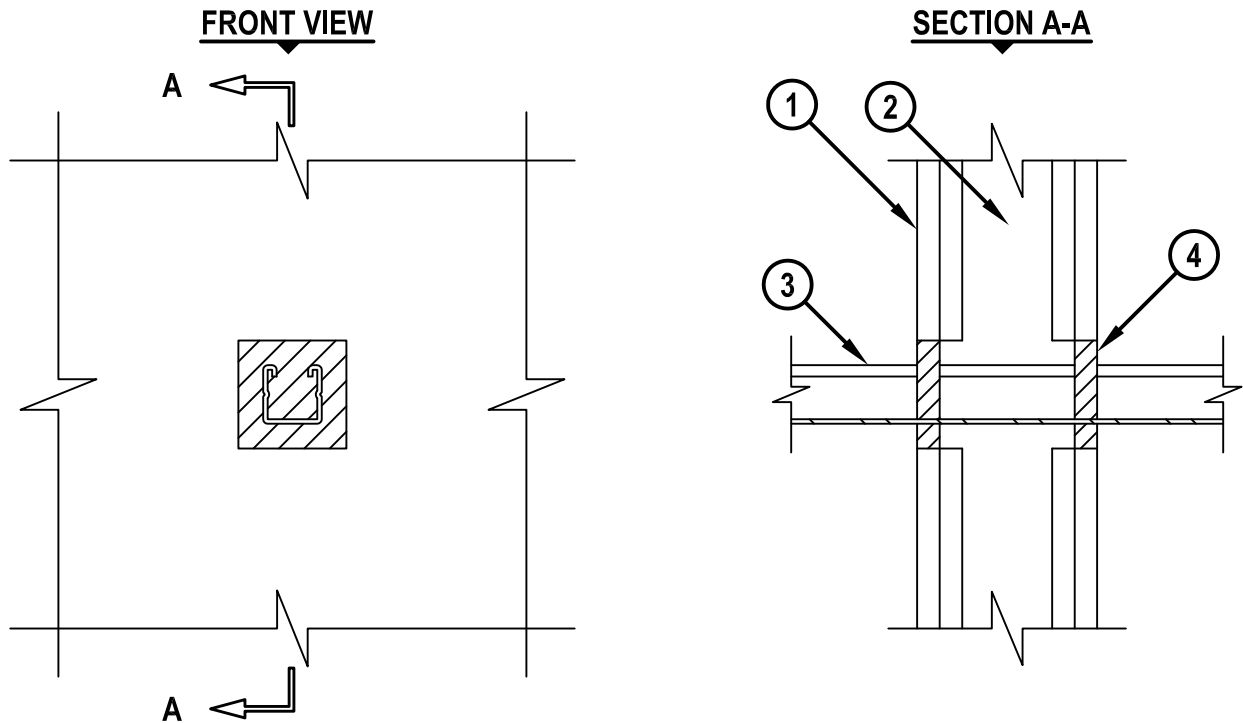


**MECHANICAL SUPPORT MEMBERS THROUGH GYPSUM WALL SSEMBLY**

F-RATING = 1-HR. OR 2-HR.

T-RATING = 0-HR.

WL7130b.011415



1. GYPSUM WALL ASSEMBLY (UL CLASSIFIED U300, U400 OR V400 SERIES) (1-HR. OR 2-HR. FIRE-RATING) (2-HR. SHOWN).
2. [NOT SHOWN] WOOD STUDS TO CONSIST OF NOMINAL 2" x 4" LUMBER. STEEL STUDS TO BE MINIMUM 2-1/2" WIDE.
3. PENETRATING ITEM TO BE ONE OF THE FOLLOWING :
  - A. MAXIMUM 1-5/8" x 1-5/8" GALVANIZED OR PAINTED STEEL CHANNEL STRUT (MINIMUM 0.105" THICK).
  - B. MAXIMUM 3-1/4" x 1-5/8" GALVANIZED OR PAINTED STEEL "H" STRUT (MINIMUM 0.105" THICK).
  - C. MAXIMUM 3/8" DIAMETER UNJACKETED GALVANIZED STEEL CABLE.
  - D. MAXIMUM 1" DIAMETER GALVANIZED THREADED STEEL ROD.
  - E. MAXIMUM 2" x 2" x 1/8" THICK STEEL ANGLE.
4. MINIMUM 5/8" DEPTH HILTI FS-ONE MAX OR FS-ONE INTUMESCENT FIRESTOP SEALANT OR HILTI CP 606 FLEXIBLE FIRESTOP SEALANT.

**NOTES :** 1. MAXIMUM SIZE OF OPENING = 5" x 3" [OR MAXIMUM 3" DIAMETER].  
 2. ANNULAR SPACE = MINIMUM 1/8", MAXIMUM 7/8".  
 3. PENETRANT MAY BE INSTALLED AT AN ANGLE NOT GREATER THAN 45° FROM PERPENDICULAR.  
 4. WHEN HILTI CP 606 FLEXIBLE FIRESTOP SEALANT IS USED ON AN ANGLED PENETRANT THROUGH A 2-HR FIRE RATED WALL, FIRMLY PACK 1/2" THICKNESS OF MINERAL WOOL (MIN. 4 PCF DENSITY) INTO OPENING AS A PERMANENT FORM.



HILTI, Inc.  
 Tulsa, Oklahoma USA (800) 879-8000

Sheet	1 of 1
Scale	3/16" = 1"
Date	Jan. 14, 2015

Drawing No.  
**WL 7130b**