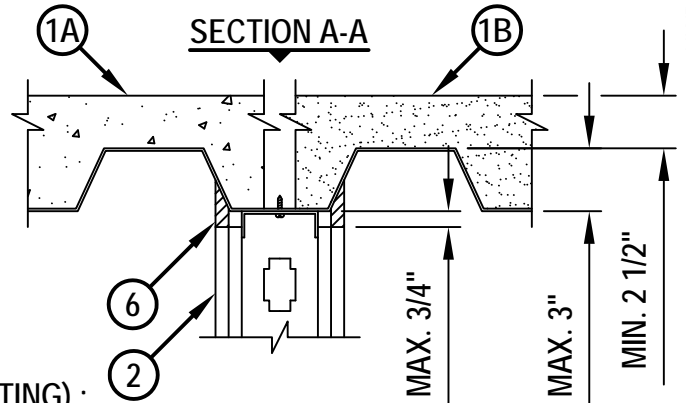
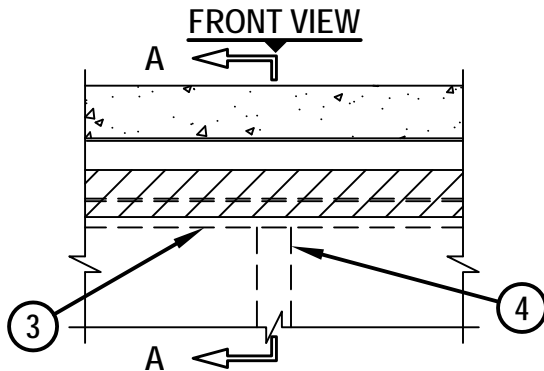


TOP OF WALL JOINT : GYPSUM WALL ASSEMBLY

ASSEMBLY RATING = 1-HR. OR 2-HR. (DEPENDING ON RATING OF WALL AND FLOOR ASSEMBLY)
 CLASS II MOVEMENT CAPABILITIES - 17% COMPRESSION OR EXTENSION
 L-RATING AT AMBIENT = LESS THAN 1 CFM / LIN FT
 L-RATING AT 400°F = LESS THAN 1 CFM / LIN FT

HWD0184j.011414



1. FLOOR OR ROOF ASSEMBLY (1-HR. OR 2-HR. FIRE-RATING) :
 - A. LIGHTWEIGHT OR NORMAL WEIGHT CONCRETE FLOOR (MIN. 2-1/2" THICK) OVER METAL DECKING (UL/cUL CLASSIFIED D700 OR D900 SERIES).
 - B. INSULATING CONCRETE (MIN. 2-1/4" THICK) OVER METAL DECKING (UL/cUL CLASSIFIED P900 SERIES).
 - C. [NOT SHOWN] FLUTED STEEL ROOF DECK WITH SPRAY-APPLIED FIREPROOFING (UL/cUL CLASSIFIED P700 SERIES).
2. GYPSUM WALL ASSEMBLY (UL/cUL CLASSIFIED U400 OR V400 SERIES) (1-HR. OR 2-HR. FIRE-RATING).
3. CEILING RUNNER (MIN. 25 GA., FLANGE HEIGHT OF CEILING RUNNER SHALL BE MINIMUM 1/4" GREATER THAN MAXIMUM EXTENDED JOINT WIDTH) FASTENED TO UNDERSIDE OF DECK WITH STEEL MASONRY ANCHORS, STEEL FASTENERS, OR WELDS (SPACED MAX. 24" O.C.) (SEE NOTE NO. 2 BELOW).
4. [OPTIONAL - NOT SHOWN] WHEN SPRAY APPLIED FIREPROOFING IS USED CEILING RUNNER MAY BE SECURED TO DECK WITH Z-SHAPED CLIPS (MIN. 20 GA.) MINIMUM 1" LONG, BUT NOT EXCEEDING THE WIDTH OF THE WALL. CLIPS TO BE SIZED TO EXTEND THROUGH THE THICKNESS OF THE FIREPROOFING WITH 1-1/2" OR 2" LONG UPPER AND LOWER LEGS. SUPPORT CLIPS TO BE SPACED 24" O/C.
5. STEEL STUDS (MIN. 3-5/8" WIDE), CUT 1/2" TO 3/4" LESS IN LENGTH THAN ASSEMBLY HEIGHT, NESTING IN CEILING RUNNER WITHOUT ATTACHMENT.
6. MINIMUM 5/8" DEPTH HILTI CP 601S ELASTOMERIC FIRESTOP SEALANT, CP 606 FLEXIBLE FIRESTOP SEALANT, OR HILTI CFS-S SIL GG FIRESTOP SILICONE SEALANT.

NOTES : 1. STEEL FLOOR UNITS MAY BE SPRAYED WITH A MINIMUM 5/16" THICKNESS TO MAXIMUM 11/16" THICKNESS OF UL CLASSIFIED MONOKOTE TYPE MK-6/HY FIREPROOFING MANUFACTURED BY W.R. GRACE & CO. PRIOR TO OR AFTER INSTALLATION OF CEILING RUNNERS.

2. AS AN ALTERNATE TO CEILING RUNNER IN ITEM NO. 3, SLOTTED CEILING RUNNERS MAY BE USED. WHEN ALTERNATE CEILING TRACKS ARE USED, CONSULT THE UL FIRE RESISTANCE DIRECTORY FOR APPROVED MANUFACTURERS.

3. [OPTIONAL, NOT SHOWN] MINERAL WOOL, FIBERGLASS, OR POLYURETHANE/POLYETHYLENE FOAM BACKER ROD MAY BE USED AS A BACKER.

4. L-RATING ONLY APPLIES WHEN HILTI CP 606 FLEXIBLE FIRESTOP SEALANT OR HILTI CFS-S SIL GG FIRESTOP SILICONE SEALANT IS USED.



HILTI, Inc.
 Tulsa, Oklahoma USA (800) 879-8000

Sheet	1 of 1
Scale	7/64" = 1"
Date	Jan. 14, 2014

Drawing No.
**HWD
 0184j**