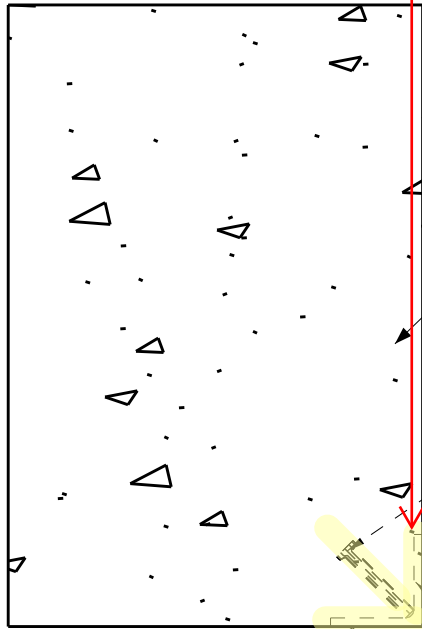


Embed in Question



CONCRETE BEAM

CONCRETE BEAM

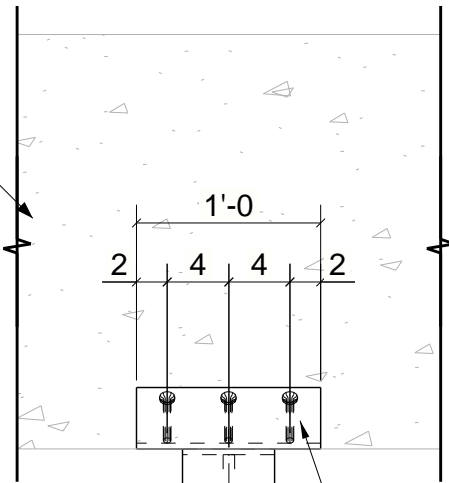
3 ~ 1/2"Ø X 0'-4 LONG HEADED STUDS

EMBED ANGLE L4X4X3/8 X 1'-0

3 SIDES

3/16

ANGLE L5X3-1/2X3/8 X 0'-6 (LLV)



1'-0

2 4 4 2

EMBED ANGLE L4X4X3/8 X 1'-0

ANGLE L5X3-1/2X3/8 X 0'-6 (LLV)

3 3

6

ROD RB3/4

05 SECTION
E5302

05
E5302

ROD RB3/4