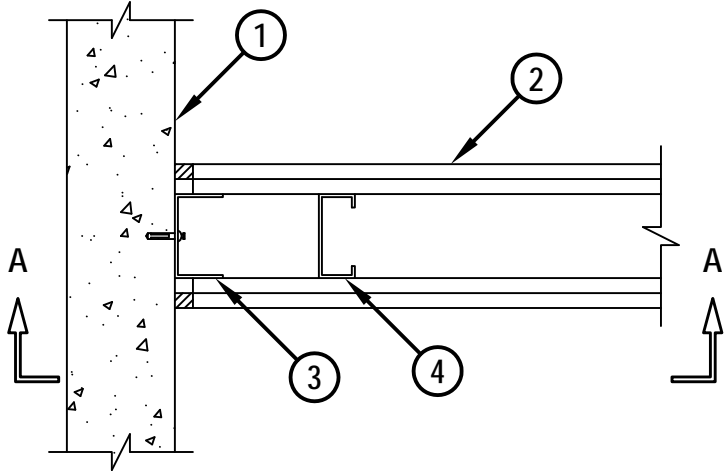


**WALL TO WALL JOINT : GYPSUM WALL TO CONCRETE OR BLOCK WALL ASSEMBLY**

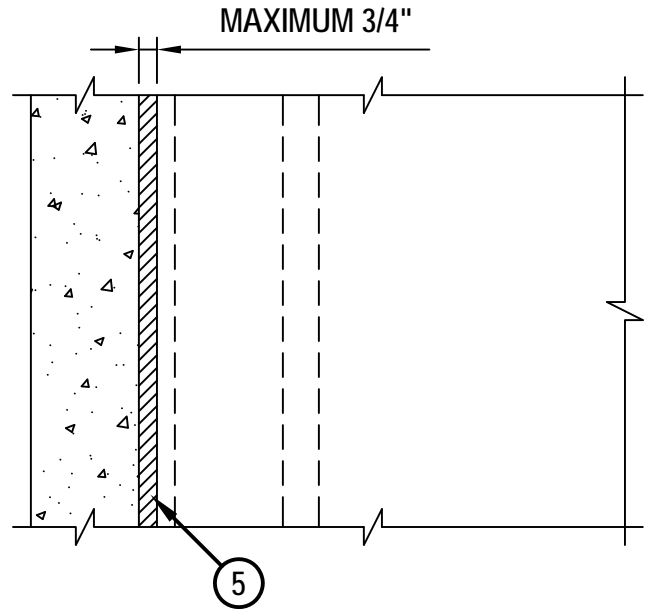
ASSEMBLY RATING = 1-HR. OR 2-HR.  
 CLASS II MOVEMENT CAPABILITY - 17% COMPRESSION OR EXTENSION  
 L-RATING AT AMBIENT = LESS THAN 1 CFM / LIN FT  
 L-RATING AT 400°F = LESS THAN 1 CFM / LIN FT

WWD0040e.122013

**TOP VIEW**



**SECTION A-A**



1. CONCRETE WALL ASSEMBLY (1-HR. OR 2-HR. FIRE-RATING) :
  - A. LIGHTWEIGHT OR NORMAL WEIGHT CONCRETE WALL (MINIMUM 4-1/2" THICK).
  - B. ANY UL/cUL CLASSIFIED CONCRETE BLOCK WALL.
2. GYPSUM WALL ASSEMBLY (UL/cUL CLASSIFIED U400, V400, OR W400 SERIES) (1-HR. OR 2-HR. FIRE-RATING) (2-HR. SHOWN).
3. WALL RUNNER (MINIMUM 25 GA.) SECURED TO WALL ASSEMBLY WITH STEEL CONCRETE FASTENERS (SPACED 12" O.C.).
4. STEEL STUDS (MINIMUM 3-1/2" WIDE), CUT 1/2" TO 3/4" LESS IN LENGTH THAN ASSEMBLY HEIGHT, NESTING IN CEILING RUNNER WITHOUT ATTACHMENT. FIRST STUD ADJACENT TO CONCRETE WALL SHALL NOT EXCEED 4" FROM WALL FACE.
5. MINIMUM 5/8" DEPTH HILTI CP 601S ELASTOMERIC FIRESTOP SEALANT, HILTI CP 606 FLEXIBLE FIRESTOP SEALANT, OR HILTI CFS-S SIL GG FIRESTOP SILICONE SEALANT.

NOTES : 1. [OPTIONAL, NOT SHOWN] MINERAL WOOL, FIBERGLASS, OR POLYURETHANE/POLYETHYLENE FOAM BACKER ROD MAY BE USED AS A BACKER IN 2-HR. WALLS.  
 2. L-RATING ONLY APPLIES WHEN HILTI CP 606 FLEXIBLE FIRESTOP SEALANT IS USED.



HILTI, Inc.  
 Tulsa, Oklahoma USA (800) 879-8000

Sheet	1 of 1
Scale	1/8" = 1"
Date	Dec. 20, 2013

Drawing No.  
**WWD  
 0040e**