

UL SYSTEM NO. C-AJ-2098

**ENT THROUGH CONCRETE FLOOR/WALL OR BLOCK WALL ASSEMBLY**

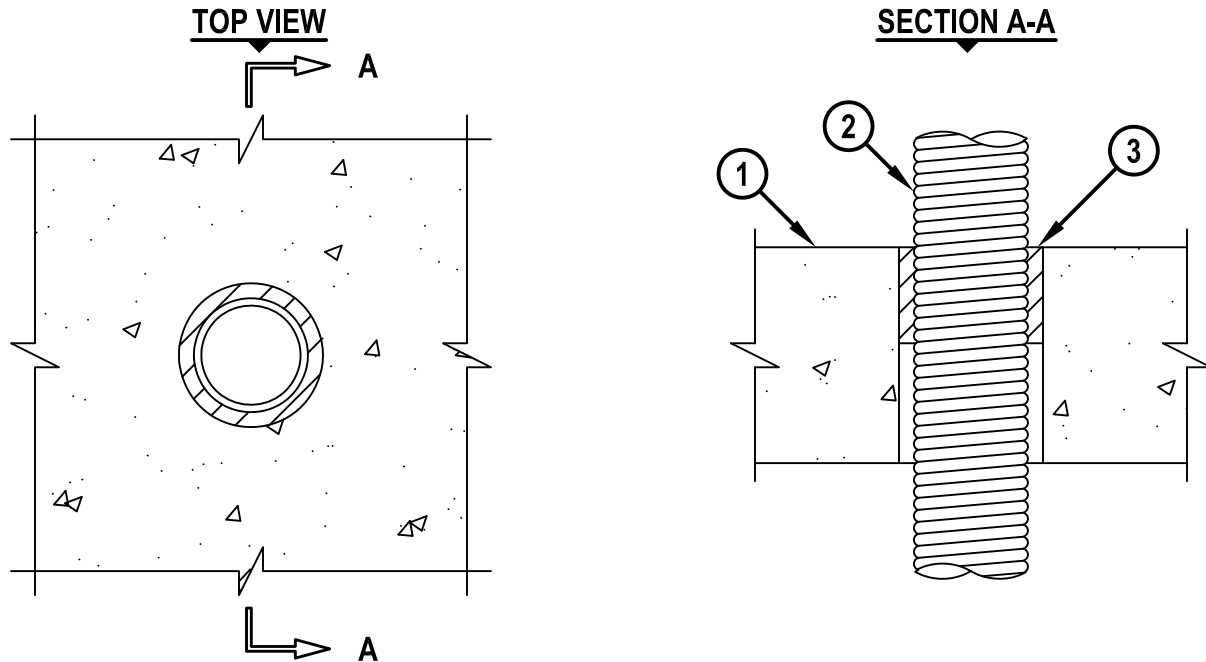
F RATING = 3-HR.

T RATING = 3-HR.

L RATING AT AMBIENT = LESS THAN 1 CFM / SQ FT

L RATING AT 400°F = 4 CFM / SQ FT

CAJ2098e.123014



1. CONCRETE FLOOR OR WALL ASSEMBLY (3-HR. FIRE-RATING) :
  - A. LIGHTWEIGHT OR NORMAL WEIGHT CONCRETE FLOOR OR WALL (MINIMUM 4-1/2" THICK).
  - B. ANY UL CLASSIFIED CONCRETE BLOCK WALL.
2. MAXIMUM 2" NOMINAL DIAMETER ELECTRICAL NONMETALLIC TUBING (ENT).
3. MINIMUM 2" DEPTH HILTI FS-ONE MAX OR FS-ONE INTUMESCENT FIRESTOP SEALANT.

NOTES : 1. MAXIMUM DIAMETER OF OPENING = 3".  
2. ANNULAR SPACE = 5/16".  
3. MINIMUM 2" DEPTH HILTI FS-ONE MAX OR FS-ONE INTUMESCENT FIRESTOP SEALANT IS REQUIRED ON BOTH SIDES OF A WALL ASSEMBLY.



HILTI, Inc.  
Tulsa, Oklahoma USA (800) 879-8000

Sheet	1 of 1
Scale	1/4" = 1"
Date	Dec. 30, 2014

Drawing No.  
**CAJ  
2098e**

*Saving Lives through Innovation and Education*