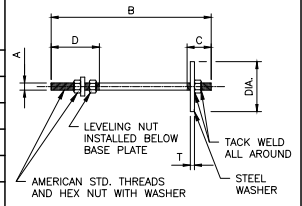
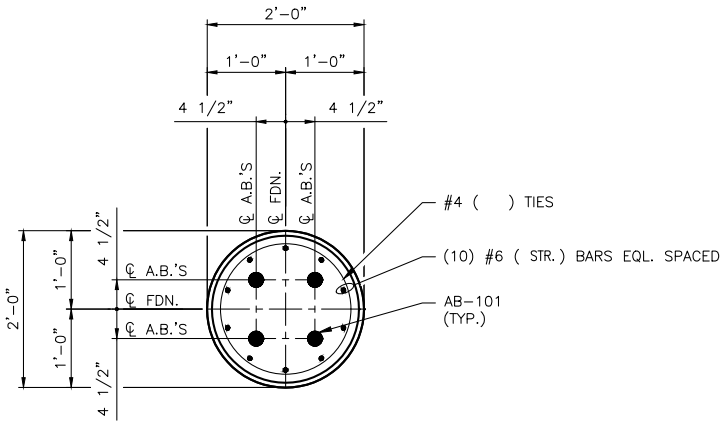


ANCHOR BOLT SCHEDULE

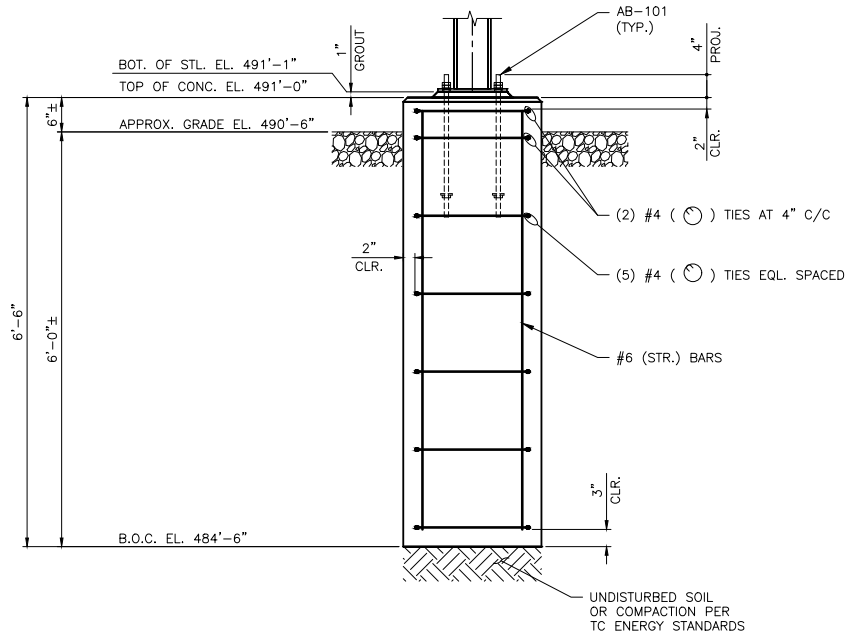
ANCHOR BOLT NO.	DIMENSIONS				STEEL WASHER DIAxT	NO. REQ'D
	A	B	C	D		
AB-101	3/4"	24"	4"	4"	2"x1/4"	28



- NOTES:
- CONTRACTOR SHALL FURNISH ALL MATERIAL.
 - ANCHOR BOLTS SHALL CONFORM TO ASTM F1554 GRADE 36, WITH UNC-2A THREADS.
 - ANCHOR BOLTS SHALL BE FURNISHED W/THREE ASTM A563, AMERICAN STANDARD, HEAVY HEX NUTS WITH UNC-2B THREADS.
 - ANCHOR BOLTS SHALL BE FURNISHED W/CUT WASHERS COMPATIBLE WITH THREADED SHANKS AND BOLT GRADE.
 - ANCHOR BOLTS, NUTS AND WASHERS SHALL BE GALVANIZED.



PLAN



ELEVATION

CONCRETE FOUNDATION (CF-2)

ONE (1) REQUIRED

