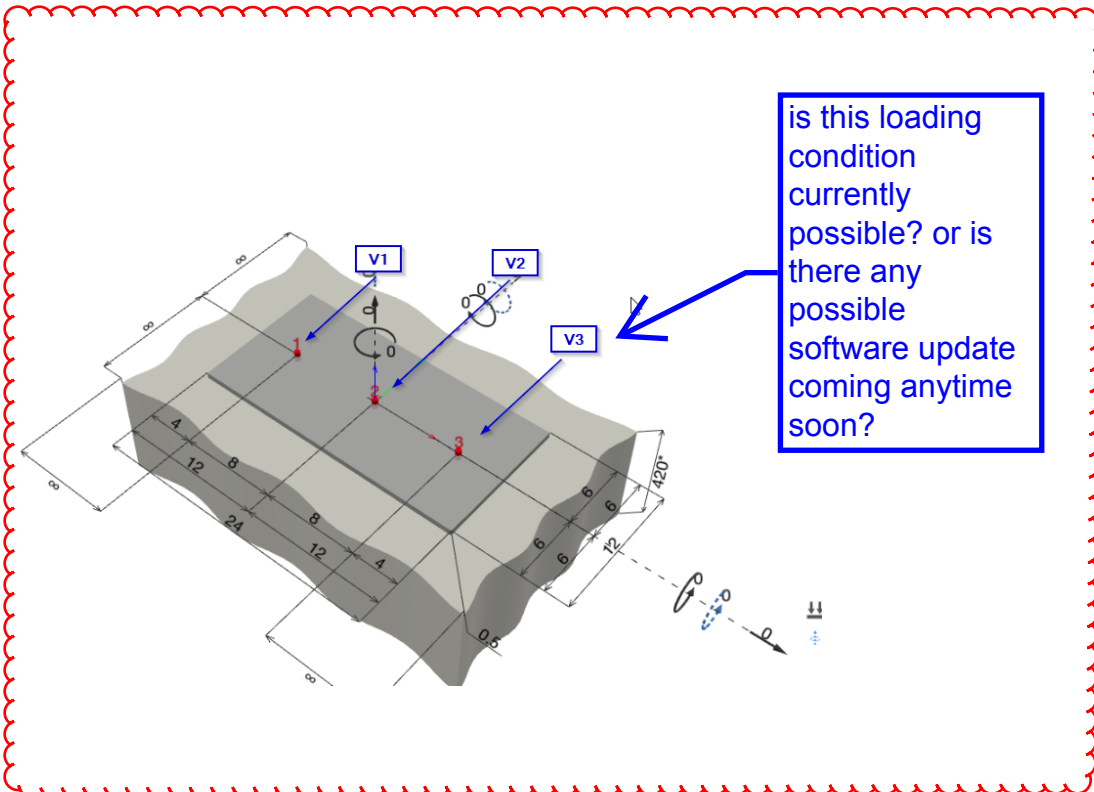
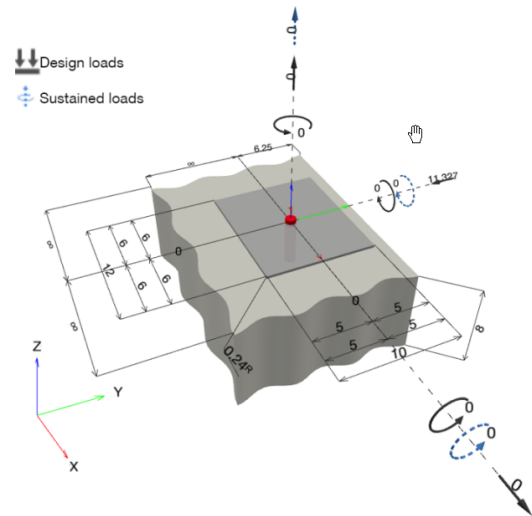


(ACI 318-14, Chapter 17, Figure R17.4.2.1, page 236)

When anchors are spaced adequately, we can analyze anchors separately



is this loading condition currently possible? or is there any possible software update coming anytime soon?