

ENGINEERING JUDGMENT FIRESTOP DETAIL

THIS ENGINEERING JUDGMENT REPRESENTS A FIRESTOP SYSTEM THAT WOULD BE EXPECTED TO PASS THE STATED RATINGS IF TESTED

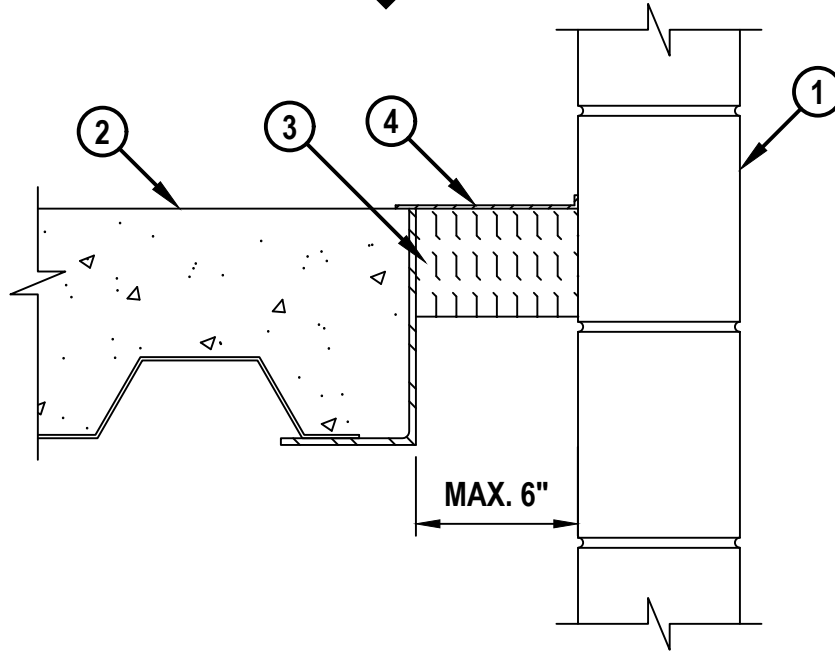
PROJECT : SAN JOAQUIN COUNTY DISTRICT ATTORNEY OFFICE
 ADDRESS : 6 S. EL DORADO, STOCKTON, CA 95206

ISSUED TO : DREYFUSS + BLACKFORD ARCHITECTURE

Ratings

F-RATING = 2-HR. (SEE NOTE NO. 3 BELOW)

CROSS-SECTIONAL VIEW



1. CONCRETE WALL OR UL/cUL CLASSIFIED CONCRETE BLOCK WALL ASSEMBLY (MINIMUM 6" THICK) (2-HR. FIRE-RATING).
2. CONCRETE FLOOR OVER METAL DECKING ASSEMBLY (MINIMUM 5-1/2" THICK) (2-HR. FIRE-RATING) WITH CONTINUOUS SOLID STEEL POUR STOP.
3. MINIMUM 5" THICKNESS MINERAL WOOL SAFIING (MIN. 4 PCF DENSITY) COMPRESSED 50%, FLUSH WITH TOP OF FLOOR.
4. MINIMUM 1/8" (WET) THICKNESS HILTI CFS-SP WB FIRESTOP JOINT SPRAY TO COMPLETELY COVER MINERAL WOOL, OVERLAPPING MINIMUM 1/2" ONTO ADJACENT SURFACES.

NOTES :

1. MAXIMUM WIDTH OF JOINT = 6".
2. T-RATING MAY NOT EQUAL F-RATING IN ACCORDANCE WITH APPLICABLE TEST METHOD.
3. FIRE-RATING OF ASSEMBLY IS DEPENDENT UPON THE PERFORMANCE OF STEEL POUR STOP UNDER FIRE CONDITIONS.

Referenced Tested Systems
 (REFERENCE : UL/cUL SYSTEM NO. FW-D-1013)

Project Application Details
 CS0279459
 Applicable Test Method
 UL 2079



HILTI, Inc.
 Plano, Texas USA (800) 879-8000
 Designed by Hilti FPE
 Jessica Starks

Drafter
DS

Sheet 1 of 1
 Scale 9/64" = 1"
 Date Jan. 28, 2025

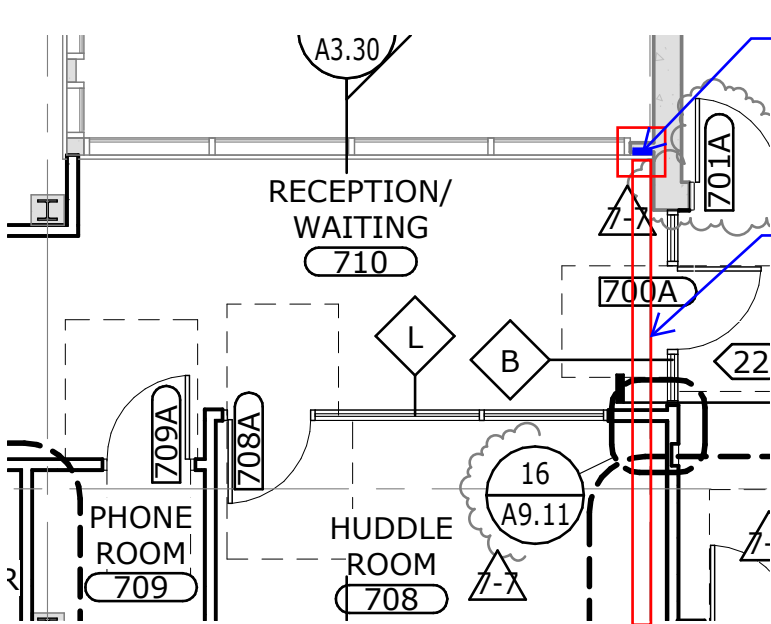
Drawing No.
663569a



Existing accordion fabric runs up the the entire 7 story building at the seismic joint. We have no spec on it.

Can the Hilti firestop joint spray lap up the accordion fabric?

Hilti firestop joint spray



ACCORDIAN FABRIC

SEISMIC JOINT