

**FIRE-RATED JOINT THROUGH CONCRETE WALL OR BLOCK WALL ASSEMBLY**

ASSEMBLY RATING = 2-HR.

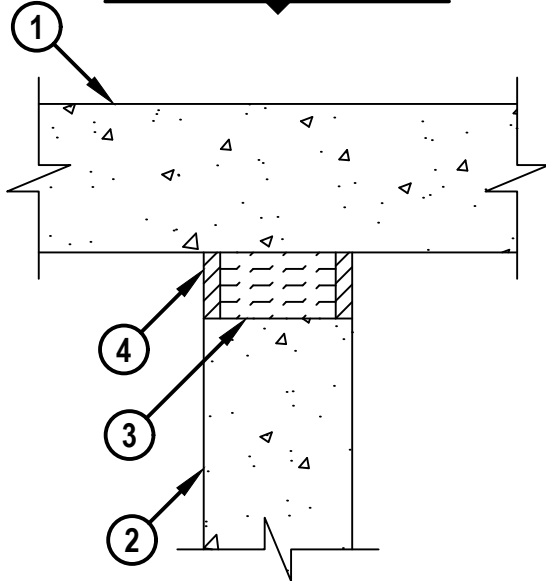
CLASS II MOVEMENT CAPABILITIES - 12.5% COMPRESSION OR EXTENSION

L-RATING AT AMBIENT = LESS THAN 1 CFM / LIN FT

L-RATING AT 400°F = LESS THAN 1 CFM / LIN FT

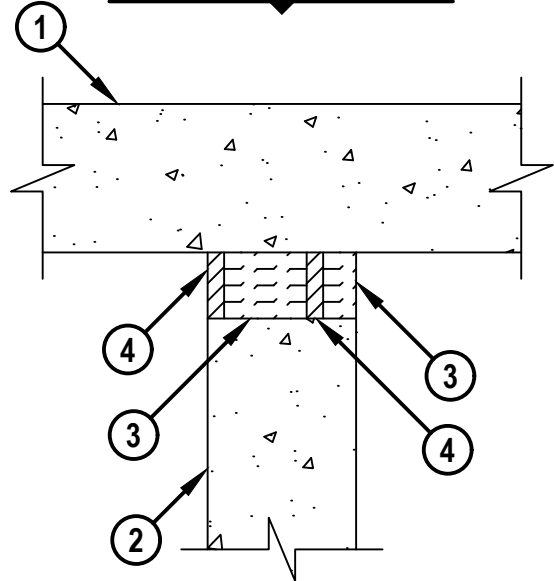
HWD0930a.051721

**CROSS-SECTIONAL VIEW**



**CONFIGURATION A**

**CROSS-SECTIONAL VIEW**



**CONFIGURATION B**

1. CONCRETE FLOOR ASSEMBLY (2-HR. FIRE-RATING) :
  - A. LIGHTWEIGHT OR NORMAL WEIGHT CONCRETE FLOOR (MINIMUM 4-1/2" THICK).
  - B. ANY UL/cUL CLASSIFIED PRECAST (HOLLOW-CORE) CONCRETE FLOOR (MINIMUM 6" THICK).
2. CONCRETE WALL ASSEMBLY (2-HR. FIRE-RATING) :
  - A. LIGHTWEIGHT OR NORMAL WEIGHT CONCRETE WALL (MINIMUM 4-1/2" THICK).
  - B. ANY UL/cUL CLASSIFIED CONCRETE BLOCK WALL.
3. MINERAL WOOL SAFING (MIN. 4 PCF DENSITY) COMPRESSED 50% (SEE TABLE BELOW). FOR CONFIGURATION B, INSTALL MINIMUM 1" THICKNESS MINERAL WOOL FLUSH WITH INACCESSIBLE SIDE OF WALL.
4. HILTI CP 606 FLEXIBLE FIRESTOP SEALANT (SEE TABLE BELOW).

MAX JOINT WIDTH	MIN THICKNESS OF MINERAL WOOL INSTALLED BETWEEN LAYERS OF SEALANT	MIN DEPTH HILTI CP 606
2"	2"	1/2"
1"	2-1/2"	1/4"



HILTI, Inc.  
Plano, Texas USA (800) 879-8000

Sheet 1 of 1  
Scale 11/64" = 1"  
Date May 17, 2021

Drawing No.  
**HWD 0930a**