

UL/cUL SYSTEM NO. W-L-1054

## METAL PIPE THROUGH GYPSUM WALL ASSEMBLY

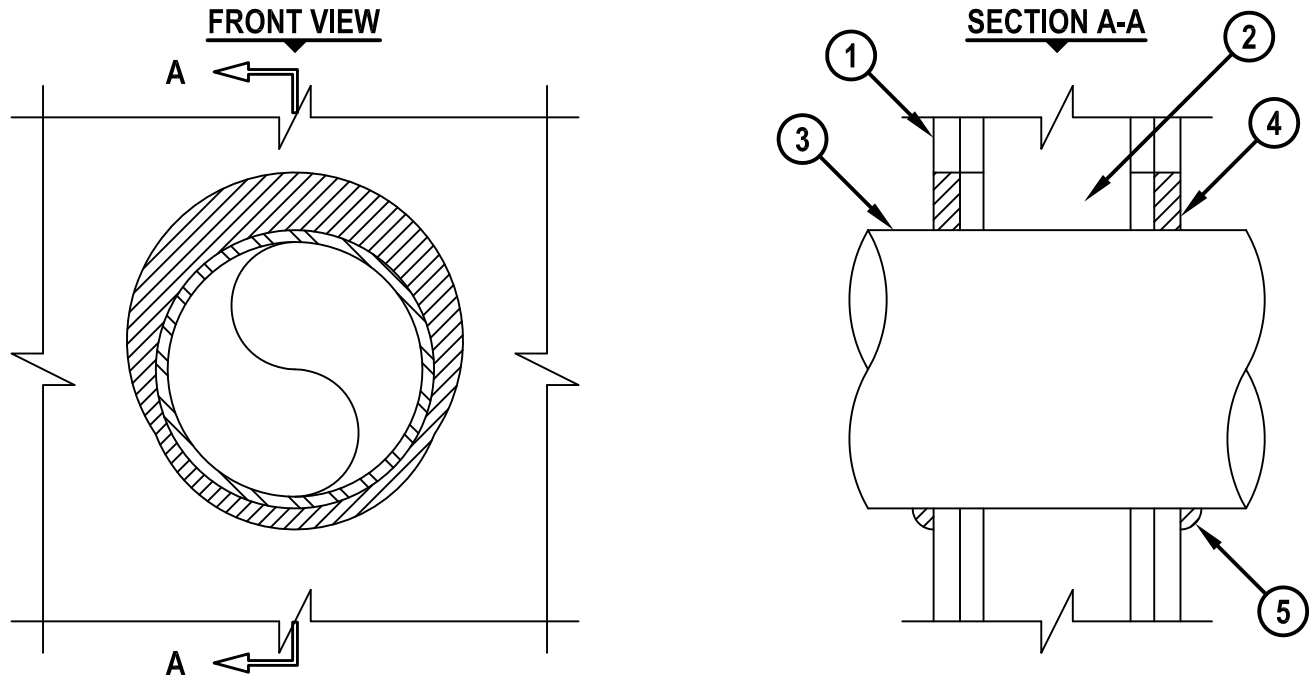
F-RATING = 1-HR. OR 2-HR.

T-RATING = 0-HR.

L-RATING AT AMBIENT = LESS THAN 1 CFM / SQ FT

L-RATING AT 400°F = LESS THAN 1 CFM / SQ FT

WL 1054u.041316



1. GYPSUM WALL ASSEMBLY (UL/cUL CLASSIFIED U300 OR U400 SERIES) (1-HR. OR 2-HR. FIRE-RATING) (2-HR. SHOWN).
2. [NOT SHOWN] WOOD STUDS TO CONSIST OF NOMINAL 2" x 4" LUMBER. STEEL STUDS TO BE MINIMUM 2-1/2" WIDE.
3. PENETRATING ITEM TO BE ONE OF THE FOLLOWING :
  - A. MAXIMUM 30" DIAMETER STEEL PIPE (SCHEDULE 10 OR HEAVIER).
  - B. MAXIMUM 30" DIAMETER CAST IRON PIPE.
  - C. MAXIMUM 6" NOMINAL DIAMETER COPPER PIPE.
  - D. MAXIMUM 6" NOMINAL DIAMETER STEEL CONDUIT.
  - E. MAXIMUM 4" NOMINAL DIAMETER EMT.
4. MINIMUM 5/8" DEPTH HILTI FS-ONE MAX INTUMESCENT FIRESTOP SEALANT.
5. MINIMUM 1/2" BEAD HILTI FS-ONE MAX INTUMESCENT FIRESTOP SEALANT APPLIED AT POINT OF CONTACT.

**NOTES :** 1. MAXIMUM DIAMETER OF OPENING :  
A. 32-1/4" FOR STEEL STUD WALLS.  
B. 14-1/2" FOR WOOD STUD WALLS.  
2. ANNULAR SPACE = MINIMUM 0", MAXIMUM 2-1/4".  
3. PIPE MAY BE INSTALLED WITH CONTINUOUS POINT OF CONTACT.



HILTI, Inc.  
Plano, Texas USA (800) 879-8000

Sheet	1 of 1
Scale	7/32" = 1"
Date	Apr. 13, 2016

Drawing No.

**WL  
1054u**

*Saving Lives through Innovation and Education*