

UL/cUL SYSTEM NO. FW-D-1141

## FIRE-RATED JOINT THROUGH CONCRETE FLOOR ASSEMBLY

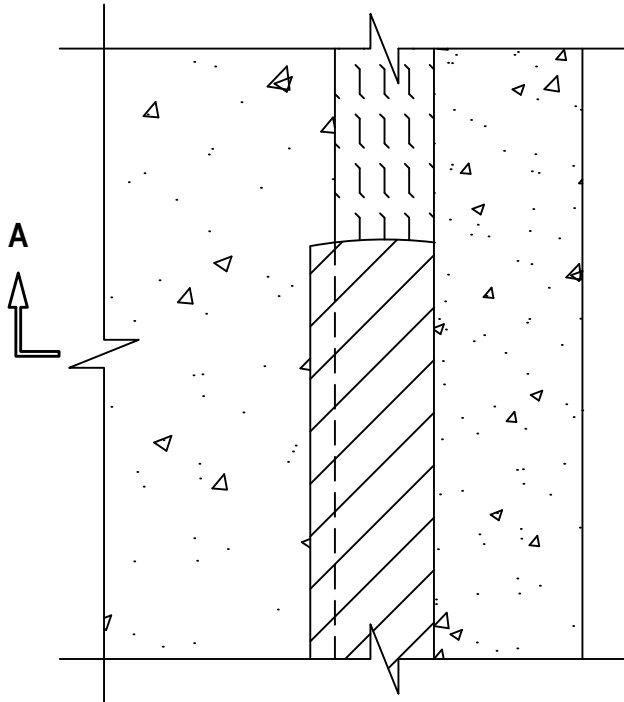
ASSEMBLY RATING = 3-HR.

CLASS II MOVEMENT CAPABILITIES - 12.5% COMPRESSION AND 4% EXTENSION

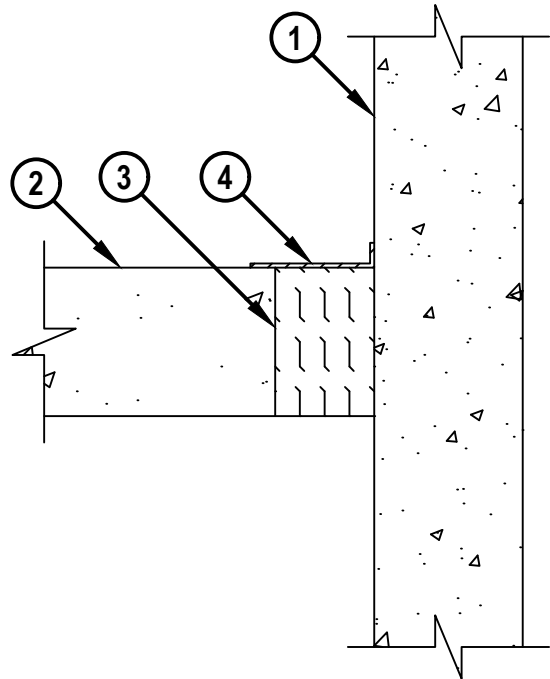
L-RATING AT AMBIENT = LESS THAN 1 CFM / LIN FT

L-RATING AT 400°F = LESS THAN 1 CFM / LIN FT

TOP VIEW



SECTION A-A



FWD1141a.010522

### 1. CONCRETE WALL ASSEMBLY :

A. LIGHTWEIGHT OR NORMAL WEIGHT CONCRETE WALL (MINIMUM 4-1/2" THICK).

B. ANY UL/cUL CLASSIFIED CONCRETE BLOCK WALL.

2. LIGHTWEIGHT OR NORMAL WEIGHT CONCRETE FLOOR ASSEMBLY (MINIMUM 4-1/2" THICK).

3. MINIMUM 4-1/2" THICKNESS MINERAL WOOL SAFING (MIN. 4 PCF DENSITY) COMPRESSED MINIMUM 42%.

4. MINIMUM 1/8" (WET) THICKNESS HILTI CFS-SP SIL FIRESTOP SILICONE JOINT SPRAY APPLIED WITHIN THE JOINT, FLUSH WITH TOP SURFACE OF FLOOR AND OVERLAPPING MINIMUM 3/4" ONTO THE TOP SURFACE OF THE FLOOR AND SIDE OF THE WALL.

**NOTE : MAXIMUM WIDTH OF JOINT = 3".**



Hilti Firestop Systems

HILTI, Inc.  
Plano, Texas USA (800) 879-8000

Sheet 1 of 1

Scale 11/64" = 1"

Date Jan. 05, 2022

Drawing No.

**FWD  
1141a**

*Saving Lives through Innovation and Education*