

CLOSET FLANGE IN WOOD FLOOR/CEILING ASSEMBLY

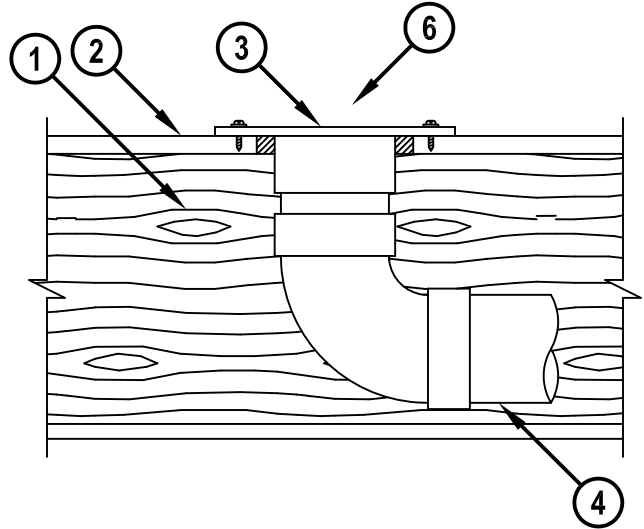
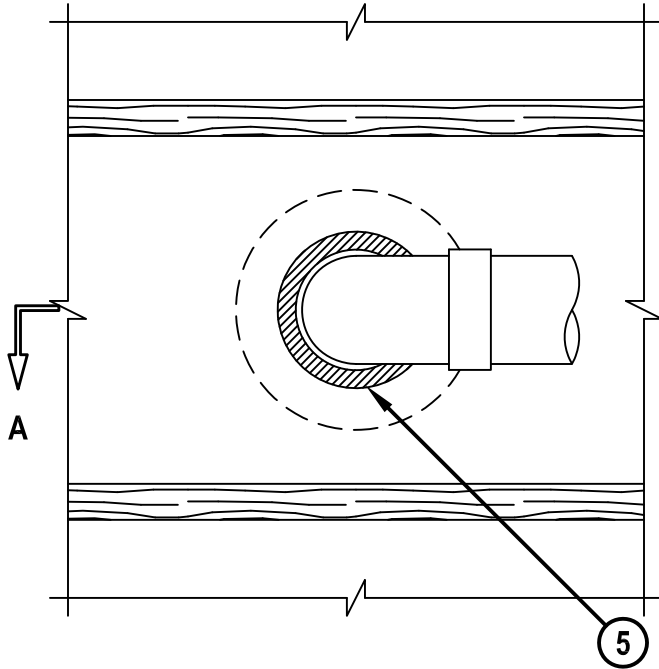
F-RATING = 1-HR.

T-RATING = 0-HR.

FC1134b.010715

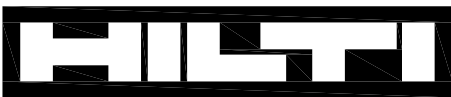
BOTTOM VIEW

SECTION A-A



1. WOOD FLOOR/CEILING ASSEMBLY (UL/cUL CLASSIFIED L500 SERIES) (1-HR. FIRE-RATING).
2. LUMBER OR PLYWOOD SUBFLOOR WITH FINISH FLOOR OF LUMBER, PLYWOOD, OR FLOOR TOPPING MIXTURE.
3. CAST IRON CLOSET FLANGE SIZED TO ACCOMMODATE DRAIN PIPE. CLOSET FLANGE SECURED TO PLYWOOD SUBFLOOR WITH STEEL SCREWS.
4. MAXIMUM 4" NOMINAL DIAMETER CAST IRON PIPE DRAIN PIPING AND 90° ELBOW.
5. MINIMUM 3/4" DEPTH HILTI FS-ONE MAX OR FS-ONE INTUMESCENT FIRESTOP SEALANT OR CP 606 FLEXIBLE FIRESTOP SEALANT.
6. (NOT SHOWN). FLOOR MOUNTED VITREOUS CHINA WATER CLOSET.

**NOTES: 1. MAXIMUM DIAMETER OF OPENING = 5".
2. ANNULAR SPACE = NOMINAL 1/4".**



Hilti Firestop Systems

HILTI, Inc.
Tulsa, Oklahoma USA (800) 879-8000

Sheet	1 of 1
Scale	1/8" = 1"
Date	Jan. 07, 2015

Drawing No.

**FC
1134b**