

CABLE BUNDLE THROUGH GYPSUM WALL ASSEMBLY

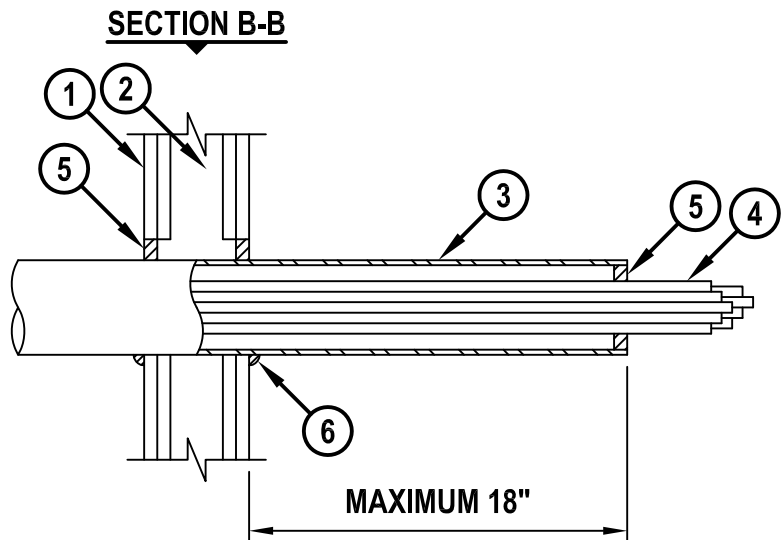
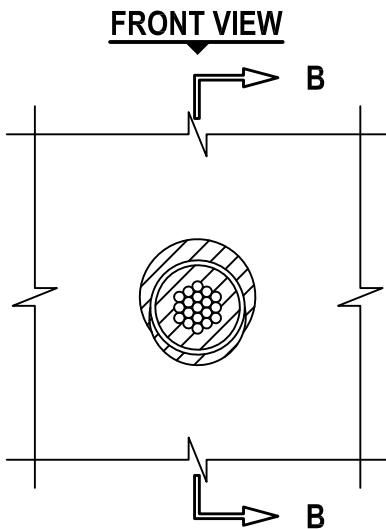
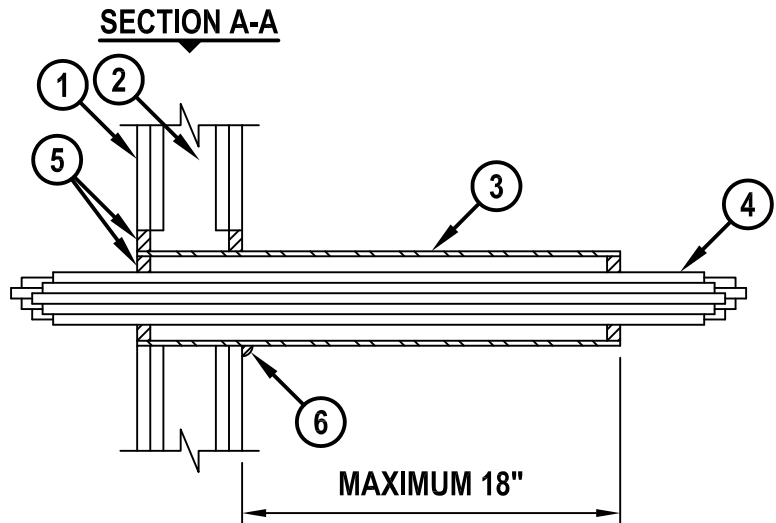
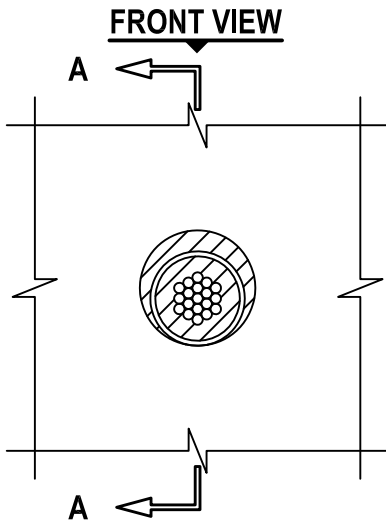
F-RATING = 1-HR. OR 2-HR.

T-RATING = 0-HR. OR 3/4-HR.

L-RATING AT AMBIENT = 15 CFM / SQ FT

L-RATING AT 400° F = 8 CFM / SQ FT

WL3065ad.041316



1. GYPSUM WALL ASSEMBLY (UL/cUL CLASSIFIED U300, U400, OR V400) (1-HR. OR 2-HR. FIRE-RATING) (2-HR. SHOWN).
2. [NOT SHOWN] WOOD STUDS TO CONSIST OF NOMINAL 2" x 4" LUMBER. STEEL STUDS TO BE MINIMUM 2-1/2" WIDE.
3. [OPTIONAL] MAXIMUM 4" NOMINAL DIAMETER EMT, STEEL PIPE (SCHEDULE 5 OR HEAVIER) OR 28 GA. GALVANIZED STEEL SLEEVE (SEE NOTE NO. 6 BELOW).



HILTI, Inc.
Plano, Texas USA (800) 879-8000

Sheet	1 of 2
Scale	7/64" = 1"
Date	Apr. 13, 2016

Drawing No.

WL
3065ad

CABLE BUNDLE THROUGH GYPSUM WALL ASSEMBLY

F-RATING = 1-HR. OR 2-HR.

T-RATING = 0-HR. OR 3/4-HR.

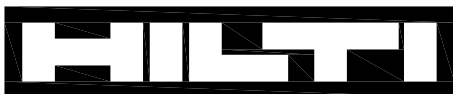
L-RATING AT AMBIENT = 15 CFM / SQ FT

L-RATING AT 400° F = 8 CFM / SQ FT

WL3065ad.041316

4. CABLE BUNDLE TO CONSIST OF ANY COMBINATION OF THE FOLLOWING (SEE NOTE NO. 5 BELOW) :
- A. MAXIMUM 7/C NO. 12 AWG POWER CABLE WITH PVC JACKET.
 - B. MAXIMUM 25 PAIR NO. 24 AWG TELEPHONE CABLE WITH PVC JACKET.
 - C. MAXIMUM 1/2" DIAMETER RG/U COAXIAL CABLE WITH PVC JACKET.
 - D. MAXIMUM 3/C NO. 8 AWG METAL-CLAD CABLE.
 - E. MAXIMUM 3/C (+GROUND) NO. 8 AWG COPPER CONDUCTOR CABLE (ROMEX).
 - F. MAXIMUM 5/8 DIAMETER FIBER-OPTIC CABLE WITH PVC JACKET.
 - G. MAXIMUM 3/4" DIAMETER COPPER GROUND CABLE WITH OR WITHOUT PVC JACKET.
 - H. MAXIMUM 1-1/4" DIAMETER SINGLE OR MULTIPLE CONDUCTOR TYPE MI CABLE (SEE NOTE NO. 4 BELOW).
 - I. ANY CABLES, METAL-CLAD CABLES, OR ARMORED CABLES CURRENTLY LISTED UNDER THE THROUGH PENETRATING PRODUCTS CATEGORY.
 - J. MAXIMUM 4/C (+GRND) NO. 300 KCMIL ALUMINUM SER CABLE.
 - K. MAXIMUM 4 PAIR NO. 22 AWG CAT 5 OR CAT 6 CABLE.
 - L. MAXIMUM RG 6/U COAXIAL CABLE WITH FLUORINATED ETHYLENE JACKET.
5. MINIMUM 5/8" DEPTH HILTI FS-ONE MAX INTUMESCENT FIRESTOP SEALANT, CP 606 FLEXIBLE FIRESTOP SEALANT, OR CP 618 FIRESTOP PUTTY STICK.
6. MINIMUM 1/2" BEAD HILTI FS-ONE MAX INTUMESCENT FIRESTOP SEALANT, CP 606 FLEXIBLE FIRESTOP SEALANT, OR CP 618 FIRESTOP PUTTY STICK APPLIED AT WALL/SLEEVE INTERFACE WHEN STEEL SLEEVE EXTENDS BEYOND ONE OR BOTH SIDES OF WALL.

- NOTES :
- 1. MAXIMUM DIAMETER OF OPENING WITH SLEEVE = 5-1/2".
 - 2. MAXIMUM DIAMETER OF OPENING WITHOUT SLEEVE = 4".
 - 3. ANNULAR SPACE = MINIMUM 0", MAXIMUM 1".
 - 4. A MINIMUM 1/8" SEPARATION SHOULD BE MAINTAINED BETWEEN MI CABLES AND ANY OTHER TYPES OF CABLE.
 - 5. CABLES TO FILL MAXIMUM 45% OF CROSS-SECTIONAL AREA OF OPENING.
 - 6. WHEN SCHEDULE 5 STEEL PIPE OR EMT IS USED, OPEN ENDED SLEEVE MAY EXTEND UP TO 18" BEYOND WALL SURFACE. AS AN OPTION, SCHEDULE 5 STEEL PIPE OR EMT SLEEVE MAY EXTEND CONTINUOUSLY BEYOND ONE WALL SURFACE.
 - 7. WHEN SLEEVE IS CONTINUOUS ON ONE SIDE OF WALL, THE CABLE FILL MAY BE 0% TO 45% AND THE MAXIMUM ANNULAR SPACE IS NOT LIMITED.
 - 8. [OPTIONAL - NOT SHOWN] MINERAL WOOL (MIN. 4 PCF DENSITY) TIGHTLY PACKED AND RECESSED TO ACCOMMODATE FIRESTOP SEALANT OR PUTTY MAY BE USED AS BACKING MATERIAL.



Hilti Firestop Systems

HILTI, Inc.
Plano, Texas USA (800) 879-8000

Sheet	2 of 2
Scale	-
Date	Apr. 13, 2016

Drawing No.

**WL
3065ad**