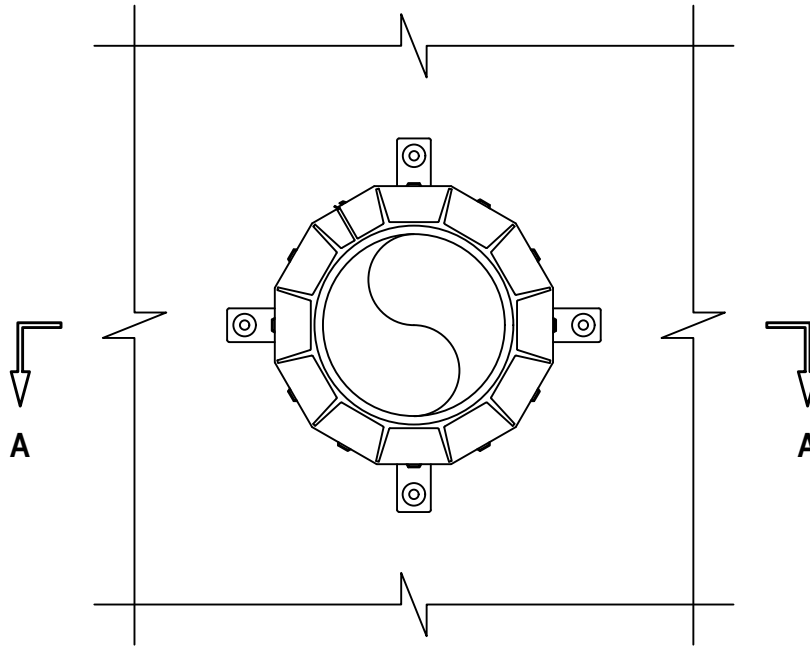


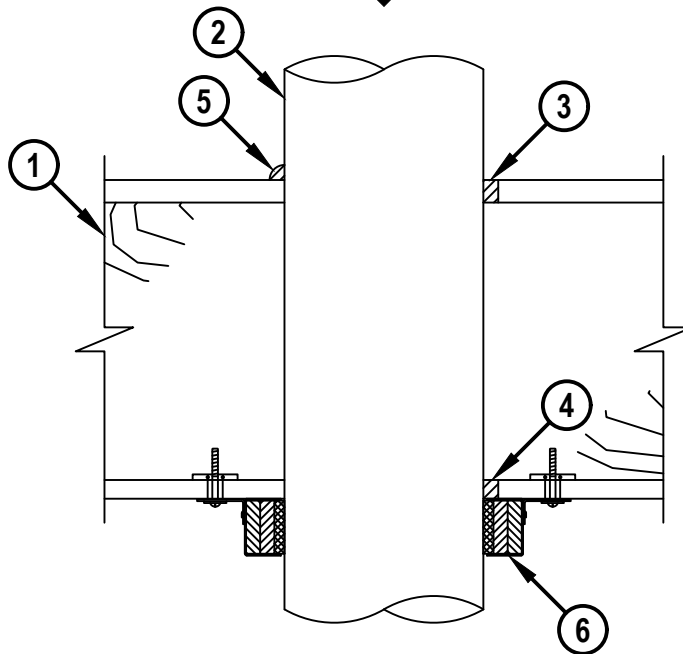
UL/cUL SYSTEM NO. F-C-2515  
**PLASTIC PIPE THROUGH WOOD FLOOR/CEILING ASSEMBLY**

F-RATING = 1-HR.  
T-RATING = 1-HR.

**BOTTOM VIEW**



**SECTION A-A**



FC2515a.010220



HILTI, Inc.  
Plano, Texas USA (800) 879-8000

Sheet	1 of 2
Scale	5/32" = 1"
Date	Jan. 02, 2020

Drawing No.  
**FC  
2515a**

*Saving Lives through Innovation and Education*

**PLASTIC PIPE THROUGH WOOD FLOOR/CEILING ASSEMBLY**

F-RATING = 1-HR.

T-RATING = 1-HR.

FC2515a.010220

1. WOOD FLOOR/CEILING ASSEMBLY (UL/cUL CLASSIFIED L500 SERIES) (1-HR. FIRE-RATING) :
  - A. LUMBER OR PLYWOOD SUBFLOOR WITH FINISH FLOOR OF LUMBER, PLYWOOD, OR FLOOR TOPPING MIXTURE.
2. PENETRATING ITEM TO BE ONE OF THE FOLLOWING :
  - A. MAXIMUM 6" NOMINAL DIAMETER PVC PLASTIC PIPE (SCHEDULE 40) (CELLULAR CORE OR SOLID CORE) (CLOSED OR VENTED PIPING SYSTEM).
  - B. MAXIMUM 6" NOMINAL DIAMETER CPVC PLASTIC PIPE (SDR 13.5) (CLOSED OR VENTED PIPING SYSTEM).
  - C. MAXIMUM 6" NOMINAL DIAMETER PVC CONDUIT INSTALLED IN ACCORDANCE WITH THE NATIONAL ELECTRIC CODE (NFPA 70).
3. MINIMUM 3/4" DEPTH HILTI FS-ONE MAX INTUMESCENT FIRESTOP SEALANT FLUSH WITH TOP SURFACE OF FLOOR.
4. MINIMUM 5/8" DEPTH HILTI FS-ONE MAX INTUMESCENT FIRESTOP SEALANT FLUSH WITH BOTTOM SURFACE OF CEILING.
5. MINIMUM 1/2" BEAD HILTI FS-ONE MAX INTUMESCENT FIRESTOP SEALANT APPLIED AT POINT OF CONTACT ON THE TOP SURFACE OF FLOOR.
6. HILTI CP 643N FIRESTOP COLLAR WITH FASTENING HOOKS (SEE TABLE BELOW). EACH FASTENING HOOK OF FIRESTOP COLLAR SECURED TO CEILING WITH MINIMUM 3/16" DIAMETER STEEL TOGGLER BOLTS WITH MINIMUM 3/4" STEEL WASHERS.

NOMINAL PIPE DIAMETER	PRODUCT DESCRIPTION	NO. OF FASTENING HOOKS
1-1/2"	CP 643 50/1.5" N	2
2"	CP 643 63/2" N	2
3"	CP 643 90/3" N	3
4"	CP 643 110/4" N	3
6"	CP 643 160/6" N	4

NOTES : 1. DIAMETER OF OPENING TO BE 1" LARGER THAN NOMINAL DIAMETER OF PENETRATING ITEM.  
 2. ANNULAR SPACE = MINIMUM 0", MAXIMUM 1/2".



Hilti Firestop Systems

HILTI, Inc.  
 Plano, Texas USA (800) 879-8000

Sheet 2 of 2

Scale -

Date Jan. 02, 2020

Drawing No.

**FC  
2515a**