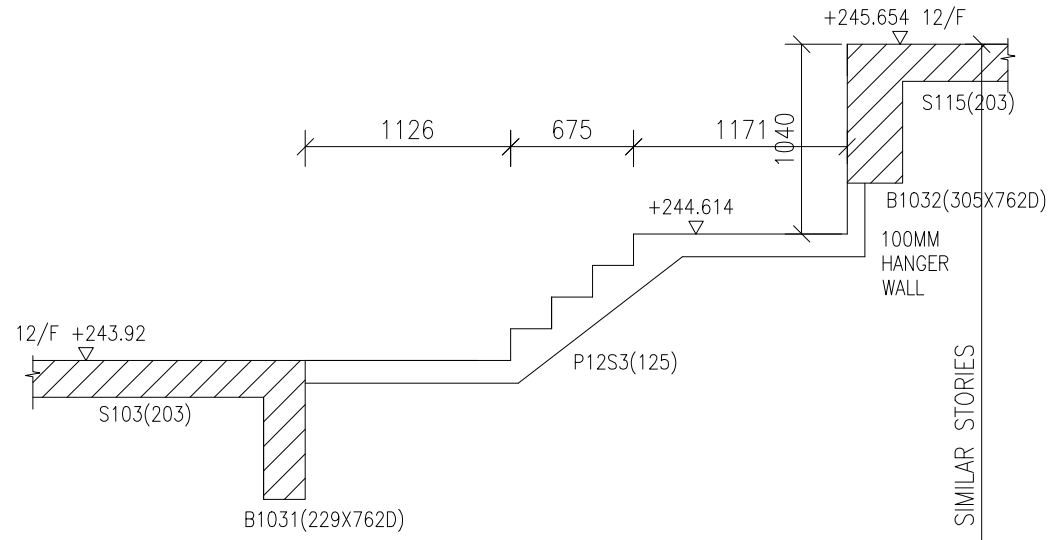
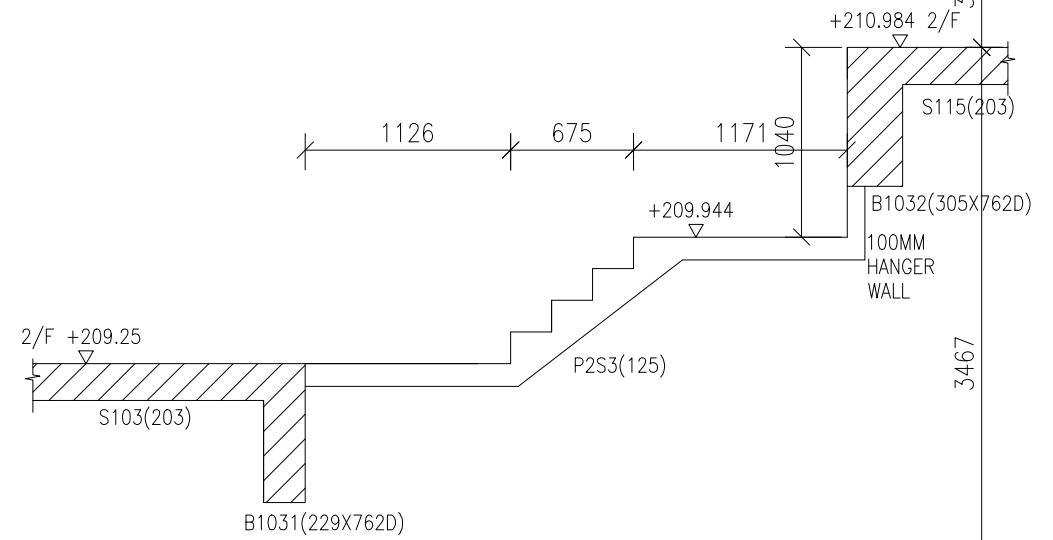


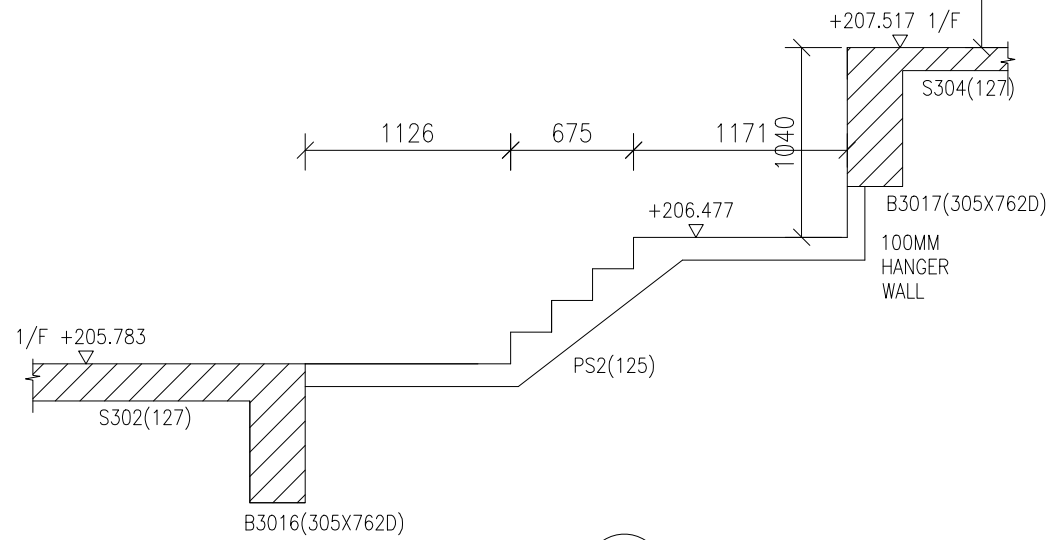
1hrs FRP



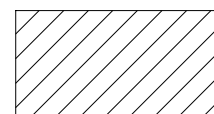
1hrs FRP



2hrs FRP



SECTION (B)



existing structure(20.7MPA compressive strength)