

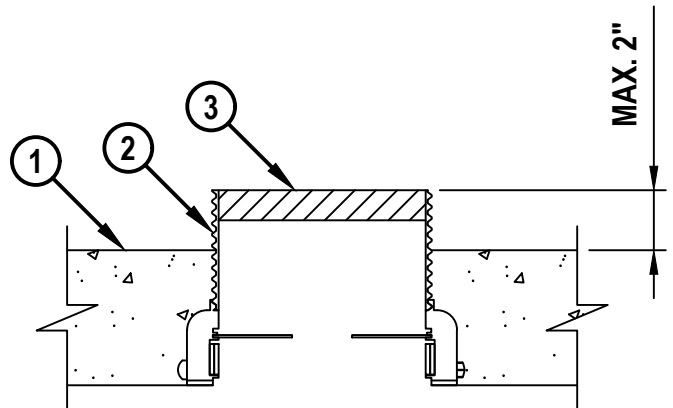
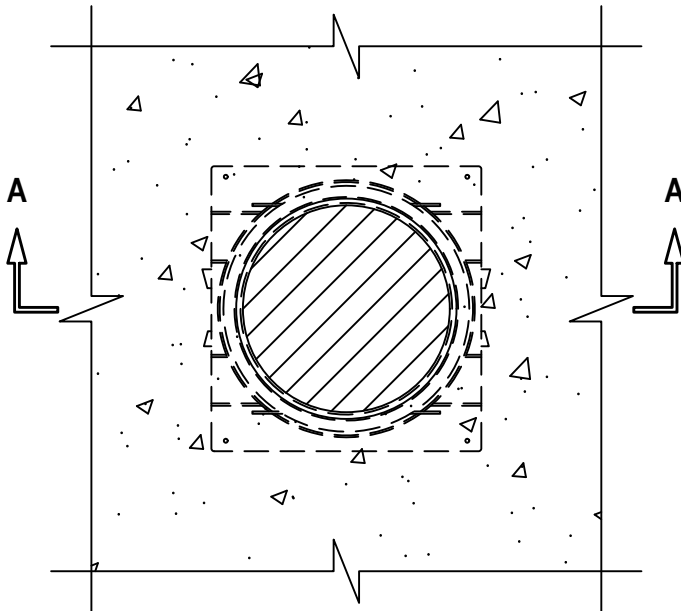
**BLANK OPENING THROUGH CONCRETE FLOOR OR CONCRETE FLOOR
OVER METAL DECKING**

F-RATING = 3-HR.

T-RATING = 0, 2-1/2 OR 3-HR. (SEE NOTES NO. 1 AND 2 BELOW)

TOP VIEW

SECTION A-A



FA0006g.091922

1. CONCRETE FLOOR ASSEMBLY (3-HR. FIRE-RATING) :
 - A. LIGHTWEIGHT OR NORMAL WEIGHT CONCRETE FLOOR (MINIMUM 4-1/2" THICK).
 - B. STEEL FLOOR UNIT/FLOOR ASSEMBLY - LIGHTWEIGHT OR NORMAL WEIGHT CONCRETE FLOOR (MINIMUM 4-1/2" THICK) OVER METAL DECKING.
2. HILTI CP 680-P [2", 3", 4" OR 6"] OR CP680-PX [2" OR 3"] CAST-IN FIRESTOP DEVICE, CAST OR GROUTED INTO CONCRETE FLOOR.
3. MINIMUM 1" DEPTH HILTI CP 618 FIRESTOP PUTTY STICK (SEE NOTE NO. 1 BELOW).
4. [OPTIONAL - NOT SHOWN] HILTI FIRESTOP DEVICE CAP MAY BE THREADED ONTO TOP OF FIRESTOP DEVICE.

NOTES : 1. AS AN ALTERNATE TO HILTI CP 618 FIRESTOP PUTTY STICK, MINIMUM 4" THICKNESS MINERAL WOOL (MINIMUM 4 PCF DENSITY) MAY BE TIGHTLY PACKED INTO CAST-IN PLACE FIRESTOP DEVICE FLUSH WITH TOP SURFACE OF DEVICE. WHEN MINERAL WOOL IS USED IN 3" DEVICES AND SMALLER T-RATING IS 3-HR., WHEN USED IN 4" AND 6" DEVICE T-RATING IS 0-HR.

2. WHEN HILTI CP 618 FIRESTOP PUTTY STICK IS USED IN 4" DEVICES AND SMALLER T-RATING IS 3-HR, WHEN USED IN 6" DEVICE T-RATING IS 2-1/2-HR.

3. FOR CONCRETE FLOOR OVER METAL DECKING APPLICATIONS, A METAL DECK ADAPTER KIT IS REQUIRED.



HILTI, Inc.
Plano, Texas USA (800) 879-8000

Sheet	1 of 1
Scale	5/32" = 1"
Date	Sep. 19, 2022

Drawing No.
**FA
0006g**