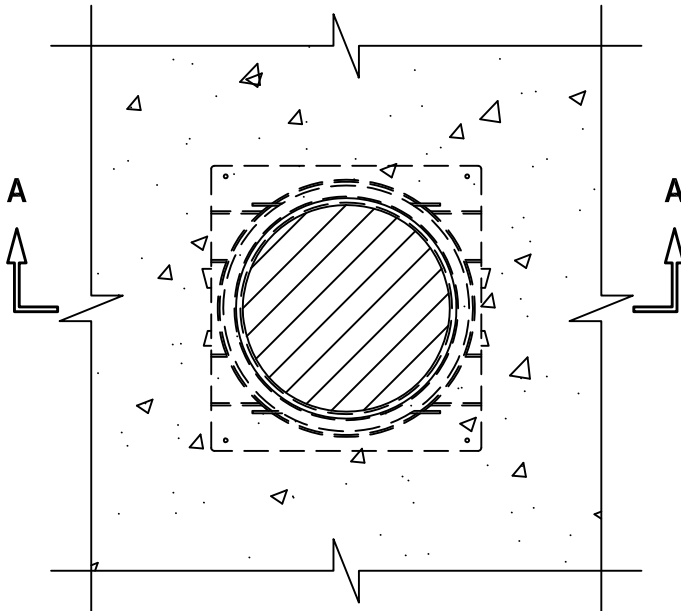


**BLANK OPENING THROUGH CONCRETE FLOOR OR CONCRETE FLOOR
OVER METAL DECKING**

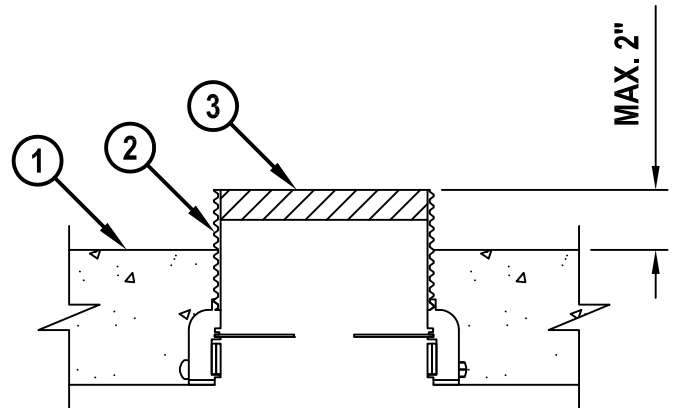
F-RATING = 3-HR.
T-RATING = 0, 2-1/2 OR 3-HR.

FA0006f.070215

TOP VIEW



SECTION A-A



1. CONCRETE FLOOR ASSEMBLY (3-HR. FIRE-RATING) :

- A. LIGHTWEIGHT OR NORMAL WEIGHT CONCRETE FLOOR (MINIMUM 4-1/2" THICK).
- B. STEEL FLOOR UNIT/FLOOR ASSEMBLY - LIGHTWEIGHT OR NORMAL WEIGHT CONCRETE FLOOR (MINIMUM 4-1/2" THICK) OVER METAL DECKING.

- 2. HILTI CP 680-P [2", 3", 4" OR 6"] OR CP680-PX [2" OR 3"] CAST-IN FIRESTOP DEVICE, CAST OR GROUTED INTO CONCRETE FLOOR.
- 3. MINIMUM 1" DEPTH HILTI CP 618 FIRESTOP PUTTY STICK (SEE NOTE NO. 1 BELOW).
- 4. [OPTIONAL - NOT SHOWN] HILTI FIRESTOP DEVICE CAP MAY BE THREADED ONTO TOP OF FIRESTOP DEVICE.

NOTES : 1. AS AN ALTERNATE TO HILTI CP 618 FIRESTOP PUTTY STICK, MINIMUM 4" THICKNESS MINERAL WOOL (MINIMUM 4 PCF DENSITY) MAY BE TIGHTLY PACKED INTO CAST-IN PLACE FIRESTOP DEVICE FLUSH WITH TOP SURFACE OF DEVICE.
2. FOR CONCRETE FLOOR OVER METAL DECKING APPLICATIONS, A METAL DECK ADAPTER KIT IS REQUIRED.



HILTI, Inc.
Tulsa, Oklahoma USA (800) 879-8000

Sheet	1 of 1
Scale	5/32" = 1"
Date	July 2, 2015

Drawing No.
**FA
0006f**