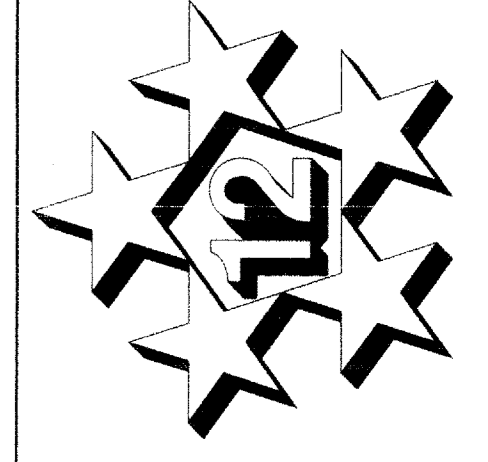


COPYRIGHT 2001
 This document is an instrument of service, and as such, remains the property of the Architect. Permission for use of this document is limited and can be extended only by written agreement with Klipp Colussy Jenks Dubois Architects, P.C.

Adams 12 Five Star Schools
MIDDLE SCHOOL No.9
 Thornton, Colorado



JVA
 CONSULTING ENGINEERS
 JVA, INCORPORATED
 1319 SPRUCE STREET
 BOULDER, COLORADO 80302
 PHONE: 303.444.1951
 FAX: 303.444.1957
 e-mail: info@jva.com

PROJECT'S PROJECT NUMBER
2000.094

ISSUE:
 CD Issue: January 28, 2002
 Record Documents: November 1, 2003

DRAWN: JWM

CHECKED: MOC

REVISIONS:

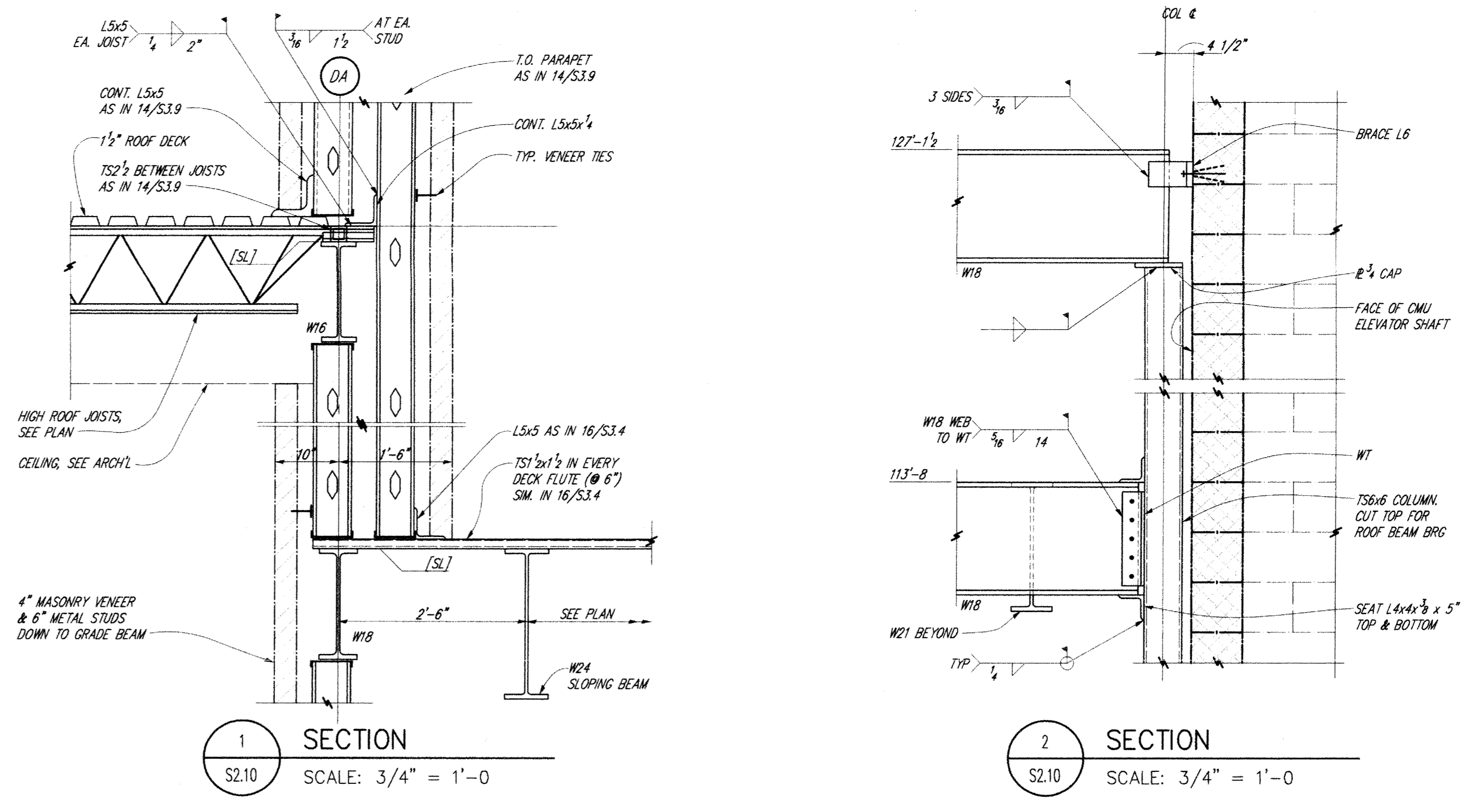
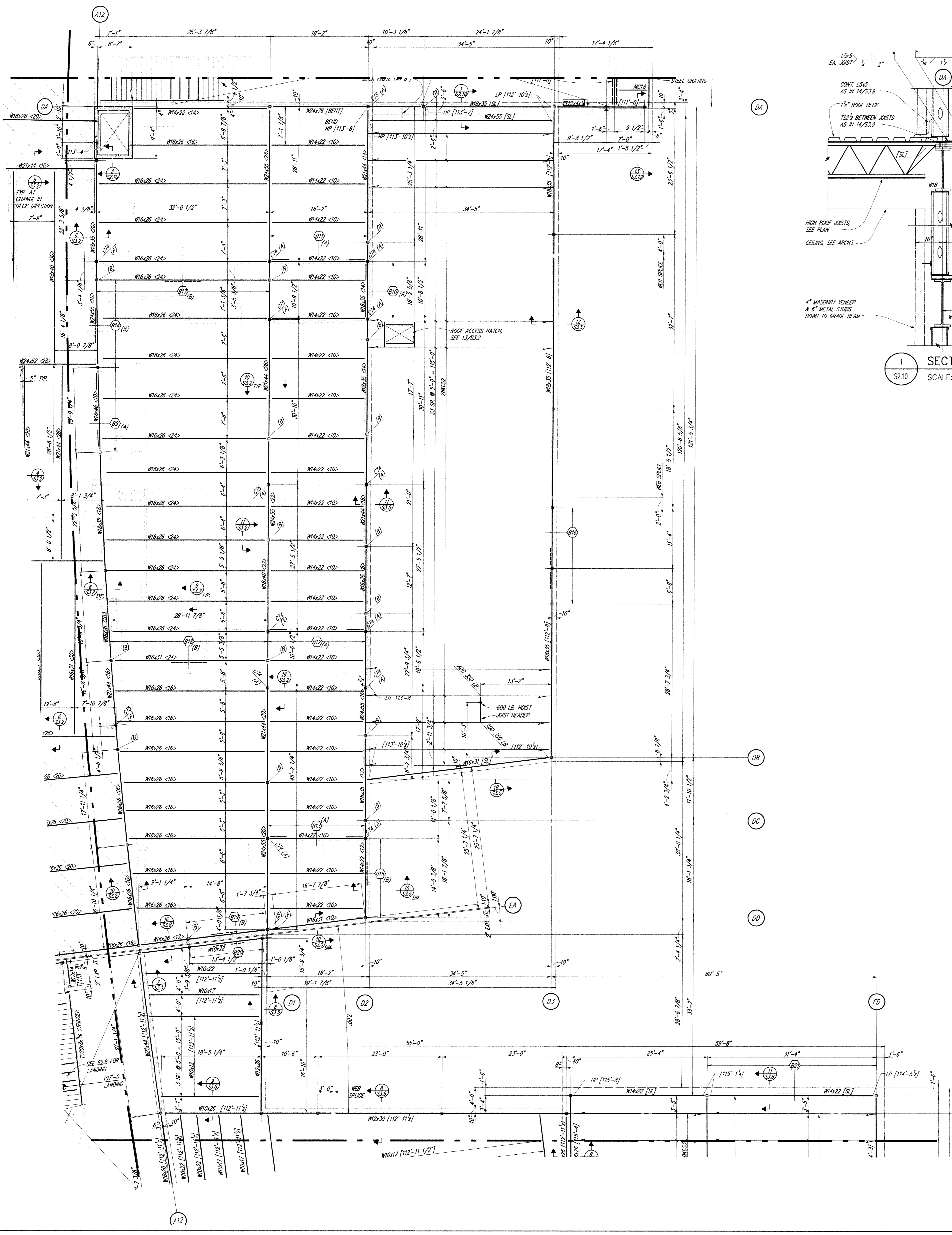
Adams 12 Five Star Schools
 Middle School #9
 Thornton, Colorado

PARTIAL SECOND FLOOR
 AND LOW ROOF FRAMING PLAN
 AREA "D"

November 1, 2003

S2.10

JVA #9376



TYPICAL FLOOR CONSTRUCTION
 4" (UNIFORM THICKNESS) LIGHT-WEIGHT CONCRETE SLAB ON 1 1/2" x 20 GA. COMPOSITE STEEL DECK (VALCHRAFT TYPE 1.5 H20) WITH PHOSPHORIZED TOP AND PAINTED BOTTOM. INSTALL DECK OVER THREE OR MORE SUPPORTS. REINFORCE SLAB WITH 6#6-WT.4#W1.4 W.W.F. AS IN B & 9/53.2

TYPICAL COMPOSITE FLOOR BEAMS
 (A) INDICATES NUMBER OF 3/4"x10"-3 LONG HEADED ANCHOR STUDS (H.A.S.) UNIFORMLY SPACED ON CENTERLINE OF MEMBER SHOWN. WHERE NUMBER OF H.A.S. ARE NOT NOTED, PROVIDE AT 24" O.C. SPACING, CENTERED ON FULL LENGTH OF BEAM, TYPICAL.
 X INDICATES UPWARD CAMBER AT MID-SPAN OF COMPOSITE FLOOR BEAM

INDICATES 4" (UNIFORM THICKNESS) LIGHT-WEIGHT CONCRETE SLAB ON 1 1/2" x 18 GA. COMPOSITE FLOOR DECK (VALCHRAFT TYPE 1.5 H18) WITH PHOSPHORIZED TOP AND PAINTED BOTTOM. INSTALL DECK OVER THREE OR MORE SUPPORTS. REINFORCE SLAB WITH 6#6-WT.4#W1.4 W.W.F. AT MID-DEPTH AS IN B & 9/53.2

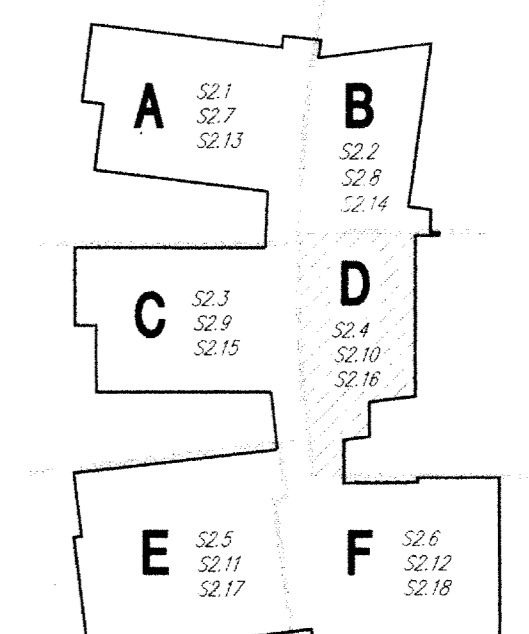
INDICATES 6" (UNIFORM THICKNESS) LIGHT-WEIGHT CONCRETE SLAB ON 1 1/2" x 18 GA. COMPOSITE FLOOR DECK (VALCHRAFT TYPE 1.5 H18) WITH PHOSPHORIZED TOP AND PAINTED BOTTOM. INSTALL DECK OVER THREE OR MORE SUPPORTS. REINFORCE SLAB WITH 6#6-WT.4#W1.4 W.W.F. AS IN B & 9/53.2 - TYPICAL AT MECHANICAL ROOM FLOORS.

TYPICAL ROOF DECK - AREAS A, B, C & D:
 1 1/2" x 20 GA. WIDE RIB GALVANIZED STEEL DECK (VALCHRAFT TYPE 1.5B) WITH 1 1/2" RIBBLE WEBS SPACED @ 24" AT SUPPORTS & EDGES (06/7) AND #10 TENS. SCREWS SPACED @ 16" AT SIDELAPS. INSTALL DECK OVER THREE OR MORE SUPPORTS. DECK TO RECEIVE FIREPROOFING AS REQUIRED PER ARCHV. DRAWINGS.

TYPICAL STAIR ASSEMBLY:
 CONCRETE FILLED STEEL PANS WITH CLOSED RISERS; STEEL PLATE OR ANGLE STRINGERS BOLTED TO CMU; SIDEWALLS WITH 4" WIDE ANCHORS SPACED @ 24" O.C. INTO DRAINED CELLS; FABRICATOR TO STIFFEN LANDINGS AS REQ'D; COORDINATE STAIR ASSEMBLIES AND DETAILS WITH ARCHV. DRAWINGS.

PARTIAL SECOND FLOOR & LOW ROOF FRAMING PLAN

- 6"x1'-0"
- (D) INDICATES DIAGONAL OR INVERTED CHEVRON-TYPE BRACED BAY; SEE SHEET S3.10
- (R) INDICATES RIGID FRAME; SEE SHEET S3.11
- COLUMN NOTES:
 ALL COLUMNS CONTINUOUS THROUGH THIS LEVEL FROM BELOW EXCEPT AS NOTED. COLUMN MARK (A) INDICATES COLUMN ABOVE THIS LEVEL ONLY; SEE SCHEDULE ON SHEET S3.1 (B) INDICATES COLUMN BELOW THIS LEVEL ONLY.
- FOR TYPICAL OPERABLE PARTITION ASSEMBLY & DETAILS, SEE SHEET S3.11
- INDICATES WELDED MOMENT CONNECTION AT RIGID FRAMES AS ON SHEET S3.11 OR W-FRAME SPICE (WITH PREPARED FLANGE ENDS) THROUGH AND PERPENDICULAR TO SUPPORTING W-FRAME FLANGES & WEB AS IN S3.1
- SECOND FLOOR:
 • TOP OF STEEL BEAM ELEVATION NOTED THUS: [XXX'-X"]
 • TOP OF FLOOR BEAM ELEVATION = [113'-8"] (4" BELOW TOP OF NEW FLOOR SLAB ELEVATION) UNLESS NOTED THUS: [XXX'-X"]
 • TOP OF STRUCTURAL MASONRY ELEMENT ELEVATION NOTED THUS: XXX'-X"
 • SEE ARCHV. & MECHV. DRAWINGS FOR SIZE, LOCATION, & DETAILS AT FLOOR OPENINGS AND PENETRATIONS NOT SHOWN ON THESE DRAWINGS.
- LOW ROOF:
 • TOP OF STEEL BEAM ELEVATION NOTED THUS: [XXX'-X"]
 • AT SLOPING [SL] BEAMS, HIGH POINT ELEVATION NOTED AS "HP" AND LOW POINT ELEVATION NOTED AS "LP"
 • TOP OF SLOPING ROOF BEAM END ELEVATION PERPENDICULAR TO JOIST = 2" BELOW TOP OF JOIST, TYPICAL UNLESS NOTED
 • TOP OF SLOPING ROOF BEAM END ELEVATION PARALLEL TO JOIST SPAN = TOP OF JOIST, TYPICAL UNLESS NOTED
 • JOIST BEARING ELEVATION ON MASONRY NOTED THUS: [B XXX'-X"] OR, T.O.M. SLOPES
 • TOP OF STRUCTURAL MASONRY WALL ELEVATION NOTED THUS: XXX'-X" OR, T.O.W. SLOPES
 • SEE ARCHV. & MECHV. DRAWINGS FOR SIZE, LOCATION, & DETAILS AT ROOF OPENINGS AND PENETRATIONS NOT SHOWN ON THESE DRAWINGS.



KEY PLAN
 SEE SHEET S2.2 FOR BUILDING LAYOUT