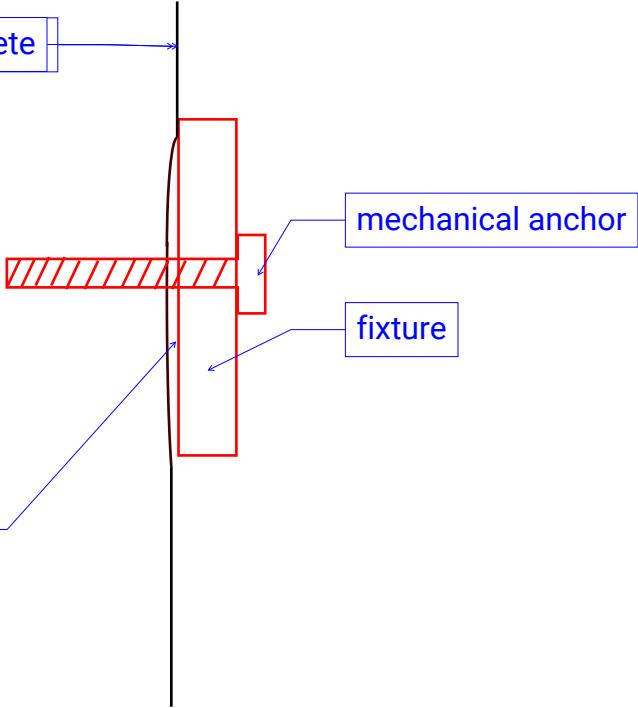


face of concrete



mechanical anchor

fixture

gap