

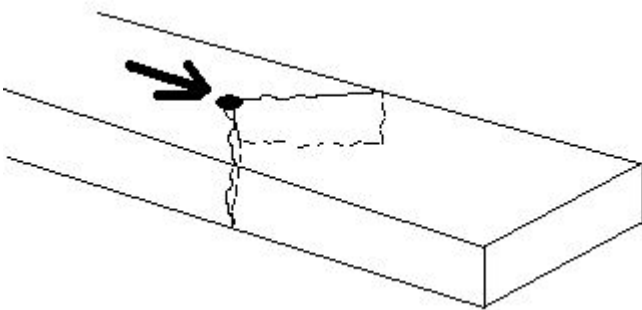
Question:

Towards "X-axis", if we keep the edge as infinity, the design works fine and is passing... But in case if we keep an edge -towards X-axis (edge distance any value 900mm, 2000mm, 5000mm etc etc.), we will have Concrete edge breakout failure?!

The difference between "with infinity" and "without infinity" is the following:

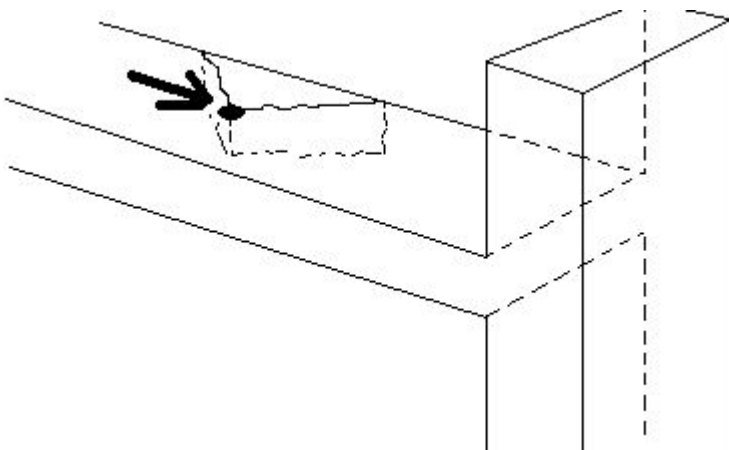
1. without infinity

If there is a beam, no matter how long, the maximum area for concrete edge failure is always the cross section of the beam. See figure below



2. with infinity

The situation would be the same as "without infinity". However, in PROIFIS Anchor "infinity" means that concrete edge failure is avoided in the direction where "infinity" is the value for edge distance. This is for example the situation as shown below. In this case, concrete edge failure could occur on one side of the beam and not in load direction, since concrete edge failure is avoided by the construction in this direction.



It is in the responsibility of the designer, whether the structure beyond the beam can take up the load.