

## Submittal

**Project No.:**  
**Project Name:**

**Submittal No:**  
**Revision No:**  
**Sent Date:**

**Owner:**

**Spec Section No:**

**Submittal Description:**

**Contractor:**  
MILLER-DAVIS COMPANY

A/E please verify items underlined in blue is acceptable. the model numbers of items don't match the spec. please verify enlarged kick plate is required, plans call for them, hardware set in spec does not call for one.

**THESE ARE SHOP DRAWINGS, NOT PRODUCT DATA AS LABELED**

**DOOR AND FRAME SHOP DRAWINGS AS NOTED**

**DOOR HARDWARE NOT REVIEWED IN THIS SUBMITTAL; WILL BE REVIEWED IN THE HARDWARE SET SUBMITTAL #133**

**Engineer:**

Contractor's/Construction Manager's Stamp

X

Reviewed as Noted

Reviewed by: Wyatt Bigelow      Date: 04/24/2024


Miller-Davis Company

Architect's Stamp

This review is only for general conformance with the design concept of the project and general compliance with the information given in the contract documents. Corrections or comments made on the shop drawings during this review do not relieve Contractor from compliance with the requirements of the plans and specifications. Approval of a specific item shall not include approval of an assembly of which the item is a component. Contractor is responsible for dimensions to be confirmed and correlated at the jobsite; information that pertains solely to the fabrication processes or to the means, methods, techniques, sequences and procedures of construction; coordination of his or her work with that of all other trades; and for performing all work in a safe and satisfactory manner.

- Reviewed
- Furnish as Corrected
- Revise and Resubmit
- Rejected

Date: 05/17/2024  
By: jdevries



KALAMAZOO : GRAND RAPIDS : 269.372.1108 : www.dfae.com

Engineer's Stamp

**LETTER OF TRANSMITTAL**



1101 W. Hammond Rd  
 Traverse City, MI 49686

p: (231) 941-0050  
 f: (231) 941-2251

**TO:** Miller-Davis Co.  
 10850 E Traverse Hwy Ste  
 Ste 4400  
 Traverse City, MI. 49684

**ATTENTION:** Mike Farese/Wyatt Bigelow

**RE:** TCAPS IMC

**JOB NUMBER:** C24025

**DATE:** April 23, 2024

**WE ARE SENDING:**

**VIA:**

- Shop Drawings
- Color Charts
- Plans
- Product Data
- Copy of Letter
- Change Order
- Samples
- Other

- US Mail
- UPS Ground
- 2-Day Air
- Overnight
- Fax
- Hand Delivery
- E-mail
- Cloud

| COPIES | DATE    | SUBMITTAL #         | NO. | DESCRIPTION                                      |
|--------|---------|---------------------|-----|--|
| 1      | 4/23/24 | 081116-132-0: 1.4-B | 125 | Alum Thermal Flush Doors & Frmes - Shop Drawings |
|        |         |                     |     |  |
|        |         |                     |     |  |
|        |         |                     |     |  |
|        |         |                     |     |  |
|        |         |                     |     |  |
|        |         |                     |     |  |
|        |         |                     |     |  |
|        |         |                     |     |  |
|        |         |                     |     |  |
|        |         |                     |     |  |

**THESE ARE TRANSMITTED AS CHECKED:**

- For approval
- For your use
- As requested
- For review & comment
- Approved as noted
- Approved as submitted

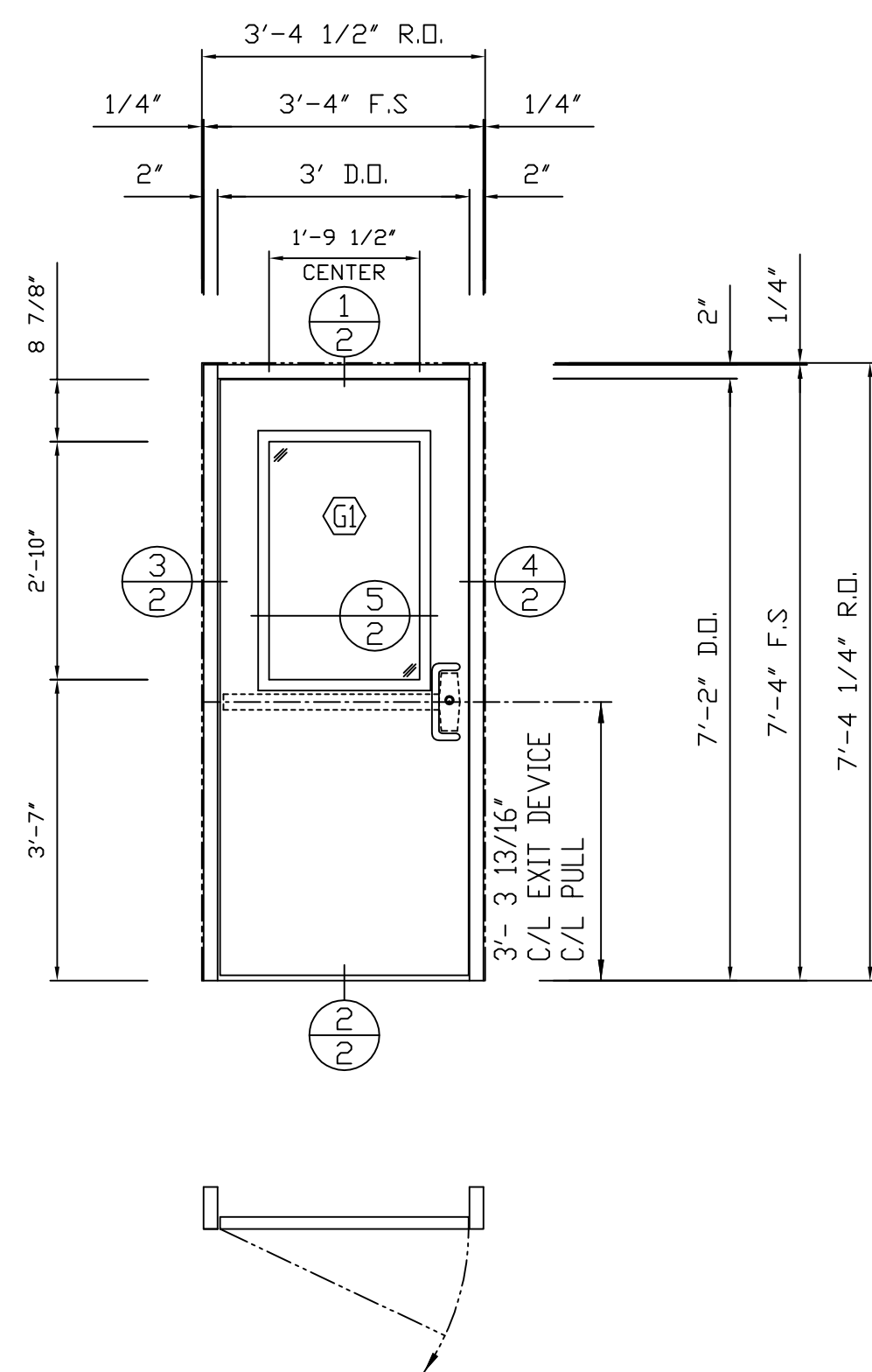
- For bids due on:
- Returned for corrections
- Resubmit for approval
- Submit for distribution
- Return corrected prints
- Prints returned after loan to us

**REMARKS:**

**COPY TO:** File

**SIGNED:** Sam Braden

**WILL DOOR F157A, C120A AND C129C BE INCLUDED IN STOREFRONT SUBMITTAL?**



1 UNIT (1 DOOR) REQUIRED, THIS DOOR #C127B

HARDWARE SET NO. 16

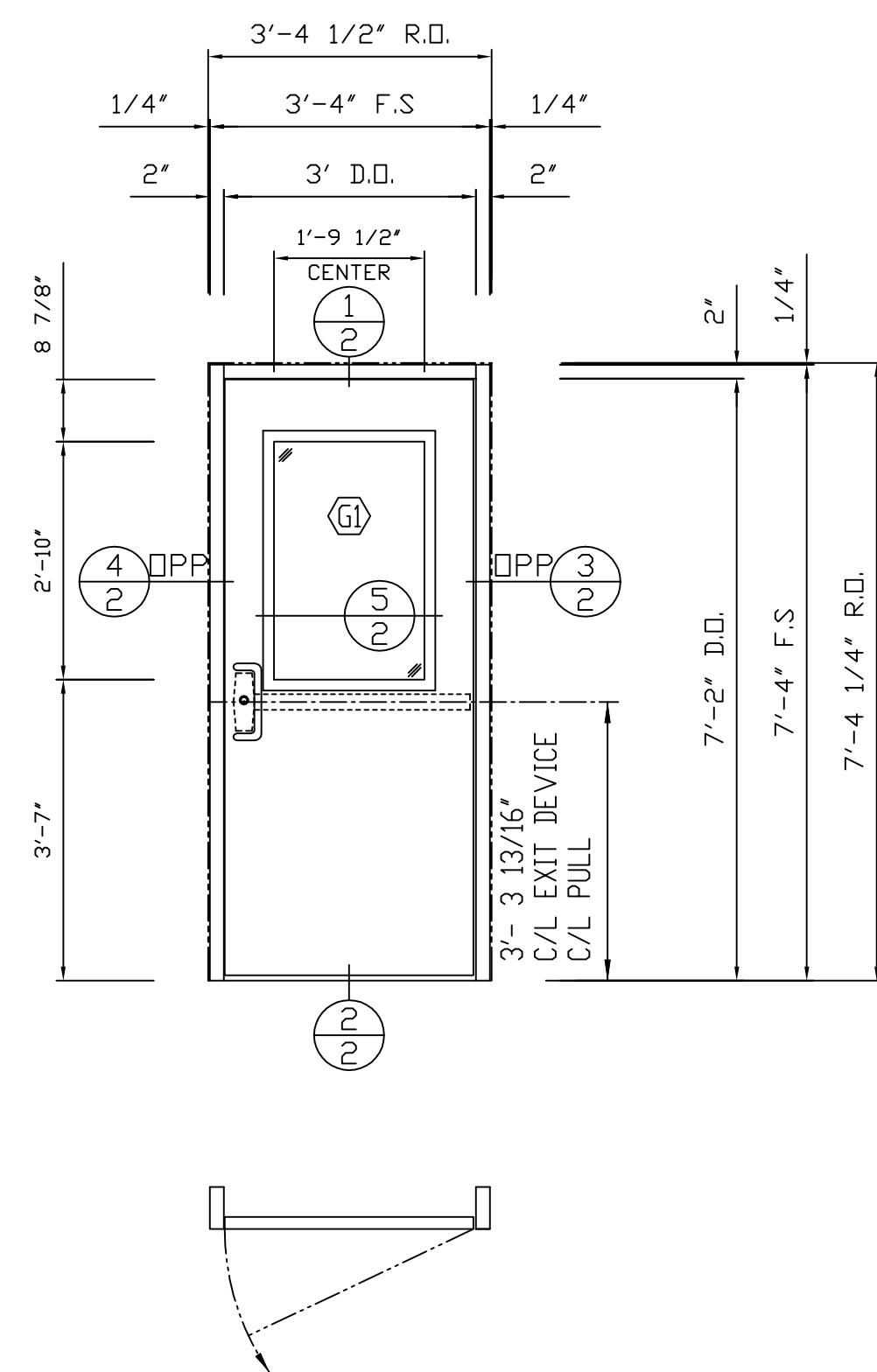
| HARDWARE BY OTHERS: |  |                         |
|---------------------|--|-------------------------|
| QTY                 | PART #                                       | DESCRIPTION             |
| 1                   | 112XY 85' EPT 628                            | IVES CONTINUOUS HINGE   |
| 1                   | EPT-10 CDN 689                               | VON DUPRIN POWER TRANS. |
| 1                   | QEL-RX-98ED CDN 3' 626                       | VON DUPRIN EXIT DEVICE  |
| 1                   | 110MD-NL 626                                 | VON DUPRIN TRIM         |
| 1                   | 1109 SB KEYWAY 626                           | YALE RIM CYLINDER       |
| 1                   | 8190EXHD 18" D 630                           | IVES DOOR PULL          |
| 1                   | 4111 SCUSH 689                               | LCN DOOR CLOSER         |
| 1                   | 4040XP-30 689                                | LCN SHOE SUPPRT         |
| 1                   | 4040XP-61 689                                | LCN SPACER              |
| 1                   | 39A 36"                                      | ZERO DOOR SWEEP         |
| 1                   | 625A 36"                                     | ZERO THRESHOLD          |
| 1                   | CDN-26                                       | SCHLAGE WIRE HARNESS    |
| 1                   | CDN-192P                                     | SCHLAGE WIRE HARNESS    |
| 1                   | READER, DOOR CONTACT, POWER SUPPLY BY OTHERS |                         |

**NO KICK PLATE**

A/E please verify enlarged kick Plate is Required, hardware set in spec does not specify one

FRAME: 2" X 6" THERMALLY BROKEN  
ALUMINUM FINISH: CLEAR ANODIZE

DOOR: SL-16 (SMOOTH)  
ALUMINUM FINISH: CLEAR ANODIZE

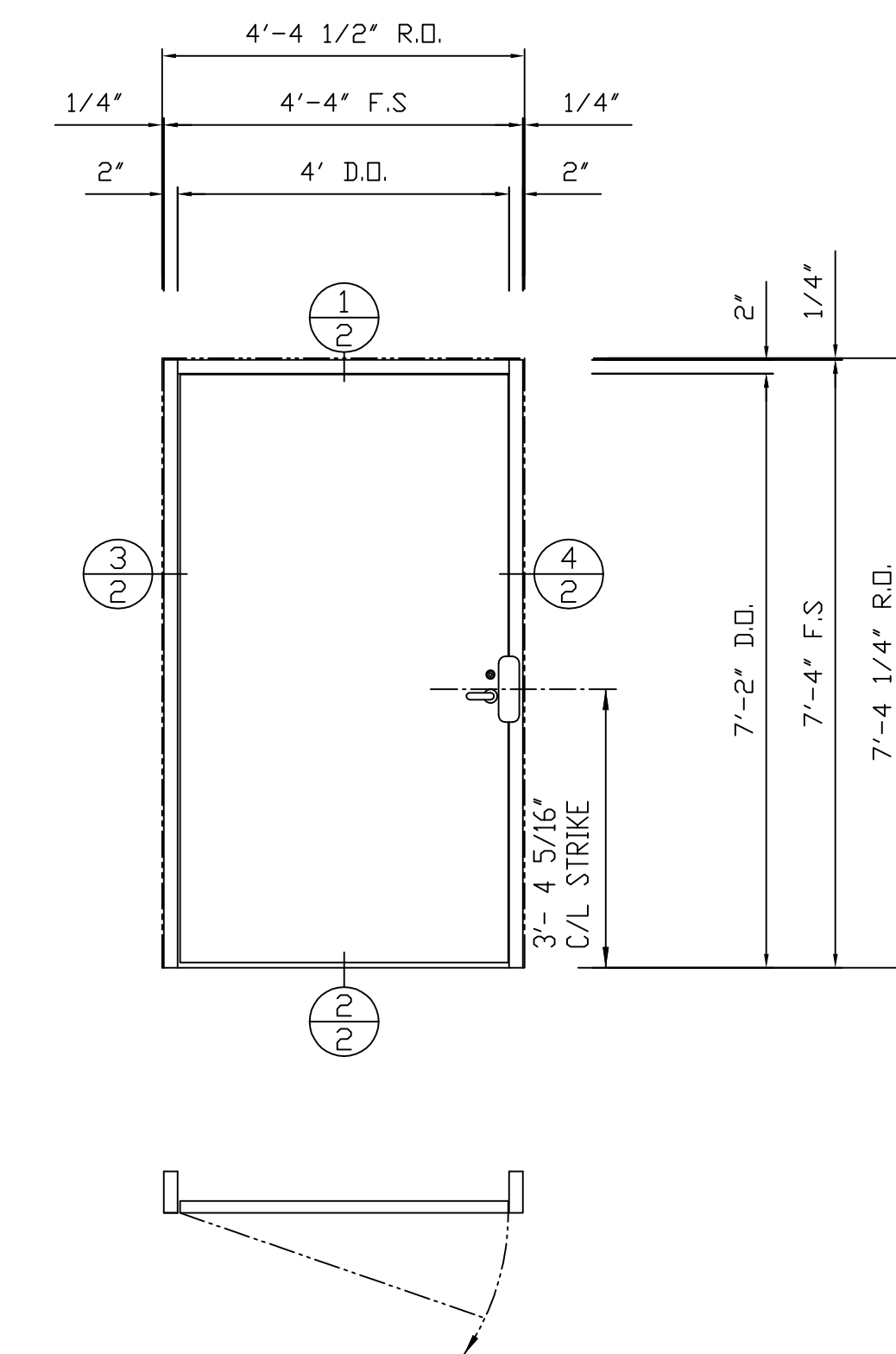


1 UNIT (1 DOOR) REQUIRED, THIS DOOR #F157C

HARDWARE SET NO. 20

| HARDWARE BY OTHERS: |  |                         |
|---------------------|--|-------------------------|
| QTY                 | PART #                                       | DESCRIPTION             |
| 1                   | 112XY 85' EPT 628                            | IVES CONTINUOUS HINGE   |
| 1                   | EPT-10 CDN 689                               | VON DUPRIN POWER TRANS. |
| 1                   | QEL-RX-98ED CDN 3' 626                       | VON DUPRIN EXIT DEVICE  |
| 1                   | 110MD-NL 626                                 | VON DUPRIN TRIM         |
| 1                   | 1109 SA KEYWAY 626                           | YALE RIM CYLINDER       |
| 1                   | 8190EXHD 18" D 630                           | IVES DOOR PULL          |
| 1                   | 4111 SCUSH 689                               | LCN DOOR CLOSER         |
| 1                   | 4040XP-30 689                                | LCN SHOE SUPPORT        |
| 1                   | 4040XP-61 689                                | LCN SPACER              |
| 1                   | 39A 36"                                      | ZERO DOOR SWEEP         |
| 1                   | 625A 36"                                     | ZERO THRESHOLD          |
| 1                   | CDN-26                                       | SCHLAGE WIRE HARNESS    |
| 1                   | CDN-192P                                     | SCHLAGE WIRE HARNESS    |
| 1                   | READER, DOOR CONTACT, POWER SUPPLY BY OTHERS |                         |

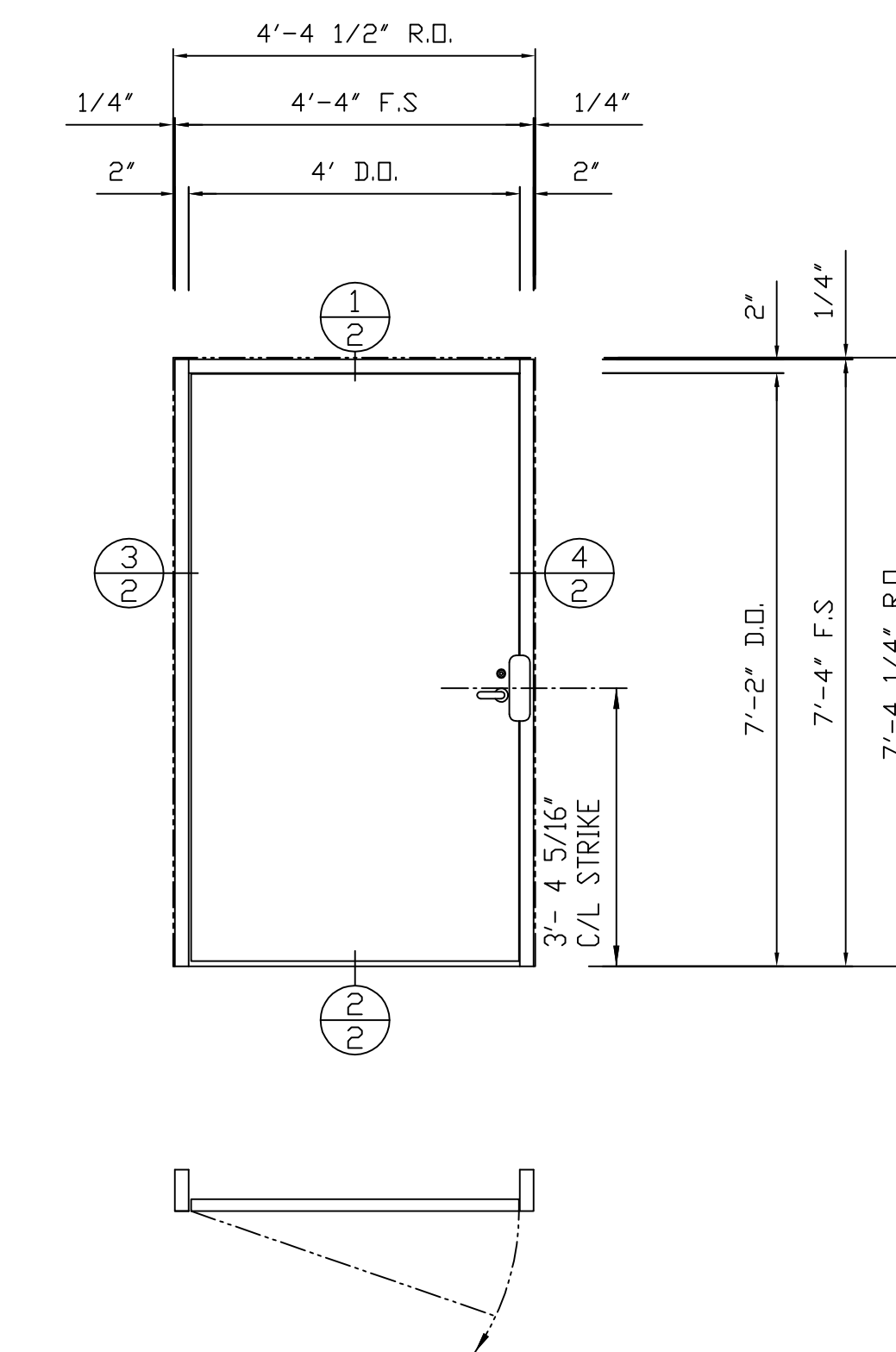
**NO KICK PLATE**



1 UNIT (1 DOOR) REQUIRED, THIS DOOR #F160

HARDWARE SET NO. 14

| HARDWARE BY OTHERS: |  |                       |
|---------------------|--|-----------------------|
| QTY                 | PART #                                       | DESCRIPTION           |
| 1                   | 112XY 85' 628                                | IVES CONTINUOUS HINGE |
| 1                   | LV9080 L 06A 626                             | SCHLAGE LOCK          |
| 1                   | 2153 SA KEYWAY 626                           | YALE MORTISE CYLINDER |
| 1                   | 6211 FSE CDN 630                             | VON DUPRIN ELEC. LOCK |
| 1                   | LG14 630                                     | IVES LOCK GUARD       |
| 1                   | 4111 SCUSH 689                               | LCN DOOR CLOSER       |
| 1                   | 4040XP-30 689                                | LCN SHOE SUPPORT      |
| 1                   | 4040XP-61 689                                | LCN SPACER            |
| 1                   | 39A 48"                                      | ZERO DOOR SWEEP       |
| 1                   | 655A 48"                                     | ZERO THRESHOLD        |
| 1                   | CDN-192P                                     | SCHLAGE WIRE HARNESS  |
| 1                   | READER, DOOR CONTACT, POWER SUPPLY BY OTHERS |                       |



1 UNIT (1 DOOR) REQUIRED, THIS DOOR #C130

HARDWARE SET NO. 12

| HARDWARE BY OTHERS: |  |                       |
|---------------------|--|-----------------------|
| QTY                 | PART #                                       | DESCRIPTION           |
| 1                   | 112XY 85' 628                                | IVES CONTINUOUS HINGE |
| 1                   | LV9080 L 03A 626                             | SCHLAGE LOCK          |
| 1                   | 2153 SB KEYWAY 626                           | YALE MORTISE CYLINDER |
| 1                   | 6211 FSE CDN 630                             | VON DUPRIN ELEC. LOCK |
| 1                   | LG14 630                                     | IVES LOCK GUARD       |
| 1                   | 4111 SCUSH 689                               | LCN DOOR CLOSER       |
| 1                   | 4040XP-30 689                                | LCN SHOE SUPPORT      |
| 1                   | 4040XP-61 689                                | LCN SPACER            |
| 1                   | 39A 48"                                      | ZERO DOOR SWEEP       |
| 1                   | 655A 48"                                     | ZERO THRESHOLD        |
| 1                   | CDN-192P                                     | SCHLAGE WIRE HARNESS  |
| 1                   | READER, DOOR CONTACT, POWER SUPPLY BY OTHERS |                       |

SPECIAL-LITE DOES NOT MAKE ANY WARRANTY, EXPRESS OR IMPLIED, REGARDING WHETHER OR NOT A PRODUCT CONFORMS WITH ANY APPLICABLE LOCAL STATE, FEDERAL OR NATIONAL LAW, REGULATION, STANDARD CODE, OR ANY PROJECT-SPECIFIC REQUIREMENT. It is the responsibility of Special-Lite's customers and the customer's agents to ensure that Special-Lite's products meet all local, state, federal and national codes, specifications and requirements applicable to the location and to the project at which products are installed.

Special-Lite does not prepare engineering documents for customer projects and Special-Lite's submittal drawings are not engineering documents. Special-Lite submittal drawings are intended to provide product representations.

|     |                    |
|-----|--------------------|
| 1   | 1" GLASS BY OTHERS |
| 2   |                    |
| 3   |                    |
| 4   |                    |
| 5   |                    |
| 6   |                    |
| 7   |                    |
| 8   |                    |
| 9   |                    |
| 10  |                    |
| 11  |                    |
| 12  |                    |
| 13  |                    |
| 14  |                    |
| 15  |                    |
| 16  |                    |
| 17  |                    |
| 18  |                    |
| 19  |                    |
| 20  |                    |
| 21  |                    |
| 22  |                    |
| 23  |                    |
| 24  |                    |
| 25  |                    |
| 26  |                    |
| 27  |                    |
| 28  |                    |
| 29  |                    |
| 30  |                    |
| 31  |                    |
| 32  |                    |
| 33  |                    |
| 34  |                    |
| 35  |                    |
| 36  |                    |
| 37  |                    |
| 38  |                    |
| 39  |                    |
| 40  |                    |
| 41  |                    |
| 42  |                    |
| 43  |                    |
| 44  |                    |
| 45  |                    |
| 46  |                    |
| 47  |                    |
| 48  |                    |
| 49  |                    |
| 50  |                    |
| 51  |                    |
| 52  |                    |
| 53  |                    |
| 54  |                    |
| 55  |                    |
| 56  |                    |
| 57  |                    |
| 58  |                    |
| 59  |                    |
| 60  |                    |
| 61  |                    |
| 62  |                    |
| 63  |                    |
| 64  |                    |
| 65  |                    |
| 66  |                    |
| 67  |                    |
| 68  |                    |
| 69  |                    |
| 70  |                    |
| 71  |                    |
| 72  |                    |
| 73  |                    |
| 74  |                    |
| 75  |                    |
| 76  |                    |
| 77  |                    |
| 78  |                    |
| 79  |                    |
| 80  |                    |
| 81  |                    |
| 82  |                    |
| 83  |                    |
| 84  |                    |
| 85  |                    |
| 86  |                    |
| 87  |                    |
| 88  |                    |
| 89  |                    |
| 90  |                    |
| 91  |                    |
| 92  |                    |
| 93  |                    |
| 94  |                    |
| 95  |                    |
| 96  |                    |
| 97  |                    |
| 98  |                    |
| 99  |                    |
| 100 |                    |

**Special-Lite®**

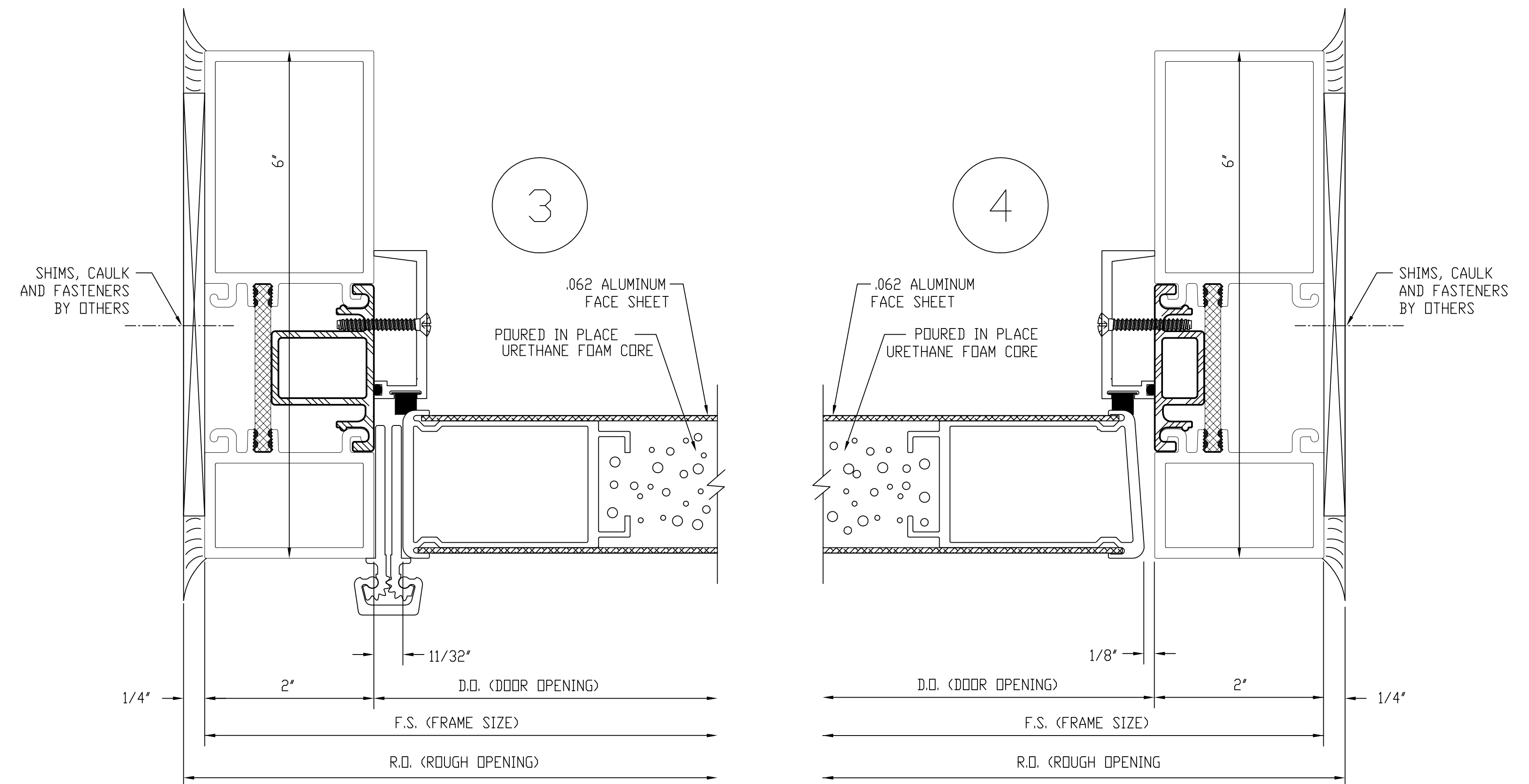
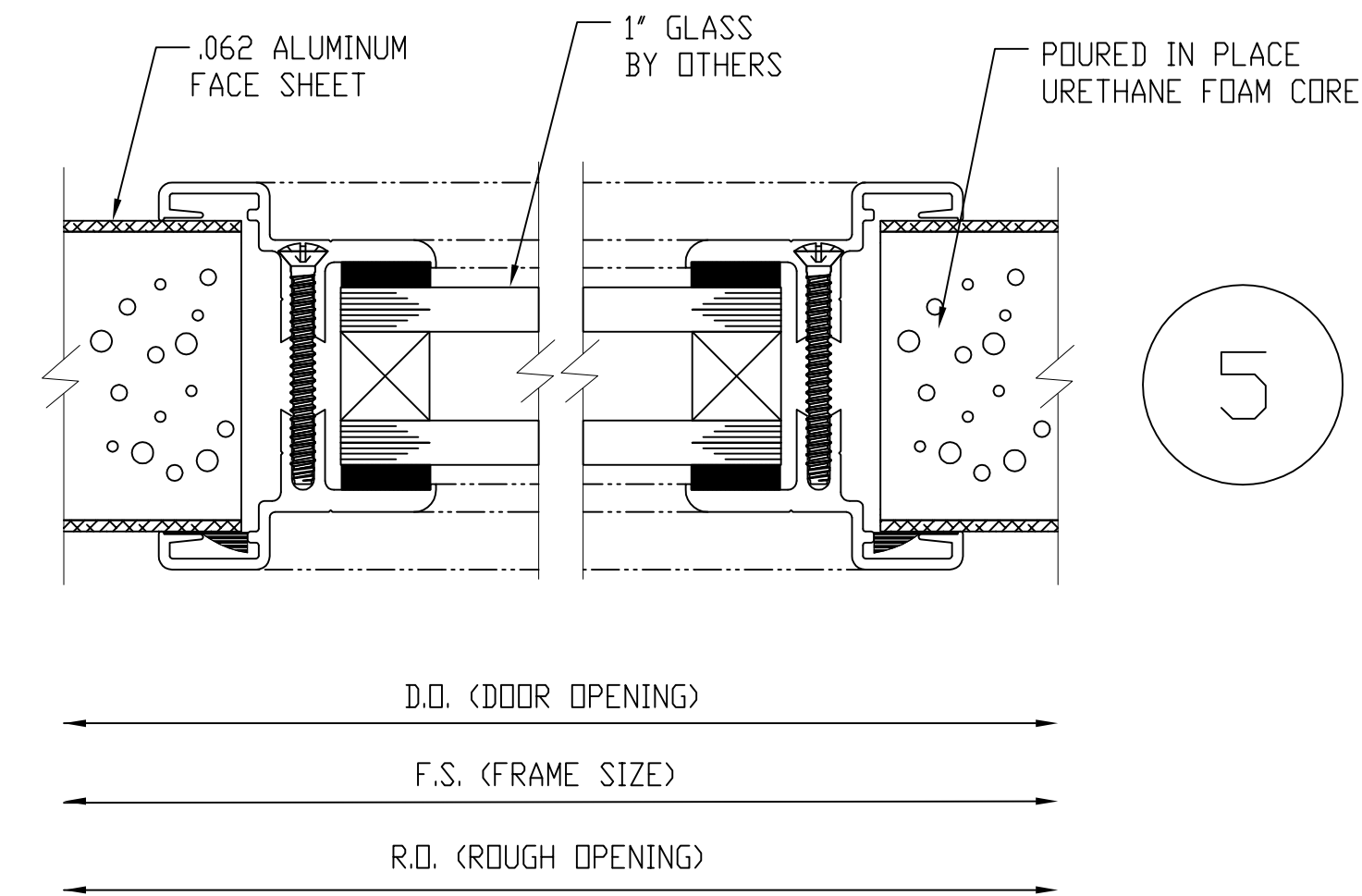
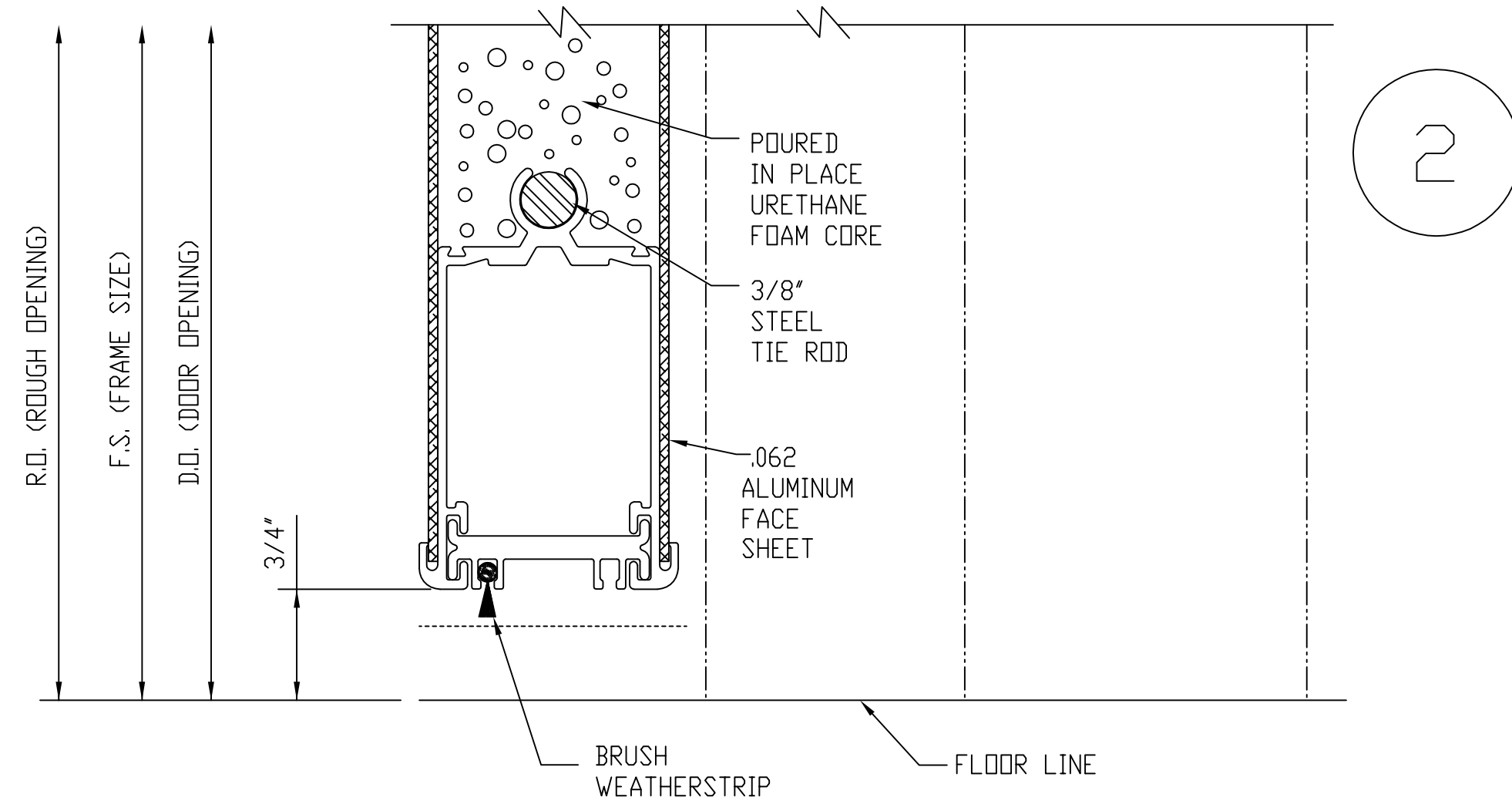
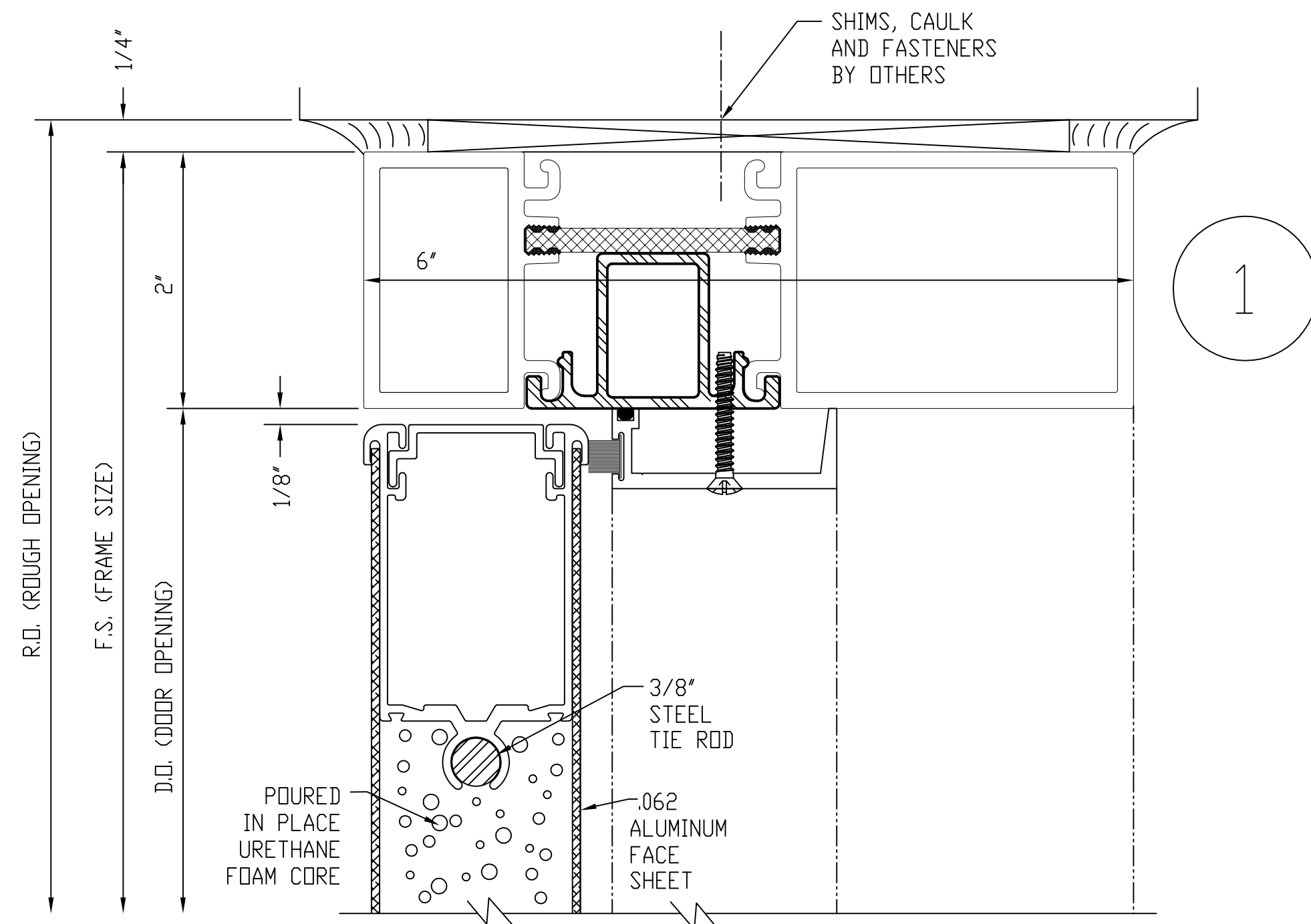
DRAWN BY: KEVIN MEAD    CUSTOMER : NORTHERN MICHIGAN GLASS CO.

REVISION    JOB NAME : WEST SENIOR HIGH SCHOOL - STEM LAB

ARCHITECT:

DATE: 4/8/24    SHEET NO. 1    OF 2    FILE NO. P-156158

**SPECIAL-LITE, INC.**  
860 South Williams Street  
P.O. BOX 6  
DECATUR, MI 49045  
WWW.SPECIAL-LITE.COM



SPECIAL-LITE DOES NOT MAKE ANY WARRANTY, EXPRESS OR IMPLIED, REGARDING WHETHER OR NOT A PRODUCT CONFORMS WITH ANY APPLICABLE LOCAL STATE, FEDERAL OR NATIONAL LAW, REGULATION, STANDARD CODE, OR ANY PROJECT-SPECIFIC REQUIREMENT. It is the responsibility of Special-Lite's customers and the customer's agents to ensure that Special-Lite's products meet all local, state, federal and national codes, specifications and requirements applicable to the location and to the project at which products are installed.

Special-Lite does not prepare engineering documents for customer projects and Special-Lite's submittal drawings are not engineering documents. Special-Lite submittal drawings are intended to provide product representations.

|   |                    |
|---|--------------------|
| ① | 1" GLASS BY OTHERS |
| ② |                    |
| ③ |                    |
| ④ |                    |
| ⑤ |                    |
| ⑥ |                    |

|                      |   |   |  |
|----------------------|---|---|--|
| DRAWN BY: KEVIN MEAD |   | CUSTOMER : NORTHERN MICHIGAN GLASS CO.        |  |
|                      |   | JOB NAME : WEST SENIOR HIGH SCHOOL - STEM LAB |  |
| REVISION             |   | ARCHITECT:                                    |  |
|                      |   | DATE: 4/8/24                                  |  |
| A                    | D | SHEET NO. 2 OF 2                              |  |
| B                    | E | FILE NO. P-156158                             |  |
| C                    | F |   |  |

**SPECIAL-LITE, INC.**  
 860 South Williams Street  
 P.O. BOX 6  
 DECATUR, MI 49045  
 WWW.SPECIAL-LITE.COM