

**BOTTOM OF WALL JOINT : GYPSUM WALL ASSEMBLY**

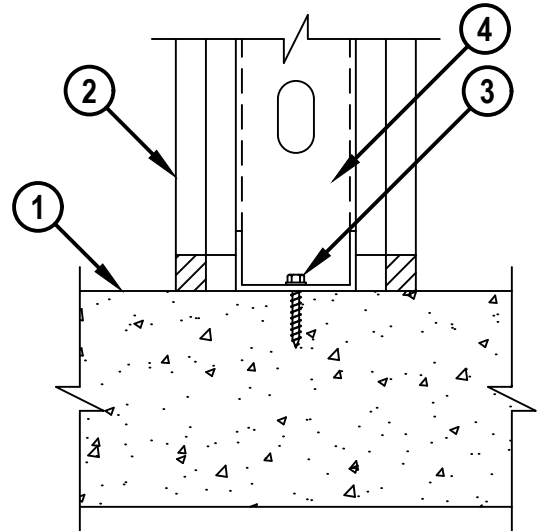
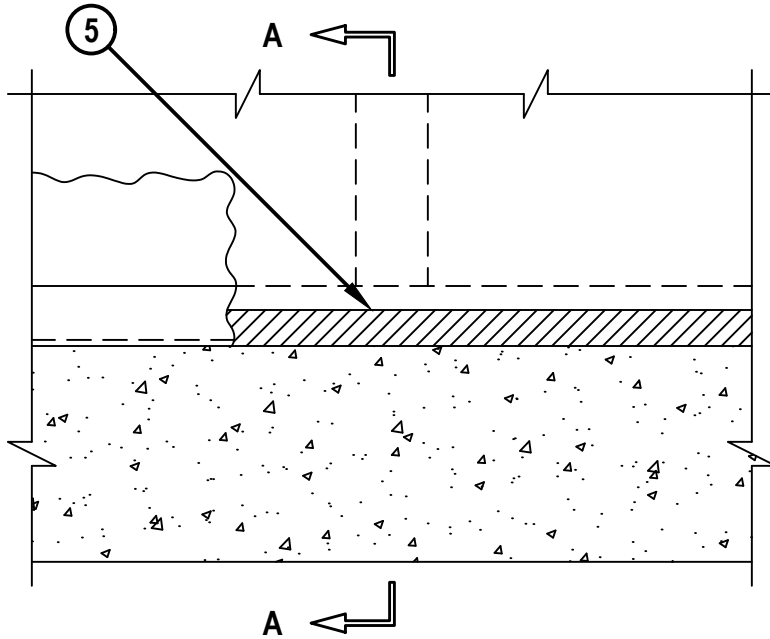
ASSEMBLY RATING = 1-HR., 2-HR., 3-HR., OR 4-HR. (SEE ITEM 2)

L-RATING AT AMBIENT = LESS THAN 1 CFM / LIN FT

L-RATING AT 400°F = LESS THAN 1 CFM / LIN FT

**FRONT VIEW**

**SECTION A-A**



BWS0002g.052021

**1. CONCRETE FLOOR ASSEMBLY :**

A. LIGHTWEIGHT OR NORMAL WEIGHT CONCRETE FLOOR (MINIMUM 4-1/2" THICK).

B. ANY UL/cUL CLASSIFIED PRECAST (HOLLOW-CORE) CONCRETE FLOOR (MINIMUM 6" THICK).

**2. GYPSUM WALL ASSEMBLY (UL/cUL CLASSIFIED U400 SERIES WALL) (1-HR., 2-HR., 3-HR., OR 4-HR. FIRE-RATING) (2-HR. SHOWN). HOURLY RATING OF THE JOINT SYSTEM IS EQUAL TO THE HOURLY RATING OF THE WALLS.**

**3. FLOOR RUNNER (MIN. 25 GA., 1-1/4" FLANGES) FASTENED TO TOP SURFACE OF CONCRETE FLOOR.**

**4. STEEL STUDS (MIN. 3-1/2" WIDE), NESTING IN AND RESTING ON FLOOR RUNNER.**

**5. HILTI CP 601S ELASTOMERIC FIRESTOP SEALANT, HILTI CP 606 FLEXIBLE FIRESTOP SEALANT, HILTI FS-ONE MAX INTUMESCENT FIRESTOP SEALANT, HILTI CFS-S SIL GG FIRESTOP SILICONE SEALANT, OR HILTI CP 605 BOTTOM OF WALL FIRESTOP SEALANT :**

A. MINIMUM 5/8" DEPTH OF SEALANT FOR 1-HR. AND 2-HR. FIRE-RATING.

B. MINIMUM 1" DEPTH OF SEALANT FOR 3-HR. AND 4-HR. FIRE-RATING.

**NOTES : 1. ALLOWABLE JOINT WIDTHS TO BE DETERMINED AS FOLLOWS :**

A. FOR 1-HR. OR 2-HR. WALLS, MAXIMUM WIDTH OF JOINT = 1".

B. FOR 3-HR. OR 4-HR. WALLS, MAXIMUM WIDTH OF JOINT = 7/8".

**2. [OPTIONAL, NOT SHOWN] MINERAL WOOL, FIBERGLASS, OR POLYURETHANE/POLYETHYLENE FOAM BACKER ROD MAY BE USED AS A BACKER IN 2-HR., 3-HR., OR 4-HR. WALLS.**



**Hilti Firestop Systems**

HILTI, Inc.  
Plano, Texas USA (800) 879-8000

Sheet 1 of 1

Scale 1/4" = 1"

Date May 20, 2021

Drawing No.

**BWS  
0002g**