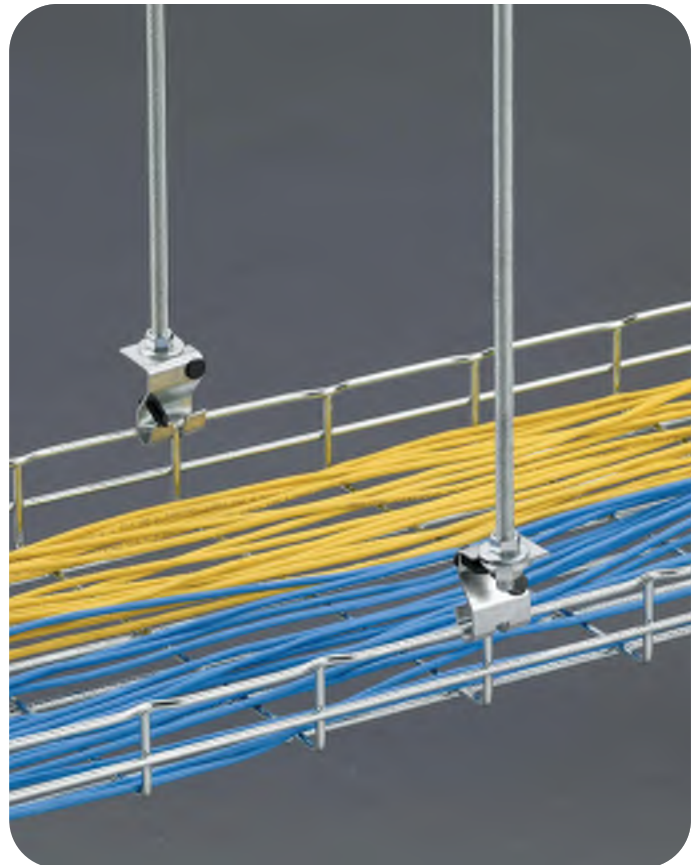
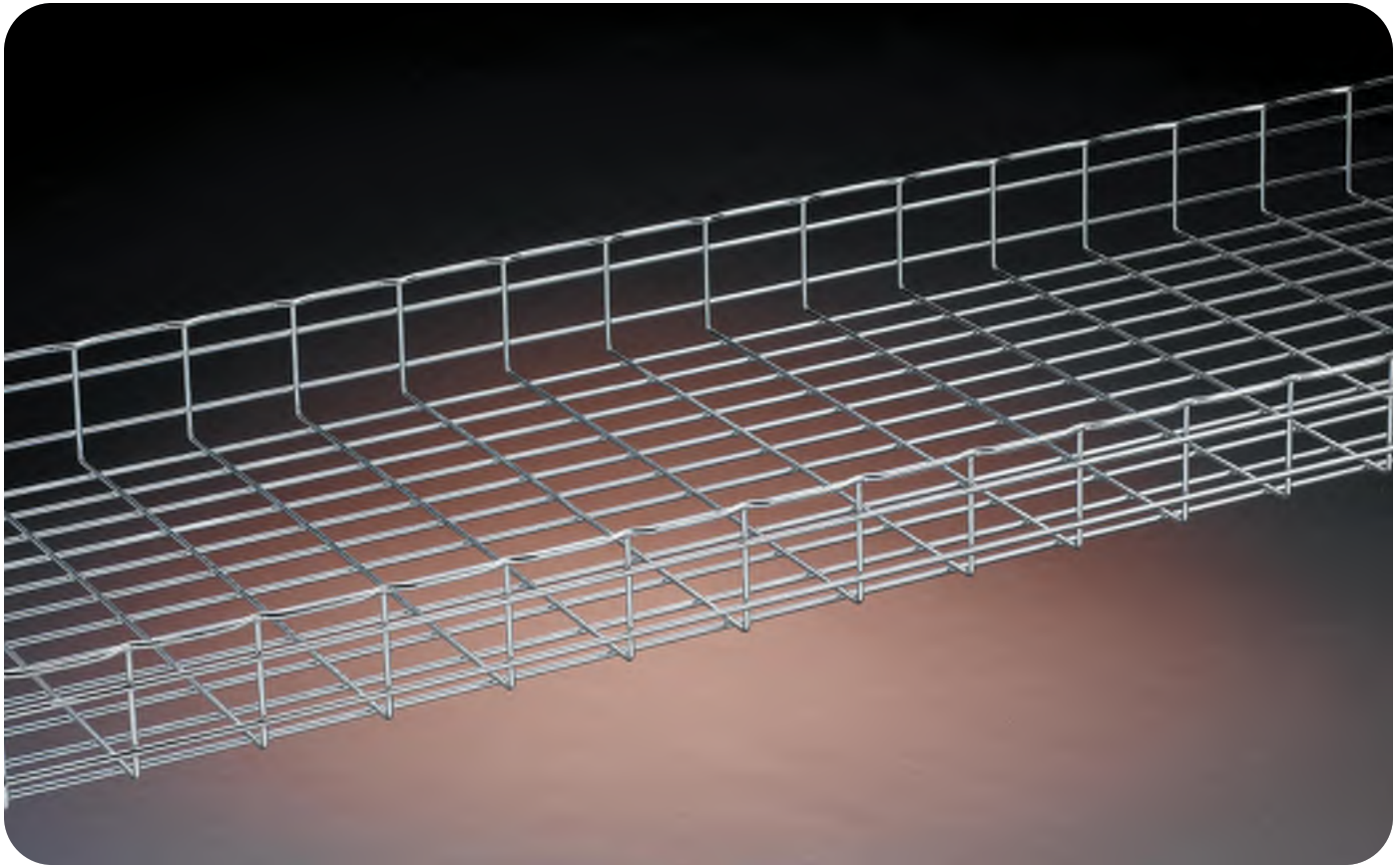
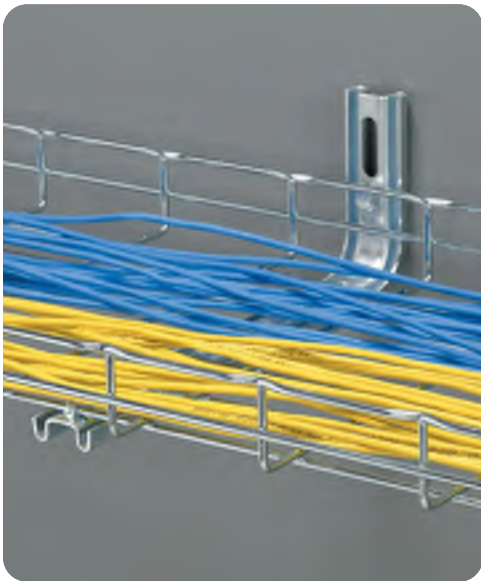


# Flextray wire basket



Flextray



The Flextray™ system is a flexible, field-adaptable way to manage cables throughout your project. The tray can be cut and bent to the needs of the installer on the jobsite, allowing cable runs to be adjusted as needed. The wide range of sizes offered makes Flextray a great choice for everything from a small cable drop to a large trunk of cables. Our tray has the market-preferred "T" weld safety edge, protecting both the cable and the installer during cable installation. Flextray is also UL Classified as an equipment grounding conductor.

## Finish Information

Flextray cable tray and accessories are available in a wide variety of finishes to meet the environmental or aesthetic requirements of customer installations. Use the list below to find the finish and suffix that will meet your needs.

Available product finishes will be listed on individual pages throughout the catalog.

Finish codes shown in **bold** type are the standard for that product.

Plain wire: ASTM A510, Grade 1008

**EG** Electroplated zinc galvanized finish applied after fabrication  
(ELG) Recommended applications: Controlled interior  
UL/CSA Classified as an equipment ground conductor when spliced as recommended  
ASTM B633 - Average thickness of 0.3 mils (8 microns)

**GS** Pre-galvanized zinc finish applied before fabrication  
(GLV) Recommended applications: Limited industrial & interior  
UL/CSA Classified as an equipment ground conductor when spliced as recommended  
ASTM A641

**BLE** Black powder coat finish applied after fabrication  
Recommended applications: Controlled interior  
UL/CSA Classified as an equipment ground conductor when coating has been removed at splice contact points  
Average paint thickness of 1.2 mils (30 microns) to 3.0 mils (75 microns)

**HD** Hot dip galvanized finish applied after fabrication  
(HDG) Recommended applications: Exterior, corrosive. Not intended for clean room applications.  
UL/CSA Classified as an equipment ground conductor when spliced as recommended  
ASTM A123 - Average thickness of 2.4 mils (60 microns) to 3.2 mils (80 microns)

**304S** 304L Stainless steel  
(SS4) Recommended applications: Food preparation, wash-down areas  
ASTM A580

**316S** 316L Stainless steel  
(SS6) Recommended applications: Highly corrosive applications & marine environments  
ASTM A580

Custom powder coat finish applied after fabrication  
Recommended applications: Controlled interior  
UL/CSA Classified as an equipment ground conductor when coating has been removed at splice contact points  
No Specification

## Grounding Information

Statement for all UL Classified products:



This product is classified by Underwriters Laboratories, Inc. as to its suitability as an equipment grounding conductor only. 556E



Most sizes of the Flextray system are UL Classified to serve as an Equipment Ground Conductor. The ground path can be achieved in one of two ways listed on page D-4:

## Grounding Information (cont.)

1. Use the recommended quantity of UL Classified splices to connect sections and at places where the tray is cut.
2. Run an appropriately sized ground wire alongside the tray and attach it to each tray section and on both sides of a cut in the tray. (This method is recommended by NEMA VE-2 Installation Manual.)

## Load & Fill Chart

Flextray Series		Support Span / Loading Capacity*				Actual Area Inside Tray (in <sup>2</sup> )	Cable Fill (50% fill)**		
		Lbs/Ft (max)					Number of CAT 5e Cables***	Number of CAT 6 Cables***	Number of CAT 6A Cables***
Part Number	Size height x width	5'-0"	6'-0"	7'-0"	8'-0"				
FT2X2	2" x 2"	34	28	24	20	4.3	61	43	33
FT2X4	2" x 4"	52	43	35	27	8.2	118	83	64
FT2X6	2" x 6"	66	47	35	27	12.1	175	123	95
FT2X8	2" x 8"	66	47	35	27	16.1	231	163	125
FT2X12	2" x 12"	68	47	35	27	23.9	345	243	187
FT2X16	2" x 16"	68	47	35	27	31.8	459	324	249
FT2X18	2" x 18"	68	47	35	27	35.8	516	364	280
FT2X20	2" x 20"	68	47	35	27	39.7	573	404	311
FT2X24	2" x 24"	68	47	35	27	47.5	686	484	372
FT2X30	2" x 30"	68	47	35	27	59.8	862	608	468
FT2X32	2" x 32"	77	53	39	30	63.3	914	645	496
FT4X4	4" x 4"	58	49	42	36	15.8	227	160	123
FT4X6	4" x 6"	93	77	60	46	23.6	341	240	185
FT4X8	4" x 8"	94	78	61	47	31.5	454	321	247
FT4X12	4" x 12"	119	83	61	47	47.5	686	484	372
FT4X16	4" x 16"	119	83	61	47	63.5	917	647	498
FT4X18	4" x 18"	119	83	61	47	71.5	1032	728	560
FT4X20	4" x 20"	119	83	61	47	79.5	1148	810	623
FT4X24	4" x 24"	128	89	65	50	95.5	1379	973	749
FT4X30	4" x 30"	128	89	65	50	119.5	1725	1217	936
FT6X8	6" x 8"	111	77	57	43	47.3	682	481	370
FT6X12	6" x 12"	124	86	63	48	71.6	1034	729	561
FT6X16	6" x 16"	128	89	65	50	95.3	1375	970	746
FT6X18	6" x 18"	128	89	65	50	107.3	1549	1092	840
FT6X20	6" x 20"	141	98	72	55	118.9	1716	1211	932
FT6X24	6" x 24"	154	107	78	60	143.3	2068	1459	1123

\* Published load chart has not been tested with Flexmate™ splice. Please consult the factory for load information when using the Flexmate option.

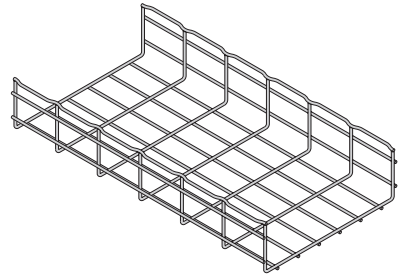
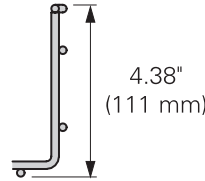
\*\* Flextray fill capacity is based on NEC allowable fill of 50%. The NEC rule requires that the cable cross-sectional areas together may not exceed 50% of the tray area (width x depth = fill). Cables will nearly completely fill the cable tray when reaching the 50% cable fill, due to empty space between the surface of the cables. TIA recommends 40% fill ratio. Flextray loads shown in the loading chart will not be exceeded at 50% fill.

\*\*\* CAT 5e 4-pr non-plenum approximated at .21 in. diameter, CAT 6 4-pr non-plenum approximated at .25 in. diameter, CAT 6A approximated at .285 diameter. Actual diameters vary by cable manufacturer.

# Flextray wire basket - straight sections

## 4" Deep Flextray

Part Number	Width		Wt. Per Pc.	
	in.	(mm)	lbs.	(kg)
FT4X4X10	4	(100)	11.25	(5.10)
FT4X6X10	6	(150)	12.79	(5.80)
FT4X8X10	8	(200)	14.32	(6.49)
FT4X12X10	12	(300)	17.39	(7.89)
FT4X16X10	16	(400)	20.45	(9.27)
FT4X18X10	18	(450)	21.99	(9.97)
FT4X20X10	20	(500)	23.52	(10.67)
FT4X24X10	24	(600)	26.59	(12.06)
FT4X30X10	30	(750)	31.19	(14.15)



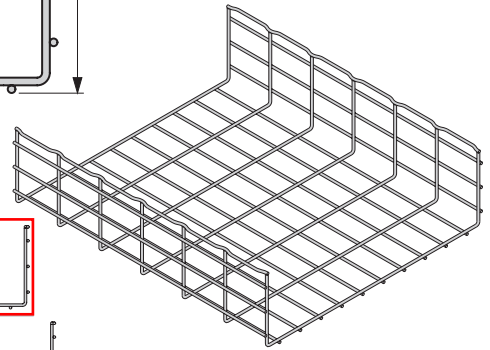
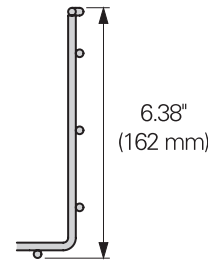
**Height:** 4.38" (111 mm)  
**Length:** 118.312" (3 meter)  
**Wire Diameter Minimum:** .196" (5.0 mm)  
**Finishes:** **EG BLE** (GS, HD, 304S and 316S available upon request).

All 4" deep Flextrays are UL Classified



## 6" Deep Flextray

Part Number	Width		Wt. Per Pc.	
	in.	(mm)	lbs.	(kg)
FT6X8X10	8	(200)	17.39	(7.89)
FT6X12X10	12	(300)	20.45	(9.27)
FT6X16X10	16	(400)	23.52	(10.67)
FT6X18X10	18	(450)	25.06	(11.37)
FT6X20X10	20	(500)	26.59	(12.06)
FT6X24X10	24	(600)	29.66	(13.45)

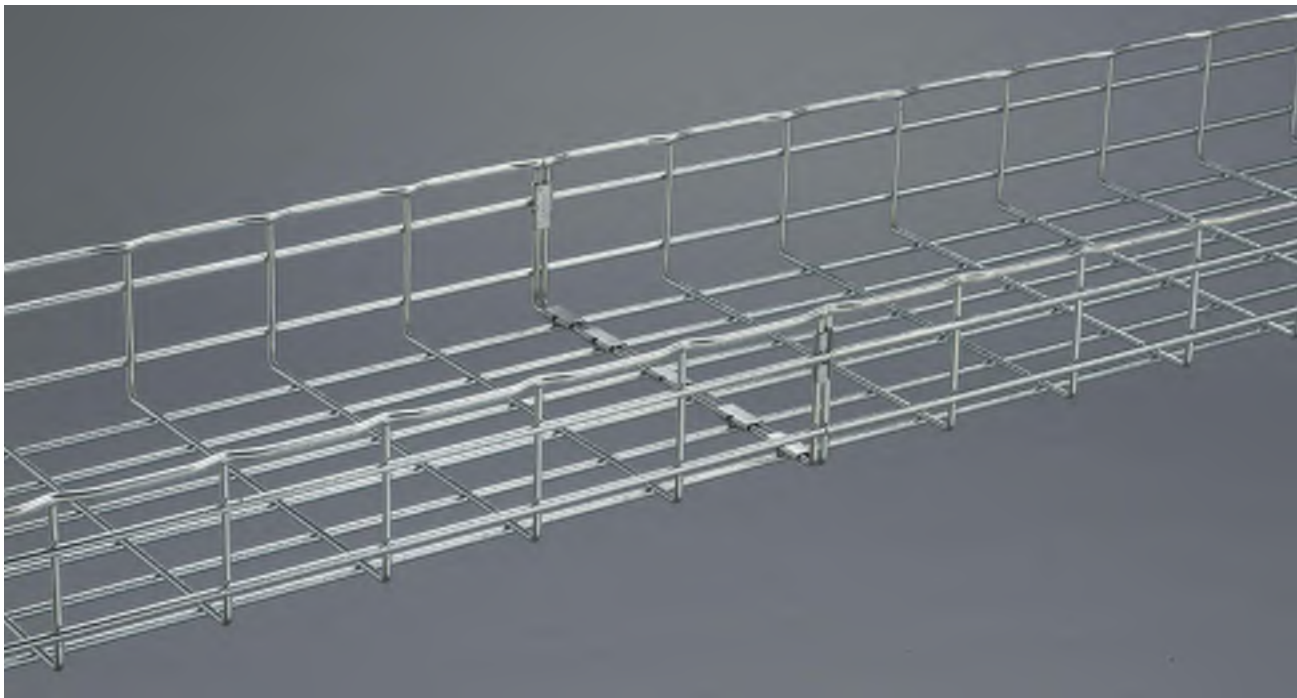
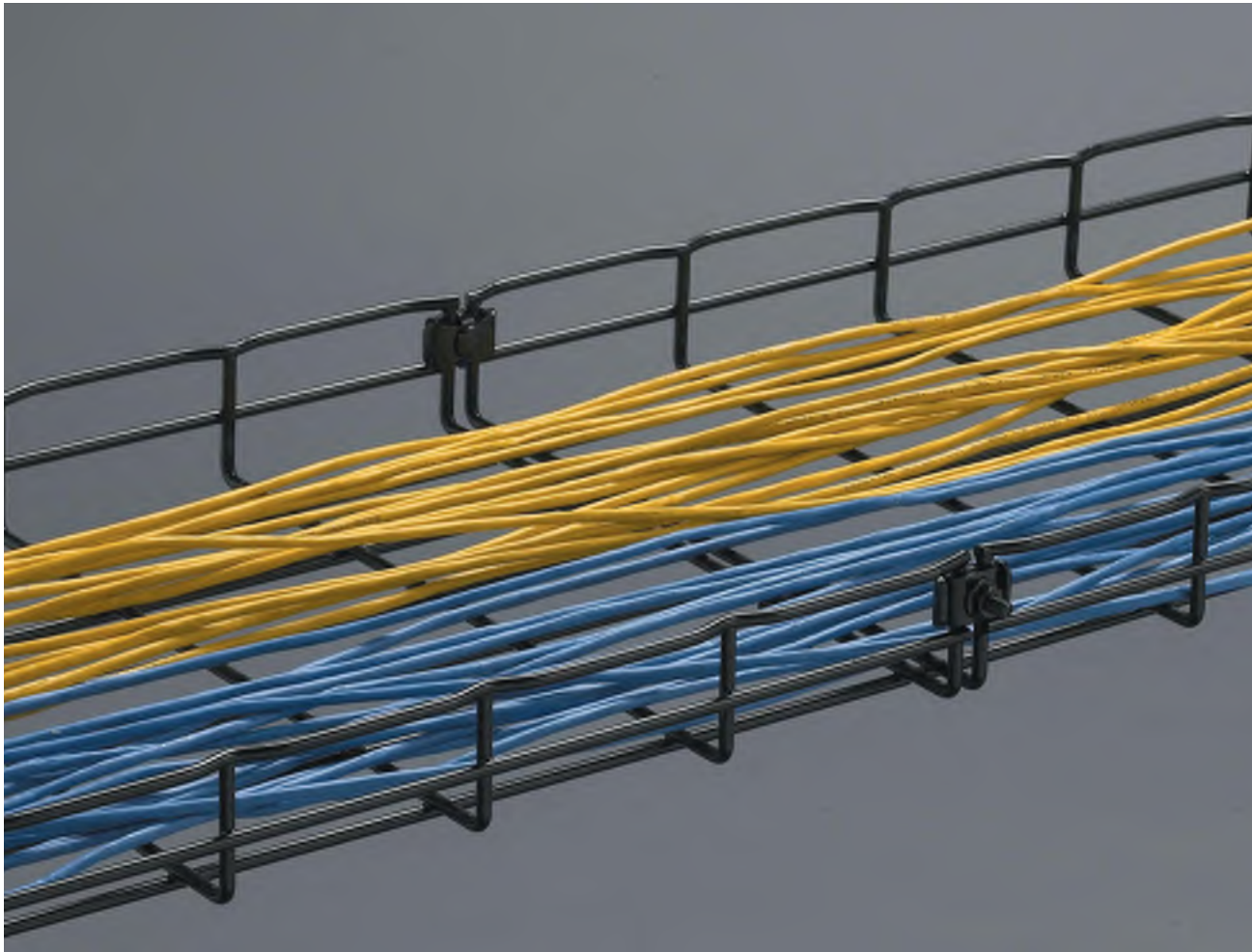


**Height:** 6.38" (162 mm)  
**Length:** 118.312" (3 meter)  
**Wire Diameter Minimum:** .196" (5.0 mm)  
**Finishes:** **EG BLE** (GS, HD, 304S and 316S available upon request).

All 6" deep Flextrays are UL Classified

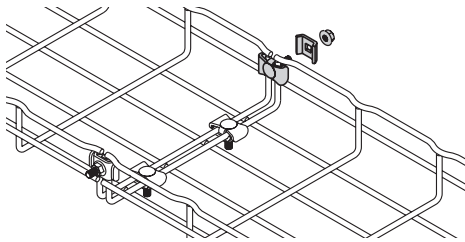


See page D-3 for finish information



Flextray

- Washer is staked to bolt, holding part stationary during installation.
- Fewer parts to handle.
- For use with all tray widths and sizes.
- Finishes \_\_: **EG, BLE.**



## Washer Splice Kit

Part Number	Description	Qty./Box	Wt./Box lbs. (kg)
WASHER SPL KIT__	Assembly of Staked Washer Stud/Washer & Finned Nut	100	4.5 (2.04)

- **BLE** suffix indicates black zinc finish for this part only

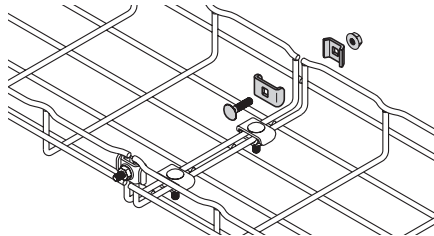
### Splicing Chart (number of splices required for UL Classification)

Tray Height	Tray Width - number of splices									
	2" (50mm)	4" (100mm)	6" (150mm)	8" (200mm)	12" (300mm)	16" (400mm)	18" (450mm)	20" (500mm)	24" (600mm)	>24" (>600mm)
2"	NC	NC	3	3	3	4	4	4	4	5
4"	NM	3	3	3	3	4	4	4	4	5
6"	NM	NM	3	3	3	4	4	4	4	5

NC = Not UL Classified in this size    NM = Flextray is not manufactured in this size

## Splice Hardware Components

- Works with all splicing needs.
- For use with all tray widths and sizes.
- Components are sold separately.
- Finishes \_\_: **EG, BLE**  
(304S and 316S available upon request).  
**FTHDWE 1/4** not available in **BLE**.



Part Number	Description	Qty./Box	Wt./Box lbs. (kg)
FTHDWE 1/4__	1/4" x 1" Carriage Bolt & Finned nut	50	2.4 (1.08)
TOP WASHER__	1" Square Splice Washer	100	2.8 (1.26)
BTM WASHER__	1 3/16" Square Splice Washer	100	4.0 (1.82)



BTM WASHER



FTHDWE 1/4



TOP WASHER

### Splicing Chart (number of splices required for UL Classification)

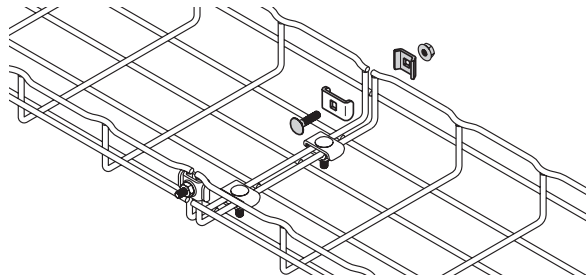
Tray Height	Tray Width - number of splices									
	2" (50mm)	4" (100mm)	6" (150mm)	8" (200mm)	12" (300mm)	16" (400mm)	18" (450mm)	20" (500mm)	24" (600mm)	>24" (>600mm)
2"	NC	NC	3	3	3	4	4	4	4	5
4"	NM	3	3	3	3	4	4	4	4	5
6"	NM	NM	3	3	3	4	4	4	4	5

NC = Not UL Classified in this size    NM = Flextray is not manufactured in this size

See page D-3 for finish and grounding information

## Connecting Hardware

Part Number	Description	Qty./Box	Wt./Box lbs. (kg)
FTSCH__	Connecting Hardware	50	2.0 (0.91)



- Adaptable and designed for use with splice plate (FTS3SP), SPLICE BAR, and long splice bar (FTS36SB).
- Finishes \_\_: **EG** (BLE-BLO, 304S and 316S available upon request).

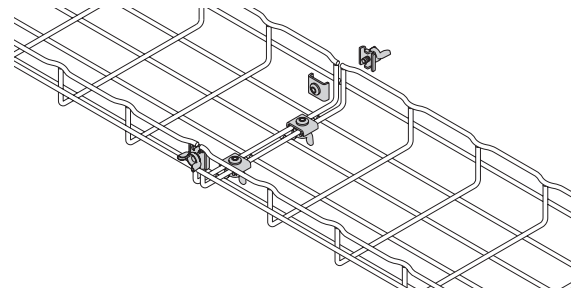
## Splicing Chart (number of splices required for UL Classification)

Tray Height	Tray Width - number of splices									
	2" (50mm)	4" (100mm)	6" (150mm)	8" (200mm)	12" (300mm)	16" (400mm)	18" (450mm)	20" (500mm)	24" (600mm)	>24" (>600mm)
2"	NC	NC	3	3	3	4	4	4	4	5
4"	NM	3	3	3	3	4	4	4	4	5
6"	NM	NM	3	3	3	4	4	4	4	5

NC = Not UL Classified in this size    NM = Flextray is not manufactured in this size

## Wing Splice

Part Number	Description	Qty./Box	Wt./Box lbs. (kg)
FTSWN__	Wing Splice™	50	3.0 (1.38)



- Two piece design for easy handling.
- Tool-less installation.
- Reduces installation time, especially when used on fittings and bends.
- Finish\_\_: **ZN**.

## Splicing Chart (number of splices required for UL Classification)

Tray Height	Tray Width - number of splices									
	2" (50mm)	4" (100mm)	6" (150mm)	8" (200mm)	12" (300mm)	16" (400mm)	18" (450mm)	20" (500mm)	24" (600mm)	>24" (>600mm)
2"	NC	NC	3	3	3	4	4	4	4	5
4"	NM	3	3	3	3	4	4	4	4	5
6"	NM	NM	3	3	3	4	4	4	4	5

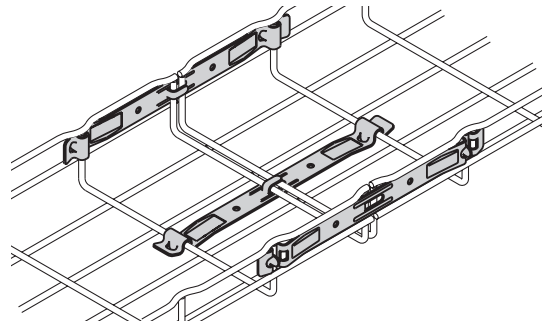
NC = Not UL Classified in this size    NM = Flextray is not manufactured in this size

See page D-3 for finish and grounding information

## Tab-Loc Connector

Part Number	Description	Length in. (mm)	Qty./Box	Wt./Box lbs. (kg)
FTSTLC__	Tab-Loc Connectors	9.29" (235.9)	50	7.2 (3.26)

- Fast splice for straight runs of tray.
- For use with 2" (50mm) to 32" (800mm) wide tray to connect straight sections only.
- Finishes \_\_: **ZN** (SS6 available upon request).

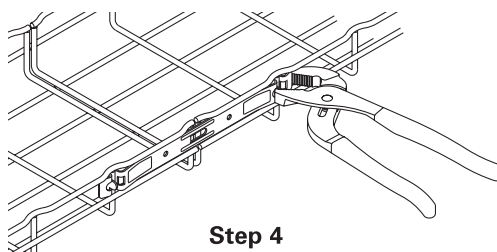
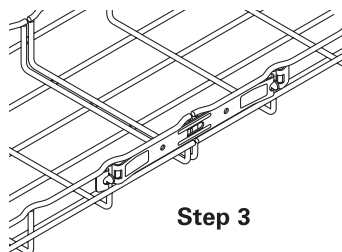
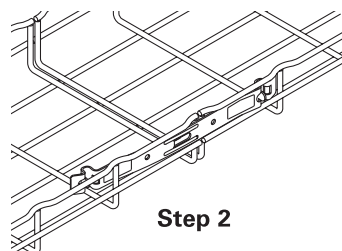
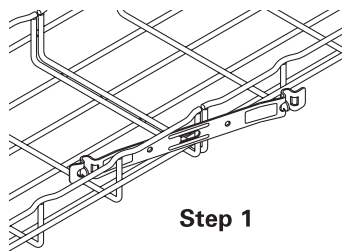


### Application Requirements

The recommendations listed are equal for all depths (except as noted).

### Tab-Loc security without special tools.

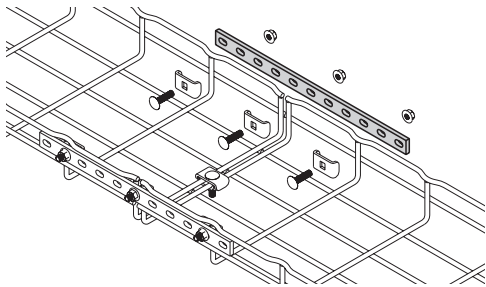
Screwdriver can also be used to bend tab-locs (hold connector ends while bending).



## Splice Bar

- Adds rigidity to washer splice methods.
- Used on side rails only (not for use in tray bottom).
- For use on trays when using splice hardware FTSCHE.
- Hardware sold separately.
- Each splice bar requires three (3) each of Hardware Splice Components - TOP WASHER, and FTSDWE 1/4 to complete connection. These items must be ordered separately.
- Washer Splice Kits (WASHER SPL KIT) are required for connections on bottom of tray.
- Finishes \_\_: **EG**, (BLE, HD, 304S and 316S available upon request).

Part Number	Bar Length		Qty./Box	Wt./Box lbs. (kg)
	in.	(mm)		
<b>SPLICE BAR__</b>	10 <sup>13</sup> / <sub>16</sub> "	(274.6)	50	14.0 (6.35)



### Splicing Chart (number of splices required for UL Classification)

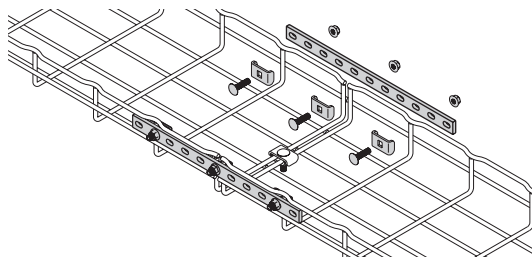
Tray Height	Tray Width - number of splices								
	2" (50mm)	4" (100mm)	6" (150mm)	8" (200mm)	12" (300mm)	16" (400mm)	18" (450mm)	20" (500mm)	24" (600mm)
2"	NC	NC	2	2	2	2	2	2	2
4"	NM	2	2	2	2	2	2	2	2
6"	NM	NM	2	2	2	2	2	2	2

NC = Not UL Classified in this size    NM = Flextray is not manufactured in this size

## Splice Bar Kit

- Adds rigidity.
- Includes two (2) SPLICE BAR and hardware.
- Finishes \_\_: **ZN** (FB and SS6 available upon request).

Part Number	Bar Length		Qty./Box	Wt./Box lbs. (kg)
	in.	(mm)		
<b>FTSBK__</b>	12"	(304.8)	5 Sets	6.4 (2.90)



### Splicing Chart (number of splices required for UL Classification)

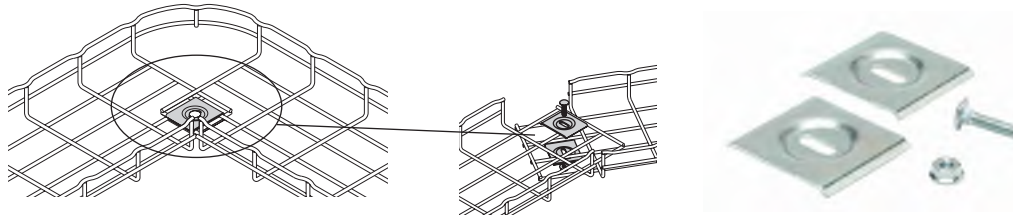
Tray Height	Tray Width - number of splices								
	2" (50mm)	4" (100mm)	6" (150mm)	8" (200mm)	12" (300mm)	16" (400mm)	18" (450mm)	20" (500mm)	24" (600mm)
2"	NC	NC	2	2	2	2	2	2	2
4"	NM	2	2	2	2	2	2	2	2
6"	NM	NM	2	2	2	2	2	2	2

NC = Not UL Classified in this size    NM = Flextray is not manufactured in this size

See page D-3 for finish and grounding information

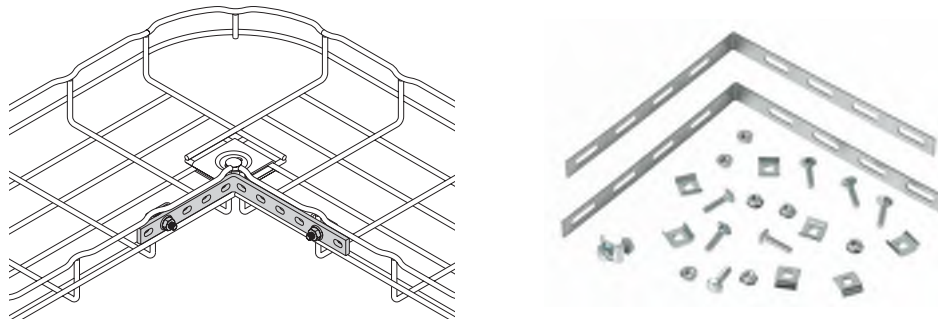
- Horizontal adjustable kit can be used to create horizontal angles from prepared Flextray straight sections.
- Conveniently poly-bagged.
- Finishes \_\_\_: **EG** (BLE and 316S available upon request).

Horizontal Adjustable Kit			
Part Number	Description	Qty./Box	Wt./Box lbs. (kg)
FTSHAK__	Horizontal Adjustable Kit	10	2.4 (1.09)



- For fast assembly of 90° turns and tee fittings.
- For use with all tray widths and sizes.
- One kit will make two 90° turns or one tee fitting.
- 90 DEGREE KIT includes: two (2) 90° splice bars and eight (8) FTSCH.
- Finishes \_\_\_: **EG** (BLE and 316S available upon request).

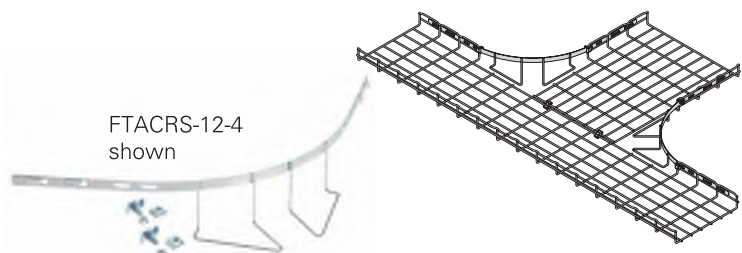
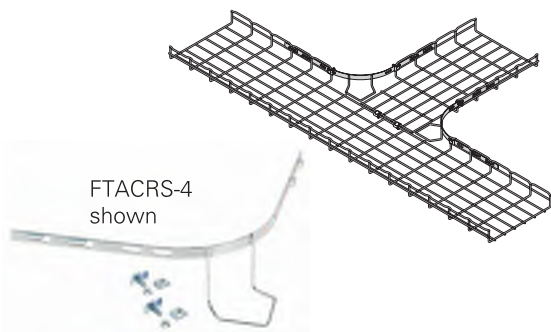
90 Degree Kit			
Part Number	Description	Qty./Box	Wt./Box lbs. (kg)
90 DEGREE KIT__	90 degree splice bar & hardware	1	1.3 (0.59)



- Helps eliminate need for field fabrication and is quick to install.
- Built in tab features for positioning onto side rails at transition locations.
- For fast assembly of a 90° bend, tee, and cross fittings.
- One kit will make one 90° bend, two kits will make one tee, and four kits will make one cross fitting.
- Kit includes: one (1) corner radius and two (2) WASHER SPL KIT.
- Finishes \_\_\_: **EG** (BLE and 316S available upon request).

## Corner Radius Kit

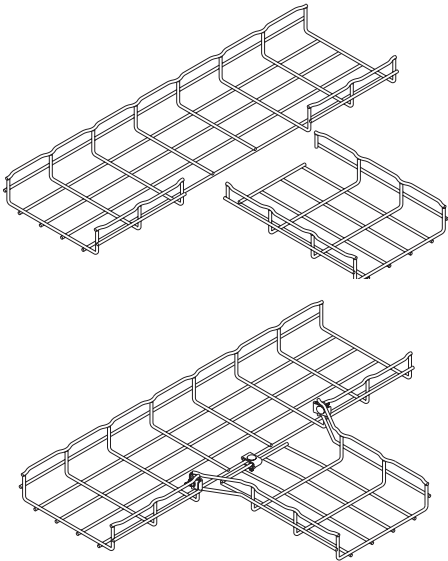
Part Number	Height in. (mm)	Radius in. (mm)	Qty. per Box	Wt./Box lbs. (kg)
FTACRS-2	2" (50.8)	6" (152.4)	1	1.3 (0.59)
FTACRS-4	4" (101.6)	6" (152.4)	1	1.3 (0.59)
FTACRS-6	6" (152.4)	6" (152.4)	1	1.3 (0.59)
FTACRS-12-2	2" (50.8)	12" (304.8)	1	1.3 (0.59)
FTACRS-12-4	4" (101.6)	12" (304.8)	1	1.3 (0.59)
FTACRS-12-6	6" (152.4)	12" (304.8)	1	1.3 (0.59)



See page D-3 for finish and grounding information

**Horizontal tees (and crosses)**

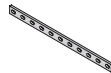
- Cut wire side sections as shown in the illustration below (Illustration is for a 8" (200mm) width)
- 2" deep Flextray has two (2) side wires - (shown below)
- 4" deep Flextray has three (3) side wires
- 6" deep Flextray has four (4) side wires
- For crosses, duplicate process on opposite side



Tray Width in. (mm)	WASHER SPL KIT Qty.
2" (50)	2
4" (100)	2
6" (150)	3
8" (200)	3
12" (300)	4
16" (400)	4
18" (450)	4
20" (500)	4
24" (600)	4
30" (750)	5
32" (800)	5

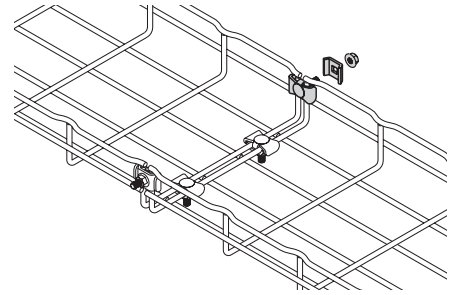
## Components Required to Connect Two Sections of Flextray

System Part Number	System Width in. (mm)	Connector Assembly WASHER SPL KIT	Connecting Hardware FTSCH	Splice Plate FTS3SP	Splice Bar SPLICE BAR
FT2X2 †	2" (50)	2	—	—	—
FT2X4 †	4" (100)	2	—	—	—
FT2X6	6" (150)	3 <sup>1</sup>	—	—	—
FT2X8	8" (200)	3 <sup>1</sup>	—	—	—
FT2X12	12" (300)	3 <sup>1</sup>	—	—	—
FT2X16	16" (400)	4 <sup>1</sup>	—	—	—
FT2X18	18" (450)	4 <sup>1</sup>	—	—	—
FT2X20	20" (500)	4 <sup>1</sup>	—	—	—
FT2X24	24" (600)	4 <sup>1</sup>	—	—	—
FT2X30	30" (750)	5 <sup>1</sup>	—	—	—
FT2X32	32" (800)	5 <sup>1</sup>	—	—	—
FT4X4	4" 100	3 <sup>1</sup>	—	—	—
FT4X6	6" 150	3 <sup>1</sup>	—	—	—
FT4X8	8" 200	3 <sup>1</sup>	—	—	—
FT(*)X12	12" 300	3 <sup>1</sup>	—	—	—
FT(*)X16	16" 400	4 <sup>1</sup>	—	—	—
FT(*)X18	18" (450)	4 <sup>1</sup>	—	—	—
FT(*)X20	20" 500	4 <sup>1</sup>	—	—	—
FT(*)X24	24" 600	4 <sup>1</sup>	—	—	—
FT(*)X30	30" (750)	5 <sup>1</sup>	—	—	—
FT2X2 †	2" (50)	—	2	2	—
FT2X4 †	4" (100)	—	2	2	—
FT2X6	6" (150)	1	2	2	—
FT2X8	8" (200)	1	2	2	—
FT2X12	12" (300)	1	2	2	—
FT2X16	16" (400)	2	2	2	—
FT2X18	18" (450)	2	2	2	—
FT2X20	20" (500)	2	2	2	—
FT2X24	24" (600)	2	2	2	—
FT2X30	30" (750)	3	2	2	—
FT2X32	32" (800)	3	2	2	—
FT4X4	4" (100)	1	2	2	—
FT4X6	6" (150)	1	2	2	—
FT4X8	8" (200)	1	2	2	—
FT(*)X12	12" (300)	1	2	2	—
FT(*)X16	16" (400)	2	2	2	—
FT(*)X18	18" (450)	2	2	2	—
FT(*)X20	20" (500)	2	2	2	—
FT(*)X24	24" (600)	2	2	2	—
FT(*)X30	30" (750)	3	2	2	—
FT2X2 †	2" (50)	—	6	—	2
FT2X4 †	4" (100)	—	6	—	2
FT2X6	6" (150)	1	6	—	2
FT2X8	8" (200)	1	6	—	2
FT2X12	12" (300)	1	6	—	2
FT2X16	16" (400)	2	6	—	2
FT2X18	18" (450)	2	6	—	2
FT2X20	20" (500)	2	6	—	2
FT2X24	24" (600)	2	6	—	2
FT2X30	30" (750)	3	6	—	2
FT2X32	32" 800	3	6	—	2
FT4X4	4" (100)	1	6	—	2
FT4X6	6" (150)	1	6	—	2
FT4X8	8" (200)	1	6	—	2
FT(*)X12	12" (300)	1	6	—	2
FT(*)X16	16" (400)	2	6	—	2
FT(*)X18	18" (450)	2	6	—	2
FT(*)X20	20" (500)	2	6	—	2
FT(*)X24	24" (600)	2	6	—	2
FT(*)X30	30" (750)	3	6	—	2



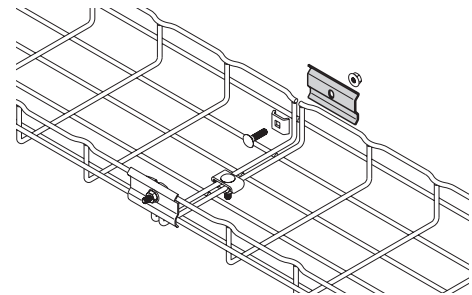
(\*) 4 for 4" Deep Flextray  
6 for 6" Deep Flextray

### Washer Splice Kits



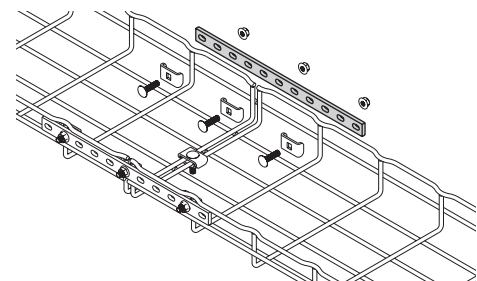
<sup>1</sup> Install one kit on each side and remaining kit(s) on bottom.

### Splice Plates



Install splice plates on sides and WASHER SPL KIT on bottom.

### Splice Bars



Install splice bars on sides and WASHER SPL KIT on bottom.

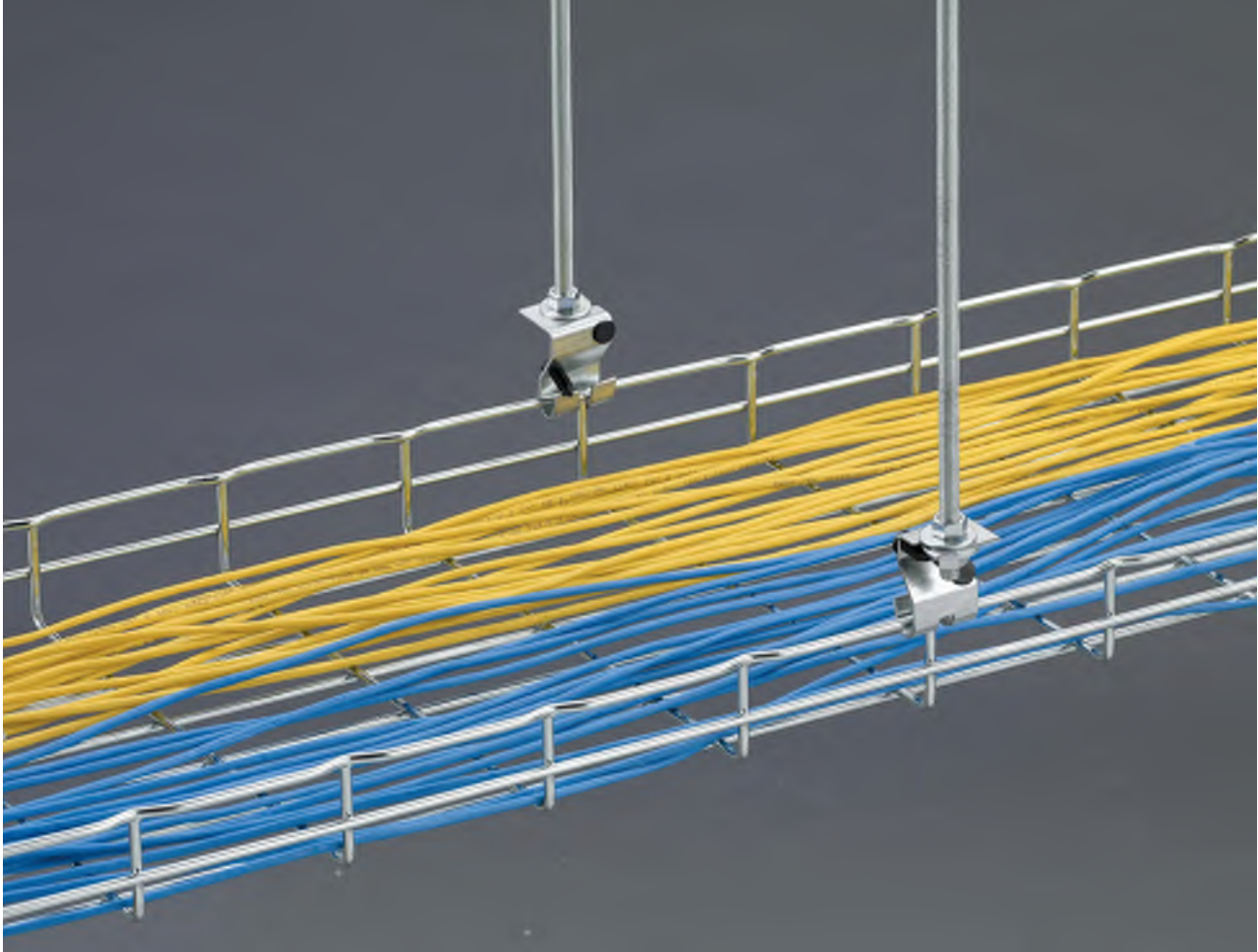
† Sizes not UL Classified

Splice Plate Kits for 2" Deep Flextray

Part Number	System Width		Weight Per 100		Box Quantity	Conveniently poly-bagged for use with 2" Deep Flextray
	in.	(mm)	lbs.	(kg)		
FTS20SK	2"	(50)	2.91	(1.32)	10	
	4"	(100)				
FTS21SK	6"	(150)	3.63	(1.64)	10	
	8"	(200)				
	12"	(300)				
FTS22SK	16"	(300)	4.35	(1.97)	10	
	18"	(450)				
	20"	(500)				
	24"	(600)				
FTS23SK	30"	(750)	5.07	(2.30)	10	
	32"	(800)				

Splice Plate Kits for 4" & 6" Deep Flextray

Part Number	System Width		Weight Per 100		Box Quantity	Conveniently poly-bagged for use with 4" & 6" Deep Flextray
	in.	(mm)	lbs.	(kg)		
FTS21SK	4"	(100)	3.63	(1.64)	10	
	6"	(150)				
	8"	(200)				
	12"	(300)				
FTS22SK	16"	(400)	4.35	(1.97)	10	
	18"	(450)				
	20"	(500)				
	24"	(600)				
FTS23SK	30"	(750)	5.07	(2.30)	10	

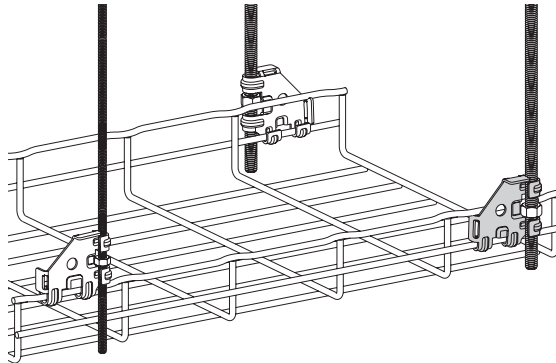


## Flip Clip™

- Accommodates 1/4" and 3/8" rod sizes.
- Installs quickly with a screwdriver or pliers thus reducing installation time.
- Requires only one hex nut (not included) to hang and level the Flextray.
- Retainer tabs can be bent over to lock-in the threaded rod and wire basket.
- Finishes \_\_: **ZN** (FB and SS6 available upon request).

Part Number	Description	Qty./Box	Wt./Box lbs. (kg)
WB46H__	Flip Clip™	50	5.2 (2.36)

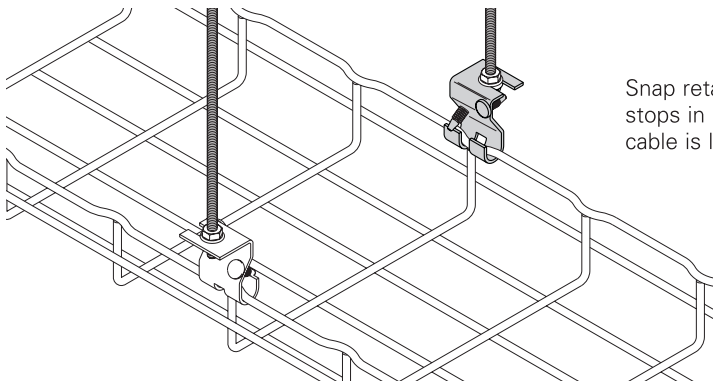
Snap retainer stops in place after cable is loaded.



## Trapeze Support

- Trapeze Clip installs fast.
- For use with trays up to 4" (100mm) deep, 12" (300mm) wide, and spans up to 8'-0" (2.44m).
- Tray can be released from support to allow side cable loading.
- Accepts 1/4" and 3/8" threaded rod sizes.
- Finishes \_\_: **GS** (BLE available upon request).

Part Number	Description	Qty./Box	Wt./Box lbs. (kg)
TRAPEZE SUPT2__	Trapeze Support Clip	50 trapeze clips 100 retainer stops	7.0 (3.17)

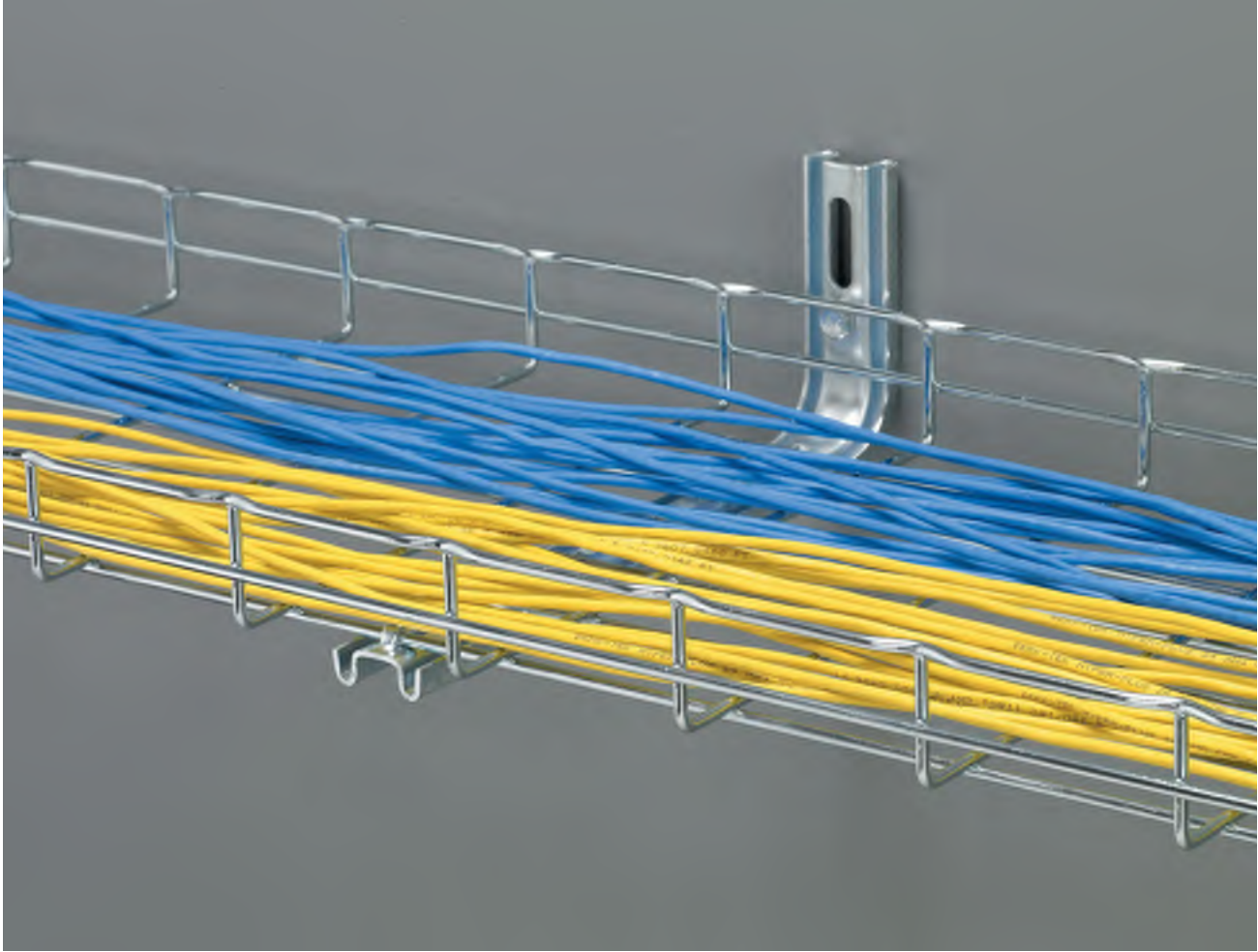


Snap retainer stops in place after cable is loaded.



See page D-3 for finish information

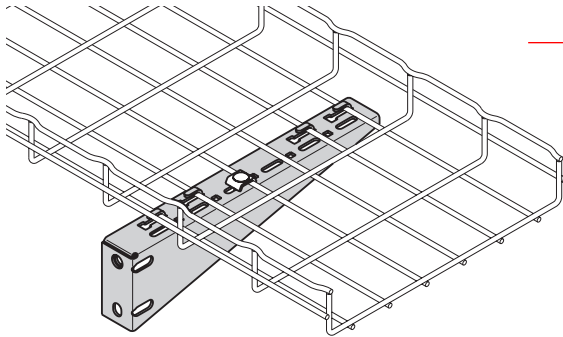
# Flextray wire basket - wall support methods



Flextray

## Shelf Brackets

- Heavy-duty support bracket.
- For use with 6" (150mm) to 24" (600mm) wide trays.
- Built-in tab for hold down.
- Optional hardware (FTSCH) sold separately.
- Finishes \_\_: **GLV** (HDG and SS6 available upon request).



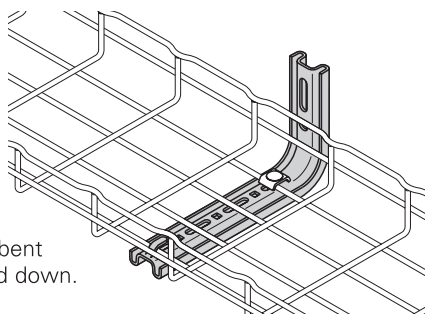
Part Number	Use With Tray Width in. (mm)	Qty./Box	Wt./Pc. lbs. (kg)
FTB06CS__	6" (150)	1	0.5 (0.22)
FTB08CS__	8" (200)	1	0.6 (0.27)
FTB12CS__	12" (300)	1	1.2 (0.54)
FTB16CS__	16" (400)	1	1.7 (0.77)
FTB18CS__	18" (450)	1	1.9 (0.86)
FTB20CS__	20" (500)	1	2.6 (1.18)
FTB24CS__	24" (600)	1	3.2 (1.45)



## L Brackets

- Installs tray to wall cleanly.
- Built-in tab for hold down (not available in stainless steel).
- For use with 4" (100mm) to 24" (600mm) wide trays.
- Use with pedestal clamp in raised floor applications.
- Optional hardware (FTSCH) sold separately.
- Finishes \_\_: **EG** (HD, BLE and 316S available upon request).

Part Number	Use With Tray Width in. (mm)	Qty./Box	Wt./Pc. lbs. (kg)
4 L BRKT__	4" (100)	1	0.6 (0.27)
8 L BRKT__	6" (150) 8" (200)	1	0.8 (0.36)
12 L BRKT__	12" (300)	1	1.3 (0.59)
16 L BRKT__	16" (400)	1	1.4 (0.63)
20 L BRKT__	18" (450) 20" (500)	1	2.0 (0.91)
24 L BRKT__	24" (600)	1	2.3 (1.04)

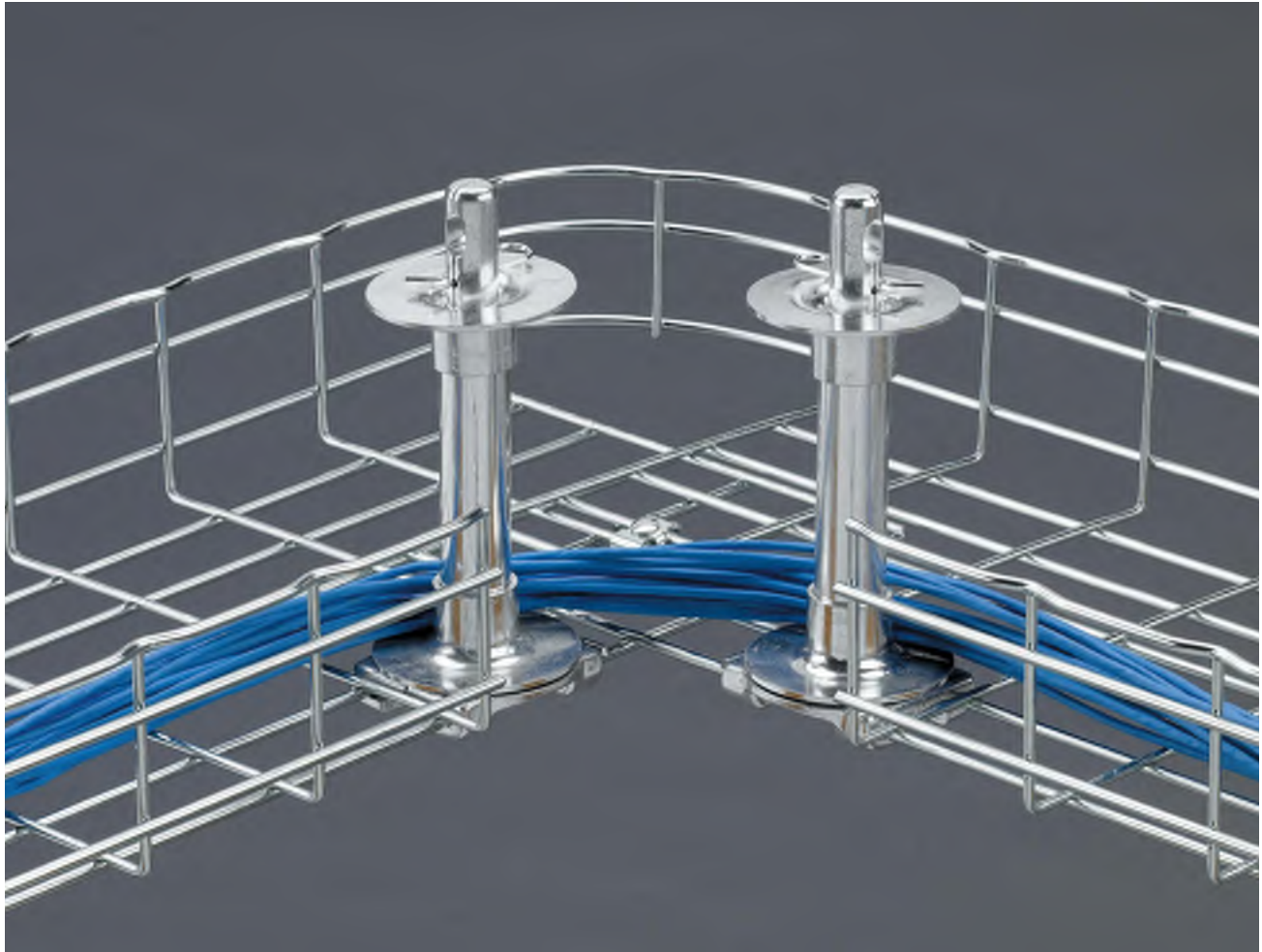


Tab can be bent over for hold down.



12 L BRKT

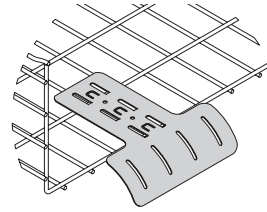
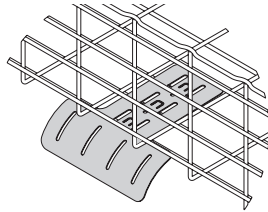
See page D-3 for finish information



## Drop out fitting

Part Number	Description	Qty./Box	Wt./Box lbs. (kg)
DROP OUT__	Drop Out Fitting	50	15.0 (6.8)

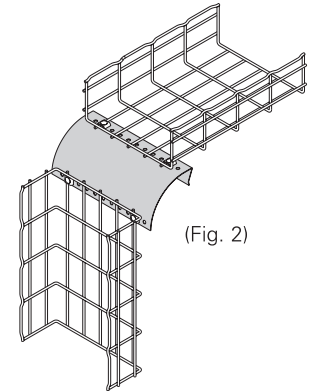
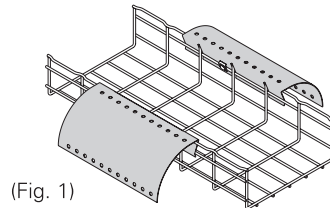
- Keeps cable radius secure at drop point
- Retention tabs to secure positioning
- For use with 4" (100mm) to 32" (800mm) wide trays
- Attaches to tray without hardware
- Drop outs can be attached at bottom, side or ends of tray
- Retention tabs on bottom of drop out to secure positioning
- Finishes \_\_: **EG** (BLE and SS6 also available upon request)



## Side drop out fitting

Part Number	Width in. (mm)	Qty./Box	Wt./Box lbs. (kg)
FTA6SDO	6.0 (152.4)	10	7.17 (3.2)
FTA8SDO	8.0 (203.2)	10	9.57 (4.3)
FTA12SDO	12.0 (304.8)	10	14.35 (6.5)

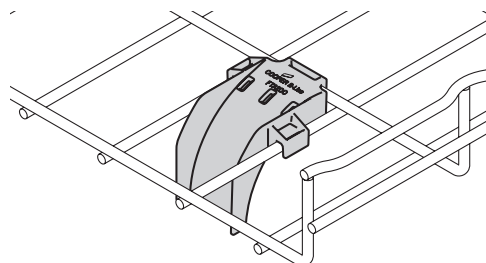
- Keeps cable radius secure at drop point
- For use with 4" (100mm) to 32" (800mm) wide trays (Fig. 1)
- For use with 6" (152mm) to 12" (300mm) wide trays (Fig. 2)
- Drop outs can be attached at side or ends of tray as shown
- Finishes \_\_: **EG** (BLE and SS6 also available upon request)



## Cable drop out

Part Number	Description	Qty./Box	Wt./Box lbs. (kg)
FTA2DO	Cable Drop Out	10	0.17 (0.08)

- Non-metallic 2" (50mm) radius Cable Drop-Out snap locks into mesh bottom and protects cables from sharp bend
- Material: Black Plenum-rated Plastic



See page D-3 for finish information

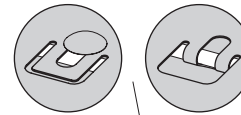
## Solid bottom inserts

Part Number	For Tray Width Of		Qty./Box	Wt./Box	
	in.	mm		lbs.	kg
INSERT 4X118__	4"	(100)	1	6.8	(3.08)
INSERT 6X118__	6"	(150)	1	9.8	(4.44)
INSERT 8X118__	8"	(200)	1	13.3	(6.03)
INSERT 12X118__	12"	(300)	1	21.6	(9.80)
INSERT 16X118__	16"	(400)	1	26.4	(11.97)
INSERT 18X118__	18"	(450)	1	32.4	(14.69)
INSERT 20X118__	20"	(500)	1	32.9	(14.92)
INSERT 24X118__	24"	(600)	1	39.3	(17.82)

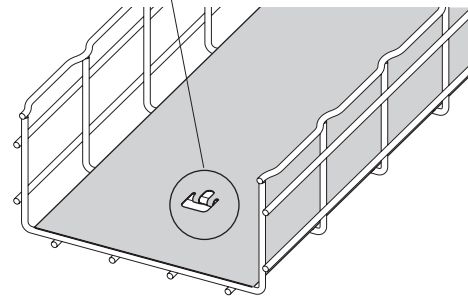


Attach with  
FTHDWE 1/4  
& Top Washer

- Continuous support for sensitive cables
- Security of cable in high-traffic areas
- Hardware included
- Available for 4" (100mm) to 24" (600mm) wide trays
- Comes in 118" (2997mm) length
- Finishes \_\_: **GS** (BLE, 304S and 316S also available upon request)



Attachment  
methods

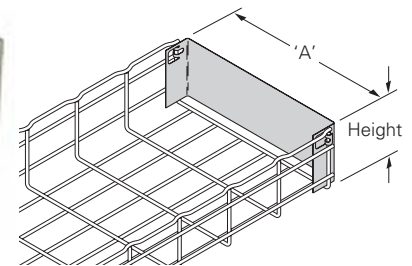


## Blind ends

Part Number	'A' in. (mm)	Height in. (mm)	Box Quantity
FT BE 2X2	2" (50)	2" (50)	1
FT BE (*)X4	4" (100)	(*) (*)	1
FT BE (*)X6	6" (150)	(*) (*)	1
FT BE (**)X8	8" (200)	(*) (*)	1
FT BE (**)X12	12" (300)	(**) (**)	1
FT BE (**)X16	16" (400)	(**) (**)	1
FT BE (**)X18	18" (450)	(**) (**)	1
FT BE (**)X20	20" (500)	(**) (**)	1
FT BE (**)X24	24" (600)	(**) (**)	1

- Tab features eliminate need for hardware
- Forms a closure for a dead-end Flextray
- Hardware included
- Finish: **GLV** (SS6 also available upon request)

(\*) Insert: 2 = 2" (50 mm), **4 = 4"** (100 mm) for height  
 (\*\*\*) Insert: 2 = 2" (50mm), **4 = 4"** (100mm),  
**6 = 6"** (150mm) for height

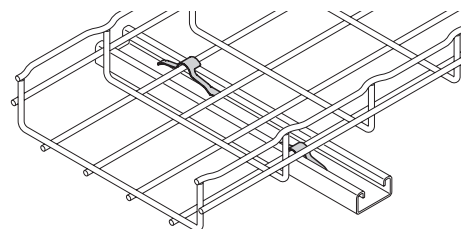


## Strut mounting clip

Part Number	Description	Qty./Box	Wt./Box lbs. (kg)
BW4	Strut Mounting Clip	100	0.9 (0.41)



- Use to secure FLEXTRAY to horizontal strut support
- Designed for use as shown in drawing (no load rating)
- Finish: Black Zinc Phosphate



See page D-3 for finish information

**REVIEW ACTION PAGE**

**CONTRACTOR**

**ARCHITECT**



**SUBMITTAL REVIEW**

Job No. 223008.300

Submittal No. 260519-5.0

This review and notations part of this review does not in any way relieve the subcontractor or supplier of their responsibility for compliance with the contract documents. Deviations and/or variances, if allowed, must be clearly identified and requested to be considered. Also, the subcontractor or supplier is responsible for verification and accuracy of details, quantities, dimensions, coordination of their equipment, materials, and installation with all affected work and with related subcontractors and/or suppliers, particularly with specific emphasis on deviations and/or variations.

Submitted By: D. Bonebrake Date: 07/17/24

**OWNER**

**CONSULTANT**



## **Eikon Therapeutics Tenant Improvement**

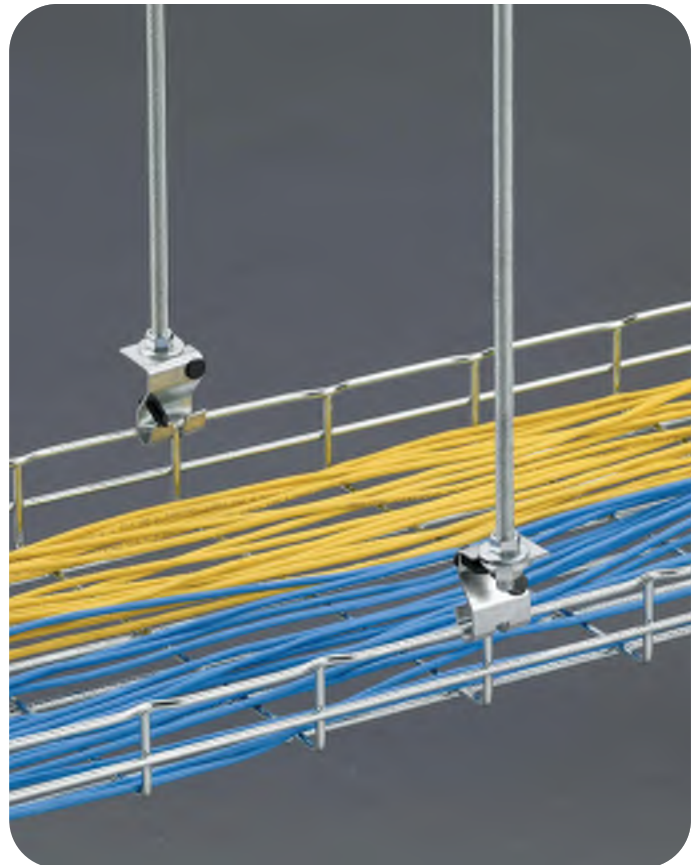
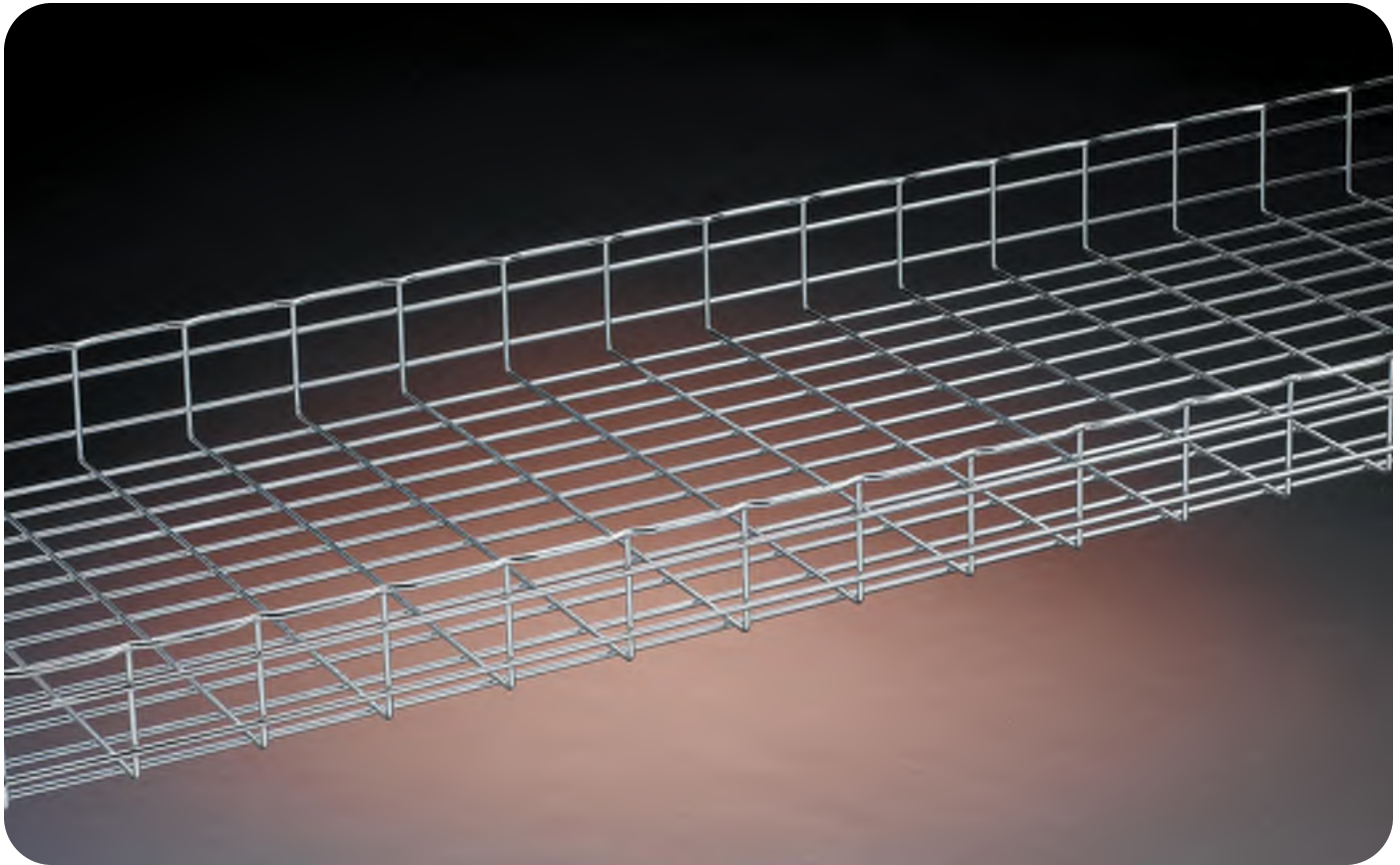
**REG Job #6727**

**Basket Tray Submittal  
“For Review and Approval”**

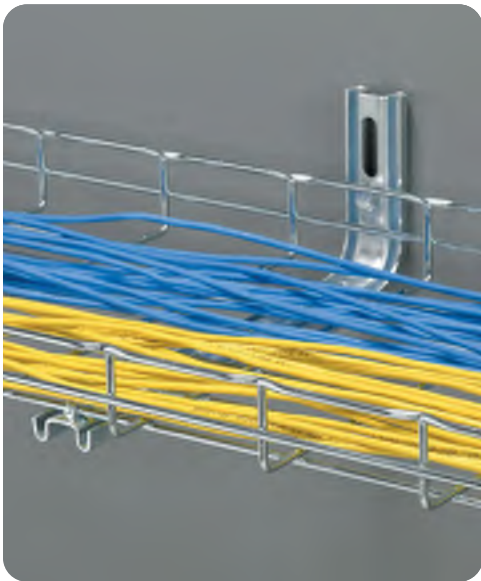
Redwood Electric Group, Inc.  
2775 Northwestern Parkway  
Santa Clara, CA 95051

July 16, 2024

# Flextray wire basket



Flextray



The Flextray™ system is a flexible, field-adaptable way to manage cables throughout your project. The tray can be cut and bent to the needs of the installer on the jobsite, allowing cable runs to be adjusted as needed. The wide range of sizes offered makes Flextray a great choice for everything from a small cable drop to a large trunk of cables. Our tray has the market-preferred “T” weld safety edge, protecting both the cable and the installer during cable installation. Flextray is also UL Classified as an equipment grounding conductor.

## Finish Information

Flextray cable tray and accessories are available in a wide variety of finishes to meet the environmental or aesthetic requirements of customer installations. Use the list below to find the finish and suffix that will meet your needs.

Available product finishes will be listed on individual pages throughout the catalog.

Finish codes shown in **bold** type are the standard for that product.

Plain wire: ASTM A510, Grade 1008

**EG** Electroplated zinc galvanized finish applied after fabrication  
(ELG) Recommended applications: Controlled interior  
UL/CSA Classified as an equipment ground conductor when spliced as recommended  
ASTM B633 - Average thickness of 0.3 mils (8 microns)

**GS** Pre-galvanized zinc finish applied before fabrication  
(GLV) Recommended applications: Limited industrial & interior  
UL/CSA Classified as an equipment ground conductor when spliced as recommended  
ASTM A641

**BLE** Black powder coat finish applied after fabrication  
Recommended applications: Controlled interior  
UL/CSA Classified as an equipment ground conductor when coating has been removed at splice contact points  
Average paint thickness of 1.2 mils (30 microns) to 3.0 mils (75 microns)

**HD** Hot dip galvanized finish applied after fabrication  
(HDG) Recommended applications: Exterior, corrosive. Not intended for clean room applications.  
UL/CSA Classified as an equipment ground conductor when spliced as recommended  
ASTM A123 - Average thickness of 2.4 mils (60 microns) to 3.2 mils (80 microns)

**304S** 304L Stainless steel  
(SS4) Recommended applications: Food preparation, wash-down areas  
ASTM A580

**316S** 316L Stainless steel  
(SS6) Recommended applications: Highly corrosive applications & marine environments  
ASTM A580

Custom powder coat finish applied after fabrication  
Recommended applications: Controlled interior  
UL/CSA Classified as an equipment ground conductor when coating has been removed at splice contact points  
No Specification

## Grounding Information

Statement for all UL Classified products:



This product is classified by Underwriters Laboratories, Inc. as to its suitability as an equipment grounding conductor only. 556E



Most sizes of the Flextray system are UL Classified to serve as an Equipment Ground Conductor. The ground path can be achieved in one of two ways listed on page D-4:

## Grounding Information (cont.)

1. Use the recommended quantity of UL Classified splices to connect sections and at places where the tray is cut.
2. Run an appropriately sized ground wire alongside the tray and attach it to each tray section and on both sides of a cut in the tray. (This method is recommended by NEMA VE-2 Installation Manual.)

## Load & Fill Chart

Flextray Series		Support Span / Loading Capacity*				Cable Fill (50% fill)**			
Part Number	Size height x width	Lbs/Ft (max)				Actual Area Inside Tray (in <sup>2</sup> )	Number of Cables***		
		5'-0"	6'-0"	7'-0"	8'-0"		5e Cables***	CAT 6 Cables***	CAT 6A Cables***
FT2X2	2" x 2"	34	28	24	20	4.3	61	43	33
FT2X4	2" x 4"	52	43	35	27	8.2	118	83	64
FT2X6	2" x 6"	66	47	35	27	12.1	175	123	95
FT2X8	2" x 8"	66	47	35	27	16.1	231	163	125
FT2X12	2" x 12"	68	47	35	27	23.9	345	243	187
FT2X16	2" x 16"	68	47	35	27	31.8	459	324	249
FT2X18	2" x 18"	68	47	35	27	35.8	516	364	280
FT2X20	2" x 20"	68	47	35	27	39.7	573	404	311
FT2X24	2" x 24"	68	47	35	27	47.5	686	484	372
FT2X30	2" x 30"	68	47	35	27	59.8	862	608	468
FT2X32	2" x 32"	77	53	39	30	63.3	914	645	496
FT4X4	4" x 4"	58	49	42	36	15.8	227	160	123
FT4X6	4" x 6"	93	77	60	46	23.6	341	240	185
FT4X8	4" x 8"	94	78	61	47	31.5	454	321	247
FT4X12	4" x 12"	119	83	61	47	47.5	686	484	372
FT4X16	4" x 16"	119	83	61	47	63.5	917	647	498
FT4X18	4" x 18"	119	83	61	47	71.5	1032	728	560
FT4X20	4" x 20"	119	83	61	47	79.5	1148	810	623
FT4X24	4" x 24"	128	89	65	50	95.5	1379	973	749
FT4X30	4" x 30"	128	89	65	50	119.5	1725	1217	936
FT6X8	6" x 8"	111	77	57	43	47.3	682	481	370
FT6X12	6" x 12"	124	86	63	48	71.6	1034	729	561
FT6X16	6" x 16"	128	89	65	50	95.3	1375	970	746
FT6X18	6" x 18"	128	89	65	50	107.3	1549	1092	840
FT6X20	6" x 20"	141	98	72	55	118.9	1716	1211	932
FT6X24	6" x 24"	154	107	78	60	143.3	2068	1459	1123

\* Published load chart has not been tested with Flexmate™ splice. Please consult the factory for load information when using the Flexmate option.

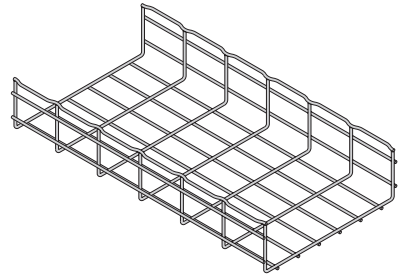
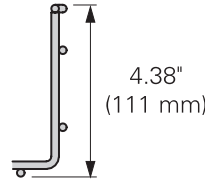
\*\* Flextray fill capacity is based on NEC allowable fill of 50%. The NEC rule requires that the cable cross-sectional areas together may not exceed 50% of the tray area (width x depth = fill). Cables will nearly completely fill the cable tray when reaching the 50% cable fill, due to empty space between the surface of the cables. TIA recommends 40% fill ratio. Flextray loads shown in the loading chart will not be exceeded at 50% fill.

\*\*\* CAT 5e 4-pr non-plenum approximated at .21 in. diameter, CAT 6 4-pr non-plenum approximated at .25 in. diameter, CAT 6A approximated at .285 diameter. Actual diameters vary by cable manufacturer.

# Flextray wire basket - straight sections

## 4" Deep Flextray

Part Number	Width		Wt. Per Pc.	
	in.	(mm)	lbs.	(kg)
FT4X4X10	4	(100)	11.25	(5.10)
FT4X6X10	6	(150)	12.79	(5.80)
FT4X8X10	8	(200)	14.32	(6.49)
FT4X12X10	12	(300)	17.39	(7.89)
FT4X16X10	16	(400)	20.45	(9.27)
FT4X18X10	18	(450)	21.99	(9.97)
FT4X20X10	20	(500)	23.52	(10.67)
FT4X24X10	24	(600)	26.59	(12.06)
FT4X30X10	30	(750)	31.19	(14.15)

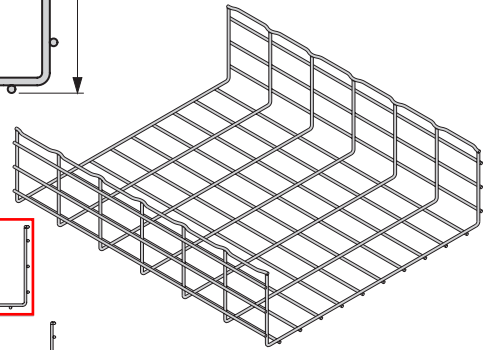
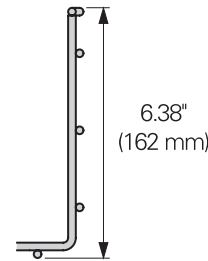


**Height:** 4.38" (111 mm)  
**Length:** 118.312" (3 meter)  
**Wire Diameter Minimum:** .196" (5.0 mm)  
**Finishes:** **EG BLE** (GS, HD, 304S and 316S available upon request).

All 4" deep Flextrays are UL Classified

## 6" Deep Flextray

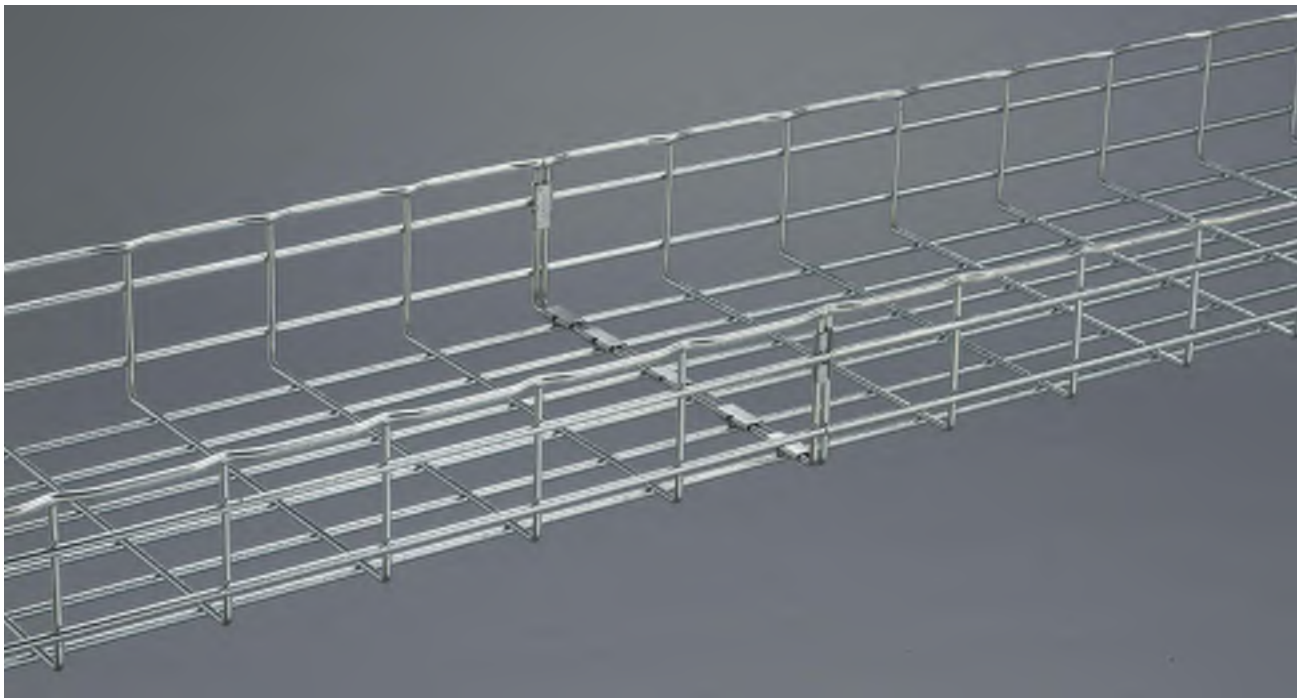
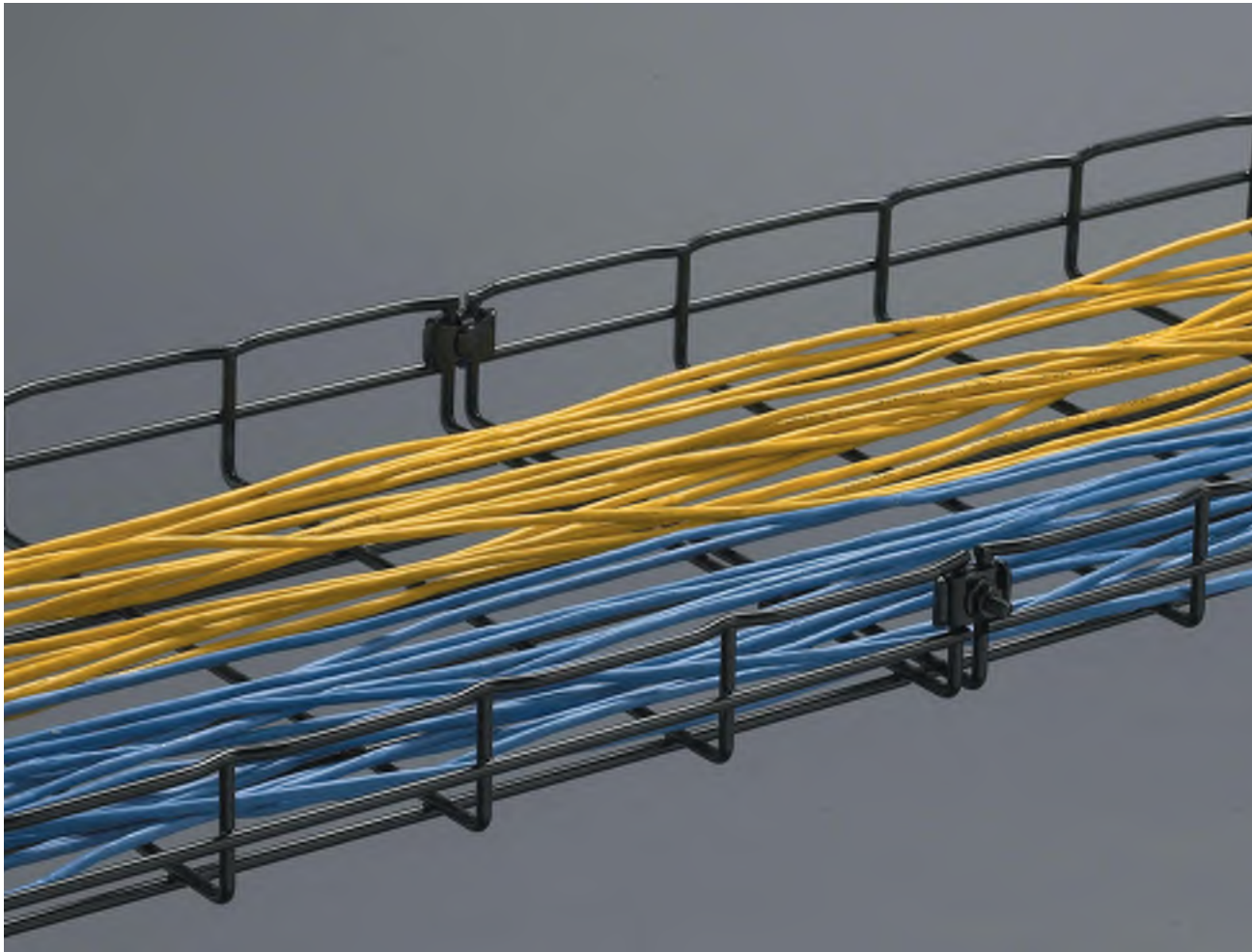
Part Number	Width		Wt. Per Pc.	
	in.	(mm)	lbs.	(kg)
FT6X8X10	8	(200)	17.39	(7.89)
FT6X12X10	12	(300)	20.45	(9.27)
FT6X16X10	16	(400)	23.52	(10.67)
FT6X18X10	18	(450)	25.06	(11.37)
FT6X20X10	20	(500)	26.59	(12.06)
FT6X24X10	24	(600)	29.66	(13.45)



**Height:** 6.38" (162 mm)  
**Length:** 118.312" (3 meter)  
**Wire Diameter Minimum:** .196" (5.0 mm)  
**Finishes:** **EG BLE** (GS, HD, 304S and 316S available upon request).

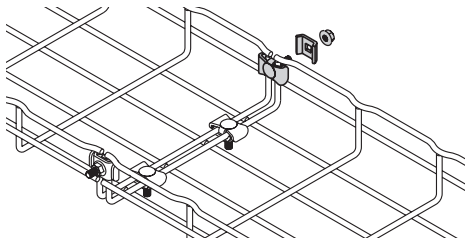
All 6" deep Flextrays are UL Classified

See page D-3 for finish information



Flextray

- Washer is staked to bolt, holding part stationary during installation.
- Fewer parts to handle.
- For use with all tray widths and sizes.
- Finishes \_\_: **EG, BLE.**



## Washer Splice Kit

Part Number	Description	Qty./Box	Wt./Box lbs. (kg)
WASHER SPL KIT__	Assembly of Staked Washer Stud/Washer & Finned Nut	100	4.5 (2.04)

- **BLE** suffix indicates black zinc finish for this part only

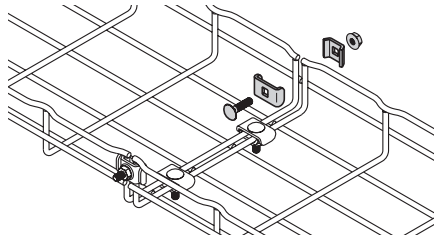
### Splicing Chart (number of splices required for UL Classification)

Tray Height	Tray Width - number of splices									
	2" (50mm)	4" (100mm)	6" (150mm)	8" (200mm)	12" (300mm)	16" (400mm)	18" (450mm)	20" (500mm)	24" (600mm)	>24" (>600mm)
2"	NC	NC	3	3	3	4	4	4	4	5
4"	NM	3	3	3	3	4	4	4	4	5
6"	NM	NM	3	3	3	4	4	4	4	5

NC = Not UL Classified in this size    NM = Flextray is not manufactured in this size

## Splice Hardware Components

- Works with all splicing needs.
- For use with all tray widths and sizes.
- Components are sold separately.
- Finishes \_\_: **EG, BLE**  
(304S and 316S available upon request).  
**FTHDWE 1/4** not available in **BLE**.



Part Number	Description	Qty./Box	Wt./Box lbs. (kg)
FTHDWE 1/4__	1/4" x 1" Carriage Bolt & Finned nut	50	2.4 (1.08)
TOP WASHER__	1" Square Splice Washer	100	2.8 (1.26)
BTM WASHER__	1 3/16" Square Splice Washer	100	4.0 (1.82)



BTM WASHER



FTHDWE 1/4



TOP WASHER

### Splicing Chart (number of splices required for UL Classification)

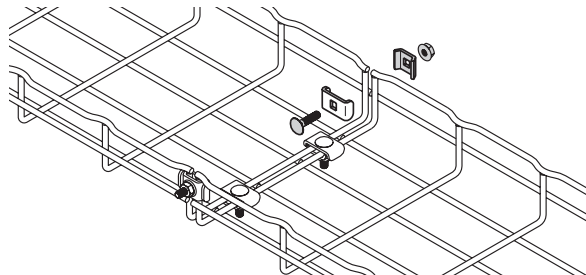
Tray Height	Tray Width - number of splices									
	2" (50mm)	4" (100mm)	6" (150mm)	8" (200mm)	12" (300mm)	16" (400mm)	18" (450mm)	20" (500mm)	24" (600mm)	>24" (>600mm)
2"	NC	NC	3	3	3	4	4	4	4	5
4"	NM	3	3	3	3	4	4	4	4	5
6"	NM	NM	3	3	3	4	4	4	4	5

NC = Not UL Classified in this size    NM = Flextray is not manufactured in this size

See page D-3 for finish and grounding information

## Connecting Hardware

Part Number	Description	Qty./Box	Wt./Box lbs. (kg)
FTSCH__	Connecting Hardware	50	2.0 (0.91)



- Adaptable and designed for use with splice plate (FTS3SP), SPLICE BAR, and long splice bar (FTS36SB).
- Finishes \_\_: **EG** (BLE-BLO, 304S and 316S available upon request).

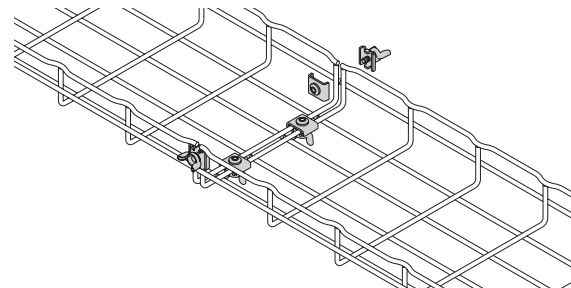
## Splicing Chart (number of splices required for UL Classification)

Tray Height	Tray Width - number of splices									
	2" (50mm)	4" (100mm)	6" (150mm)	8" (200mm)	12" (300mm)	16" (400mm)	18" (450mm)	20" (500mm)	24" (600mm)	>24" (>600mm)
2"	NC	NC	3	3	3	4	4	4	4	5
4"	NM	3	3	3	3	4	4	4	4	5
6"	NM	NM	3	3	3	4	4	4	4	5

NC = Not UL Classified in this size    NM = Flextray is not manufactured in this size

## Wing Splice

Part Number	Description	Qty./Box	Wt./Box lbs. (kg)
FTSWN__	Wing Splice™	50	3.0 (1.38)



- Two piece design for easy handling.
- Tool-less installation.
- Reduces installation time, especially when used on fittings and bends.
- Finish\_\_: **ZN**.

## Splicing Chart (number of splices required for UL Classification)

Tray Height	Tray Width - number of splices									
	2" (50mm)	4" (100mm)	6" (150mm)	8" (200mm)	12" (300mm)	16" (400mm)	18" (450mm)	20" (500mm)	24" (600mm)	>24" (>600mm)
2"	NC	NC	3	3	3	4	4	4	4	5
4"	NM	3	3	3	3	4	4	4	4	5
6"	NM	NM	3	3	3	4	4	4	4	5

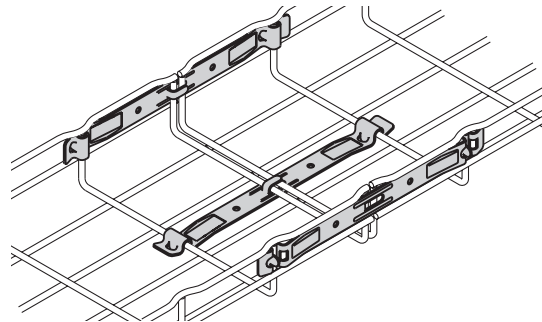
NC = Not UL Classified in this size    NM = Flextray is not manufactured in this size

See page D-3 for finish and grounding information

## Tab-Loc Connector

Part Number	Description	Length in. (mm)	Qty./Box	Wt./Box lbs. (kg)
FTSTLC__	Tab-Loc Connectors	9.29" (235.9)	50	7.2 (3.26)

- Fast splice for straight runs of tray.
- For use with 2" (50mm) to 32" (800mm) wide tray to connect straight sections only.
- Finishes \_\_: **ZN** (SS6 available upon request).

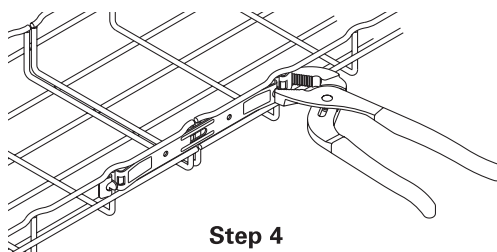
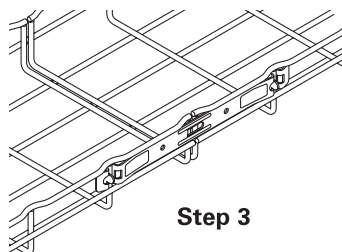
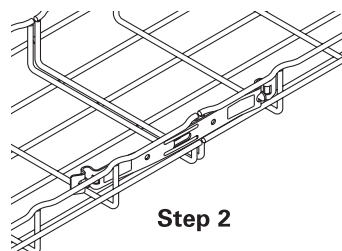
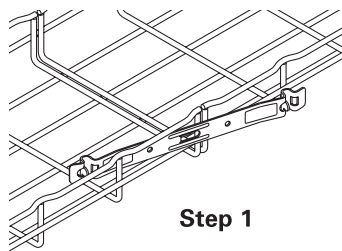


### Application Requirements

The recommendations listed are equal for all depths (except as noted).

### Tab-Loc security without special tools.

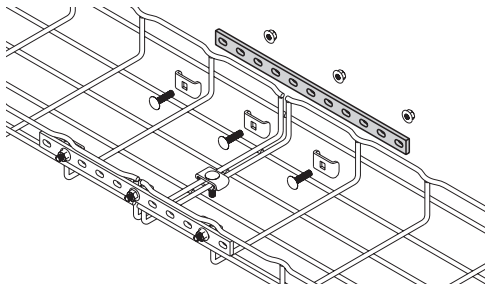
Screwdriver can also be used to bend tab-locs (hold connector ends while bending).



## Splice Bar

- Adds rigidity to washer splice methods.
- Used on side rails only (not for use in tray bottom).
- For use on trays when using splice hardware FTSCHE.
- Hardware sold separately.
- Each splice bar requires three (3) each of Hardware Splice Components - TOP WASHER, and FTSDWE 1/4 to complete connection. These items must be ordered separately.
- Washer Splice Kits (WASHER SPL KIT) are required for connections on bottom of tray.
- Finishes \_\_: **EG**, (BLE, HD, 304S and 316S available upon request).

Part Number	Bar Length		Qty./Box	Wt./Box lbs. (kg)
	in.	(mm)		
<b>SPLICE BAR__</b>	10 <sup>13</sup> / <sub>16</sub> "	(274.6)	50	14.0 (6.35)



### Splicing Chart (number of splices required for UL Classification)

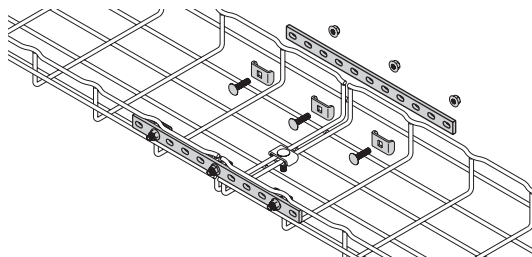
Tray Height	Tray Width - number of splices								
	2" (50mm)	4" (100mm)	6" (150mm)	8" (200mm)	12" (300mm)	16" (400mm)	18" (450mm)	20" (500mm)	24" (600mm)
2"	NC	NC	2	2	2	2	2	2	2
4"	NM	2	2	2	2	2	2	2	2
6"	NM	NM	2	2	2	2	2	2	2

NC = Not UL Classified in this size    NM = Flextray is not manufactured in this size

## Splice Bar Kit

- Adds rigidity.
- Includes two (2) SPLICE BAR and hardware.
- Finishes \_\_: **ZN** (FB and SS6 available upon request).

Part Number	Bar Length		Qty./Box	Wt./Box lbs. (kg)
	in.	(mm)		
<b>FTSBK__</b>	12"	(304.8)	5 Sets	6.4 (2.90)



### Splicing Chart (number of splices required for UL Classification)

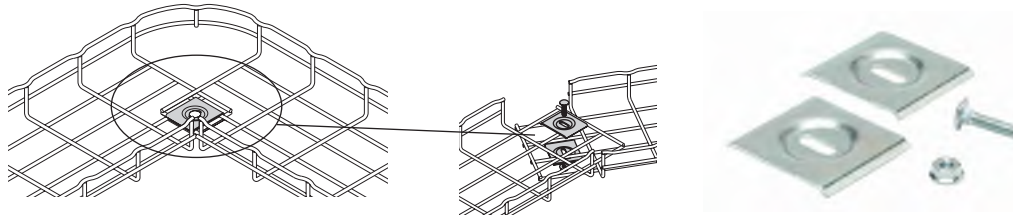
Tray Height	Tray Width - number of splices								
	2" (50mm)	4" (100mm)	6" (150mm)	8" (200mm)	12" (300mm)	16" (400mm)	18" (450mm)	20" (500mm)	24" (600mm)
2"	NC	NC	2	2	2	2	2	2	2
4"	NM	2	2	2	2	2	2	2	2
6"	NM	NM	2	2	2	2	2	2	2

NC = Not UL Classified in this size    NM = Flextray is not manufactured in this size

See page D-3 for finish and grounding information

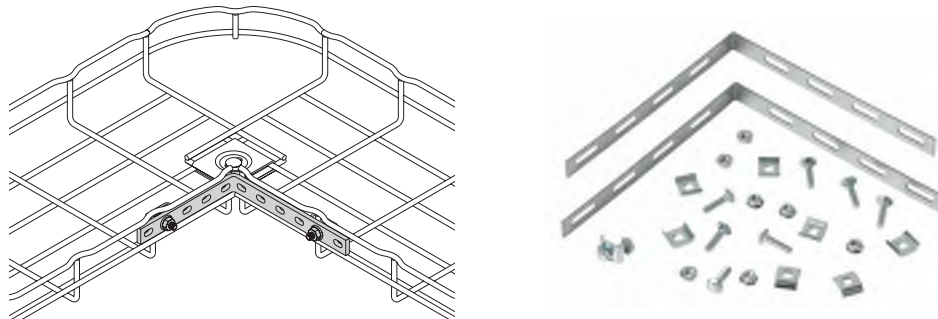
- Horizontal adjustable kit can be used to create horizontal angles from prepared Flextray straight sections.
- Conveniently poly-bagged.
- Finishes \_\_\_: **EG** (BLE and 316S available upon request).

Horizontal Adjustable Kit			
Part Number	Description	Qty./Box	Wt./Box lbs. (kg)
FTSHAK__	Horizontal Adjustable Kit	10	2.4 (1.09)



- For fast assembly of 90° turns and tee fittings.
- For use with all tray widths and sizes.
- One kit will make two 90° turns or one tee fitting.
- 90 DEGREE KIT includes: two (2) 90° splice bars and eight (8) FTSCH.
- Finishes \_\_\_: **EG** (BLE and 316S available upon request).

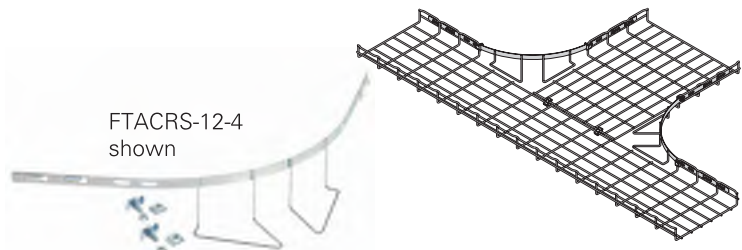
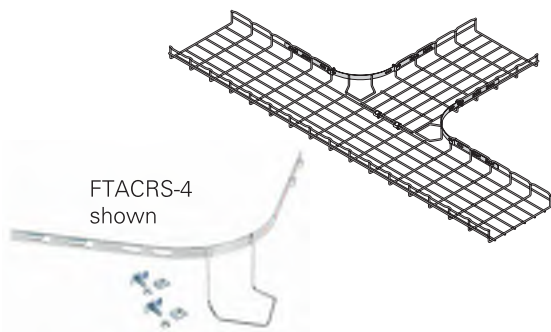
90 Degree Kit			
Part Number	Description	Qty./Box	Wt./Box lbs. (kg)
90 DEGREE KIT__	90 degree splice bar & hardware	1	1.3 (0.59)



- Helps eliminate need for field fabrication and is quick to install.
- Built in tab features for positioning onto side rails at transition locations.
- For fast assembly of a 90° bend, tee, and cross fittings.
- One kit will make one 90° bend, two kits will make one tee, and four kits will make one cross fitting.
- Kit includes: one (1) corner radius and two (2) WASHER SPL KIT.
- Finishes \_\_\_: **EG** (BLE and 316S available upon request).

## Corner Radius Kit

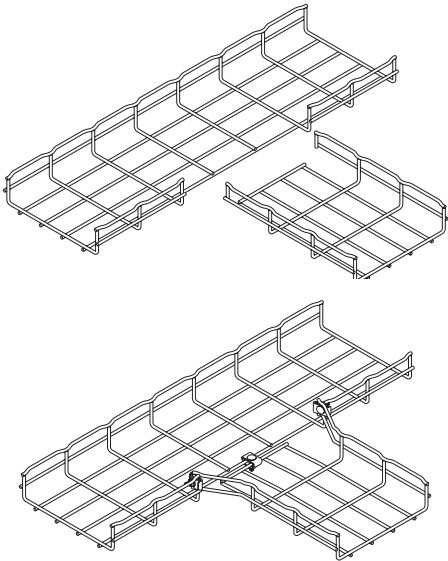
Part Number	Height in. (mm)	Radius in. (mm)	Qty. per Box	Wt./Box lbs. (kg)
FTACRS-2	2" (50.8)	6" (152.4)	1	1.3 (0.59)
FTACRS-4	4" (101.6)	6" (152.4)	1	1.3 (0.59)
FTACRS-6	6" (152.4)	6" (152.4)	1	1.3 (0.59)
FTACRS-12-2	2" (50.8)	12" (304.8)	1	1.3 (0.59)
FTACRS-12-4	4" (101.6)	12" (304.8)	1	1.3 (0.59)
FTACRS-12-6	6" (152.4)	12" (304.8)	1	1.3 (0.59)



See page D-3 for finish and grounding information

**Horizontal tees (and crosses)**

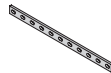
- Cut wire side sections as shown in the illustration below (Illustration is for a 8" (200mm) width)
- 2" deep Flextray has two (2) side wires - (shown below)
- 4" deep Flextray has three (3) side wires
- 6" deep Flextray has four (4) side wires
- For crosses, duplicate process on opposite side



Tray Width in. (mm)	WASHER SPL KIT Qty.
2" (50)	2
4" (100)	2
6" (150)	3
8" (200)	3
12" (300)	4
16" (400)	4
18" (450)	4
20" (500)	4
24" (600)	4
30" (750)	5
32" (800)	5

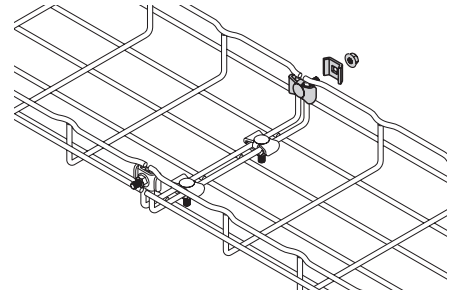
## Components Required to Connect Two Sections of Flextray

System Part Number	System Width in. (mm)	Connector Assembly WASHER SPL KIT	Connecting Hardware FTSCH	Splice Plate FTS3SP	Splice Bar SPLICE BAR
FT2X2 †	2" (50)	2	—	—	—
FT2X4 †	4" (100)	2	—	—	—
FT2X6	6" (150)	3 <sup>1</sup>	—	—	—
FT2X8	8" (200)	3 <sup>1</sup>	—	—	—
FT2X12	12" (300)	3 <sup>1</sup>	—	—	—
FT2X16	16" (400)	4 <sup>1</sup>	—	—	—
FT2X18	18" (450)	4 <sup>1</sup>	—	—	—
FT2X20	20" (500)	4 <sup>1</sup>	—	—	—
FT2X24	24" (600)	4 <sup>1</sup>	—	—	—
FT2X30	30" (750)	5 <sup>1</sup>	—	—	—
FT2X32	32" (800)	5 <sup>1</sup>	—	—	—
FT4X4	4" 100	3 <sup>1</sup>	—	—	—
FT4X6	6" 150	3 <sup>1</sup>	—	—	—
FT4X8	8" 200	3 <sup>1</sup>	—	—	—
FT(*)X12	12" 300	3 <sup>1</sup>	—	—	—
FT(*)X16	16" 400	4 <sup>1</sup>	—	—	—
FT(*)X18	18" (450)	4 <sup>1</sup>	—	—	—
FT(*)X20	20" 500	4 <sup>1</sup>	—	—	—
FT(*)X24	24" 600	4 <sup>1</sup>	—	—	—
FT(*)X30	30" (750)	5 <sup>1</sup>	—	—	—
FT2X2 †	2" (50)	—	2	2	—
FT2X4 †	4" (100)	—	2	2	—
FT2X6	6" (150)	1	2	2	—
FT2X8	8" (200)	1	2	2	—
FT2X12	12" (300)	1	2	2	—
FT2X16	16" (400)	2	2	2	—
FT2X18	18" (450)	2	2	2	—
FT2X20	20" (500)	2	2	2	—
FT2X24	24" (600)	2	2	2	—
FT2X30	30" (750)	3	2	2	—
FT2X32	32" (800)	3	2	2	—
FT4X4	4" (100)	1	2	2	—
FT4X6	6" (150)	1	2	2	—
FT4X8	8" (200)	1	2	2	—
FT(*)X12	12" (300)	1	2	2	—
FT(*)X16	16" (400)	2	2	2	—
FT(*)X18	18" (450)	2	2	2	—
FT(*)X20	20" (500)	2	2	2	—
FT(*)X24	24" (600)	2	2	2	—
FT(*)X30	30" (750)	3	2	2	—
FT2X2 †	2" (50)	—	6	—	2
FT2X4 †	4" (100)	—	6	—	2
FT2X6	6" (150)	1	6	—	2
FT2X8	8" (200)	1	6	—	2
FT2X12	12" (300)	1	6	—	2
FT2X16	16" (400)	2	6	—	2
FT2X18	18" (450)	2	6	—	2
FT2X20	20" (500)	2	6	—	2
FT2X24	24" (600)	2	6	—	2
FT2X30	30" (750)	3	6	—	2
FT2X32	32" 800	3	6	—	2
FT4X4	4" (100)	1	6	—	2
FT4X6	6" (150)	1	6	—	2
FT4X8	8" (200)	1	6	—	2
FT(*)X12	12" (300)	1	6	—	2
FT(*)X16	16" (400)	2	6	—	2
FT(*)X18	18" (450)	2	6	—	2
FT(*)X20	20" (500)	2	6	—	2
FT(*)X24	24" (600)	2	6	—	2
FT(*)X30	30" (750)	3	6	—	2



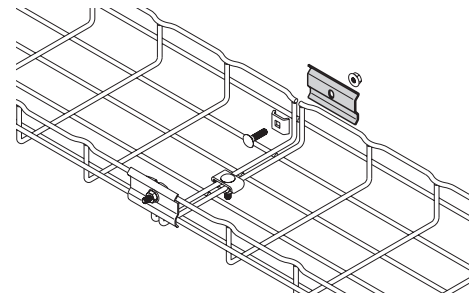
(\*) 4 for 4" Deep Flextray  
6 for 6" Deep Flextray

### Washer Splice Kits



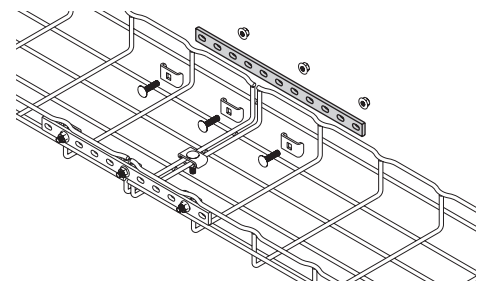
<sup>1</sup> Install one kit on each side and remaining kit(s) on bottom.

### Splice Plates



Install splice plates on sides and WASHER SPL KIT on bottom.

### Splice Bars



Install splice bars on sides and WASHER SPL KIT on bottom.

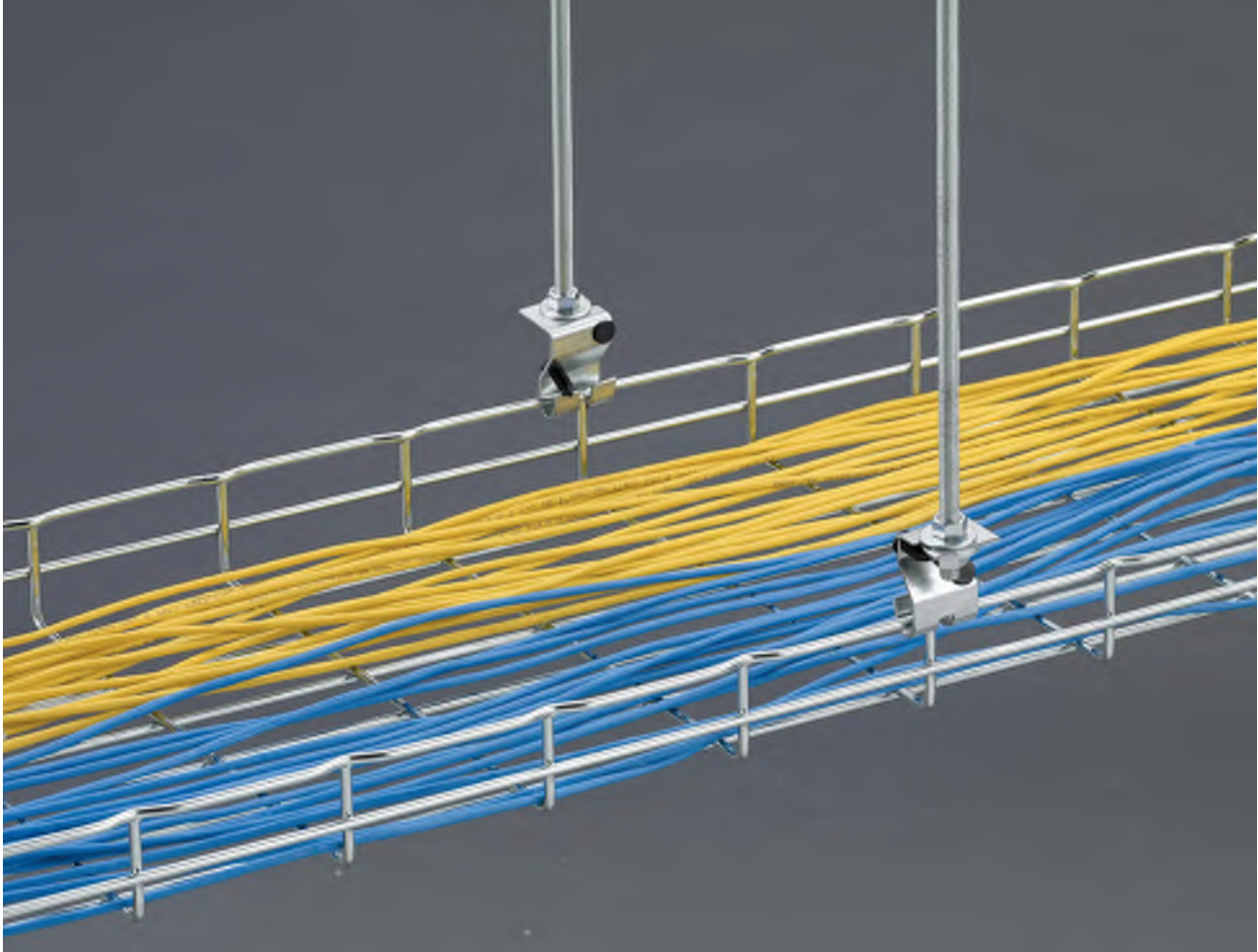
† Sizes not UL Classified

Splice Plate Kits for 2" Deep Flextray

Part Number	System Width		Weight Per 100		Box Quantity	Conveniently poly-bagged for use with 2" Deep Flextray
	in.	(mm)	lbs.	(kg)		
FTS20SK	2"	(50)	2.91	(1.32)	10	
	4"	(100)				
FTS21SK	6"	(150)	3.63	(1.64)	10	
	8"	(200)				
	12"	(300)				
FTS22SK	16"	(300)	4.35	(1.97)	10	
	18"	(450)				
	20"	(500)				
	24"	(600)				
FTS23SK	30"	(750)	5.07	(2.30)	10	
	32"	(800)				

Splice Plate Kits for 4" & 6" Deep Flextray

Part Number	System Width		Weight Per 100		Box Quantity	Conveniently poly-bagged for use with 4" & 6" Deep Flextray
	in.	(mm)	lbs.	(kg)		
FTS21SK	4"	(100)	3.63	(1.64)	10	
	6"	(150)				
	8"	(200)				
	12"	(300)				
FTS22SK	16"	(400)	4.35	(1.97)	10	
	18"	(450)				
	20"	(500)				
	24"	(600)				
FTS23SK	30"	(750)	5.07	(2.30)	10	



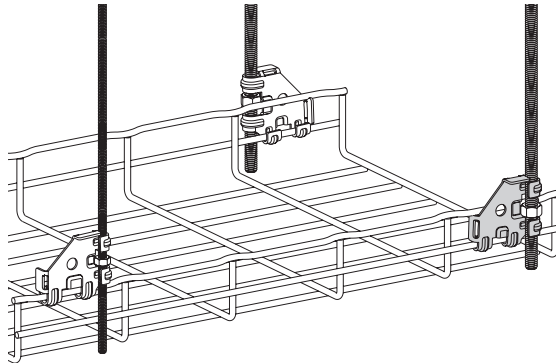
Flextray

## Flip Clip™

- Accommodates 1/4" and 3/8" rod sizes.
- Installs quickly with a screwdriver or pliers thus reducing installation time.
- Requires only one hex nut (not included) to hang and level the Flextray.
- Retainer tabs can be bent over to lock-in the threaded rod and wire basket.
- Finishes \_\_: **ZN** (FB and SS6 available upon request).

Part Number	Description	Qty./Box	Wt./Box lbs. (kg)
WB46H__	Flip Clip™	50	5.2 (2.36)

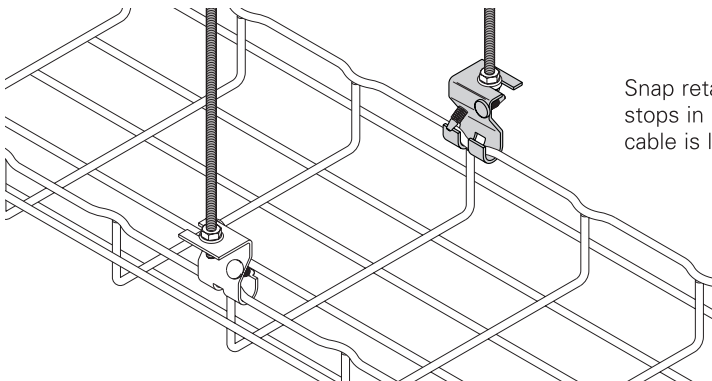
Snap retainer stops in place after cable is loaded.



## Trapeze Support

- Trapeze Clip installs fast.
- For use with trays up to 4" (100mm) deep, 12" (300mm) wide, and spans up to 8'-0" (2.44m).
- Tray can be released from support to allow side cable loading.
- Accepts 1/4" and 3/8" threaded rod sizes.
- Finishes \_\_: **GS** (BLE available upon request).

Part Number	Description	Qty./Box	Wt./Box lbs. (kg)
TRAPEZE SUPT2__	Trapeze Support Clip	50 trapeze clips 100 retainer stops	7.0 (3.17)

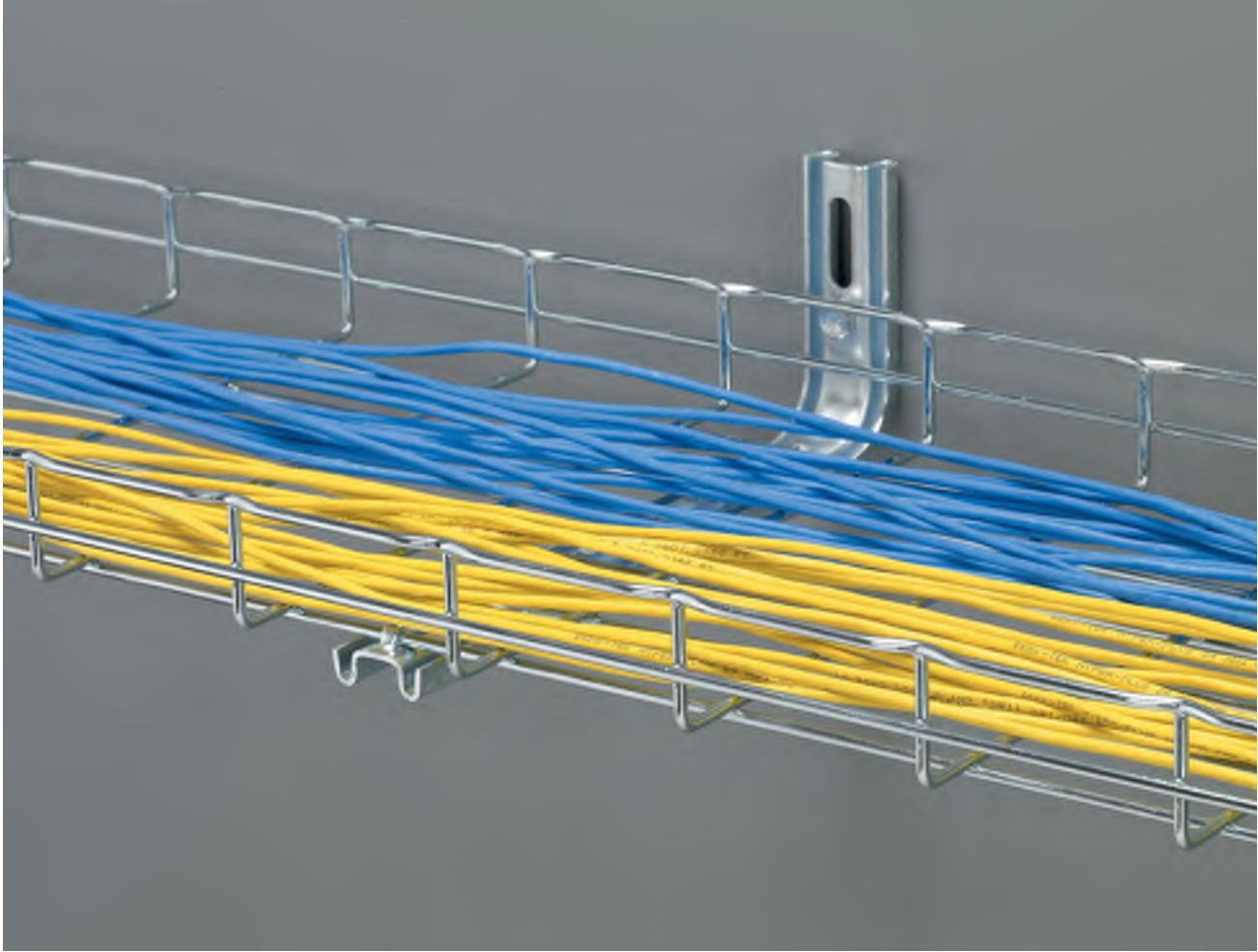


Snap retainer stops in place after cable is loaded.



See page D-3 for finish information

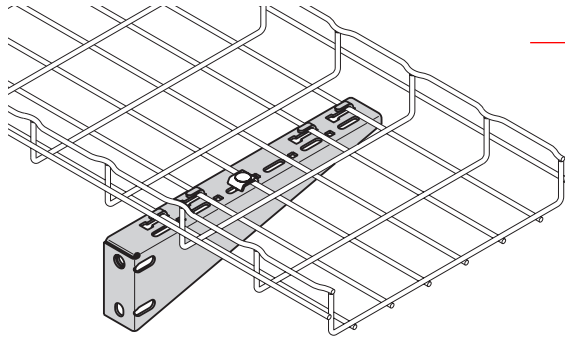
# Flextray wire basket - wall support methods



Flextray

## Shelf Brackets

- Heavy-duty support bracket.
- For use with 6" (150mm) to 24" (600mm) wide trays.
- Built-in tab for hold down.
- Optional hardware (FTSCH) sold separately.
- Finishes \_\_: **GLV** (HDG and SS6 available upon request).



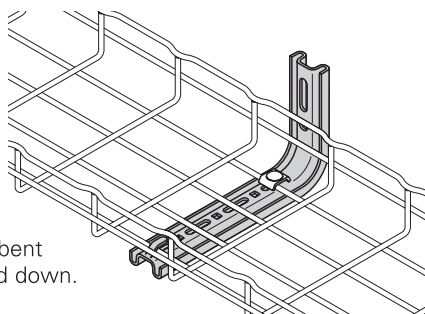
Part Number	Use With Tray Width in. (mm)	Qty./Box	Wt./Pc. lbs. (kg)
FTB06CS__	6" (150)	1	0.5 (0.22)
FTB08CS__	8" (200)	1	0.6 (0.27)
FTB12CS__	12" (300)	1	1.2 (0.54)
FTB16CS__	16" (400)	1	1.7 (0.77)
FTB18CS__	18" (450)	1	1.9 (0.86)
FTB20CS__	20" (500)	1	2.6 (1.18)
FTB24CS__	24" (600)	1	3.2 (1.45)



## L Brackets

- Installs tray to wall cleanly.
- Built-in tab for hold down (not available in stainless steel).
- For use with 4" (100mm) to 24" (600mm) wide trays.
- Use with pedestal clamp in raised floor applications.
- Optional hardware (FTSCH) sold separately.
- Finishes \_\_: **EG** (HD, BLE and 316S available upon request).

Part Number	Use With Tray Width in. (mm)	Qty./Box	Wt./Pc. lbs. (kg)
4 L BRKT__	4" (100)	1	0.6 (0.27)
8 L BRKT__	6" (150) 8" (200)	1	0.8 (0.36)
12 L BRKT__	12" (300)	1	1.3 (0.59)
16 L BRKT__	16" (400)	1	1.4 (0.63)
20 L BRKT__	18" (450) 20" (500)	1	2.0 (0.91)
24 L BRKT__	24" (600)	1	2.3 (1.04)



Tab can be bent over for hold down.



12 L BRKT

See page D-3 for finish information

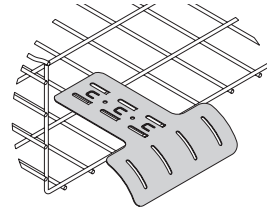
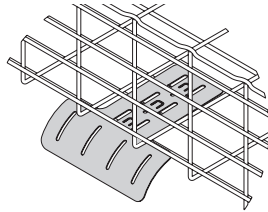


Flextray

## Drop out fitting

Part Number	Description	Qty./Box	Wt./Box lbs. (kg)
DROP OUT__	Drop Out Fitting	50	15.0 (6.8)

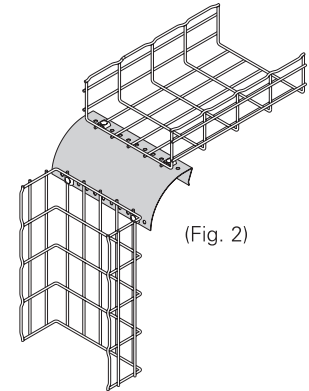
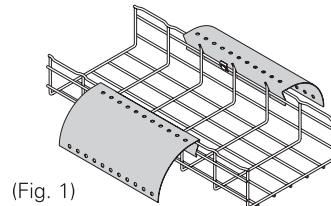
- Keeps cable radius secure at drop point
- Retention tabs to secure positioning
- For use with 4" (100mm) to 32" (800mm) wide trays
- Attaches to tray without hardware
- Drop outs can be attached at bottom, side or ends of tray
- Retention tabs on bottom of drop out to secure positioning
- Finishes \_\_: **EG** (BLE and SS6 also available upon request)



## Side drop out fitting

Part Number	Width in. (mm)	Qty./Box	Wt./Box lbs. (kg)
FTA6SDO	6.0 (152.4)	10	7.17 (3.2)
FTA8SDO	8.0 (203.2)	10	9.57 (4.3)
FTA12SDO	12.0 (304.8)	10	14.35 (6.5)

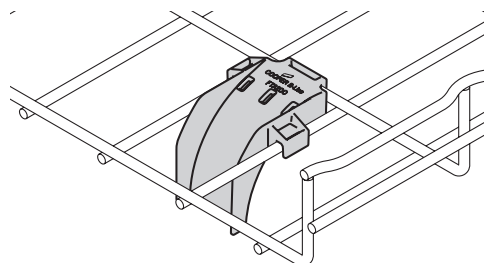
- Keeps cable radius secure at drop point
- For use with 4" (100mm) to 32" (800mm) wide trays (Fig. 1)
- For use with 6" (152mm) to 12" (300mm) wide trays (Fig. 2)
- Drop outs can be attached at side or ends of tray as shown
- Finishes \_\_: **EG** (BLE and SS6 also available upon request)



## Cable drop out

Part Number	Description	Qty./Box	Wt./Box lbs. (kg)
FTA2DO	Cable Drop Out	10	0.17 (0.08)

- Non-metallic 2" (50mm) radius Cable Drop-Out snap locks into mesh bottom and protects cables from sharp bend
- Material: Black Plenum-rated Plastic



See page D-3 for finish information

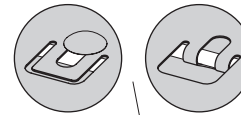
## Solid bottom inserts

Part Number	For Tray Width Of		Qty./Box	Wt./Box	
	in.	mm		lbs.	kg
INSERT 4X118__	4"	(100)	1	6.8	(3.08)
INSERT 6X118__	6"	(150)	1	9.8	(4.44)
INSERT 8X118__	8"	(200)	1	13.3	(6.03)
INSERT 12X118__	12"	(300)	1	21.6	(9.80)
INSERT 16X118__	16"	(400)	1	26.4	(11.97)
INSERT 18X118__	18"	(450)	1	32.4	(14.69)
INSERT 20X118__	20"	(500)	1	32.9	(14.92)
INSERT 24X118__	24"	(600)	1	39.3	(17.82)

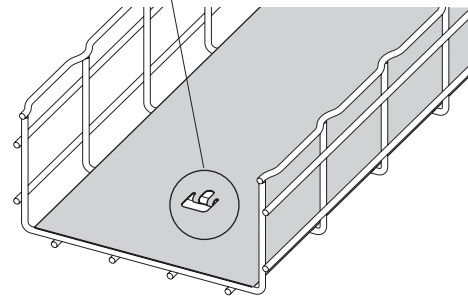


Attach with  
FTHDWE 1/4  
& Top Washer

- Continuous support for sensitive cables
- Security of cable in high-traffic areas
- Hardware included
- Available for 4" (100mm) to 24" (600mm) wide trays
- Comes in 118" (2997mm) length
- Finishes \_\_: **GS** (BLE, 304S and 316S also available upon request)



Attachment  
methods

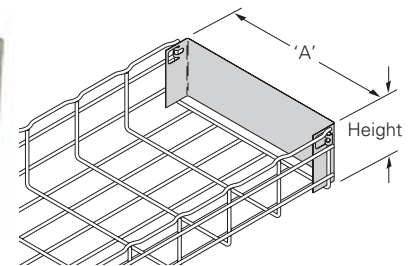


## Blind ends

Part Number	'A' in. (mm)	Height in. (mm)	Box Quantity
FT BE 2X2	2" (50)	2" (50)	1
FT BE (*)X4	4" (100)	(*) (*)	1
FT BE (*)X6	6" (150)	(*) (*)	1
FT BE (**)X8	8" (200)	(*) (*)	1
FT BE (**)X12	12" (300)	(**) (**)	1
FT BE (**)X16	16" (400)	(**) (**)	1
FT BE (**)X18	18" (450)	(**) (**)	1
FT BE (**)X20	20" (500)	(**) (**)	1
FT BE (**)X24	24" (600)	(**) (**)	1

- Tab features eliminate need for hardware
- Forms a closure for a dead-end Flextray
- Hardware included
- Finish: **GLV** (SS6 also available upon request)

(\*) Insert: 2 = 2" (50 mm), **4 = 4"** (100 mm) for height  
 (\*\*) Insert: 2 = 2" (50mm), **4 = 4"** (100mm),  
**6 = 6"** (150mm) for height

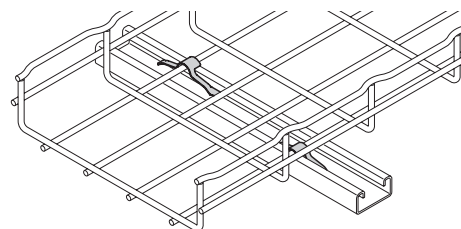


## Strut mounting clip

Part Number	Description	Qty./Box	Wt./Box lbs. (kg)
BW4	Strut Mounting Clip	100	0.9 (0.41)



- Use to secure FLEXTRAY to horizontal strut support
- Designed for use as shown in drawing (no load rating)
- Finish: Black Zinc Phosphate



See page D-3 for finish information