

TOP OF WALL JOINT : GYPSUM WALL ASSEMBLY

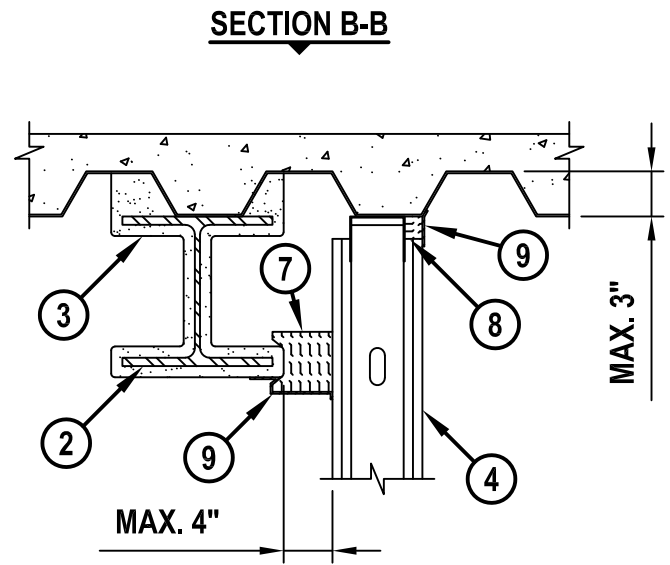
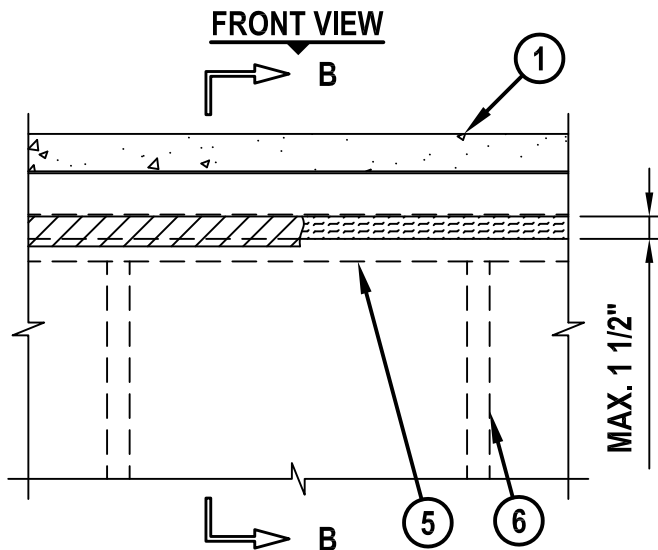
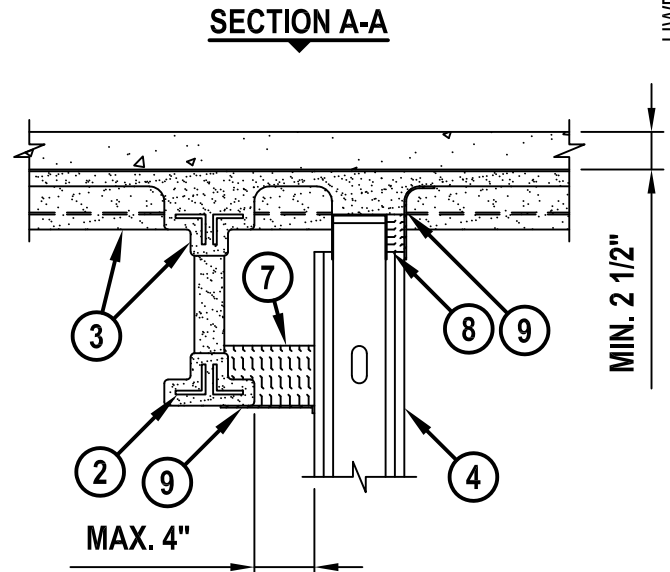
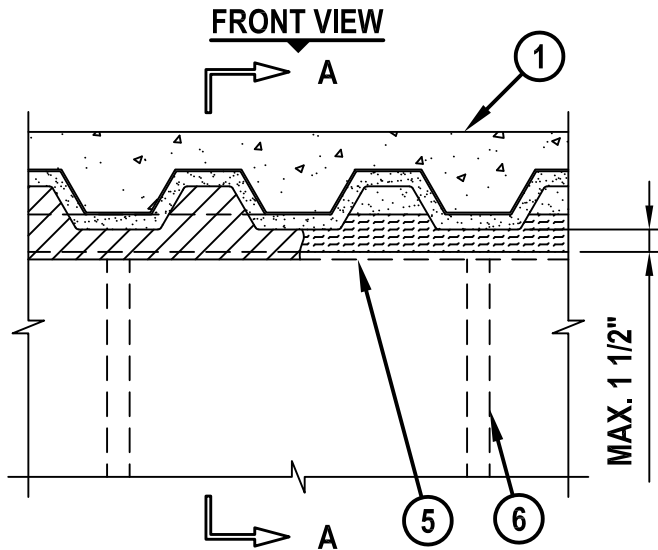
ASSEMBLY RATING = 1-HR. OR 2-HR.

CLASS II MOVEMENT CAPABILITIES - 50% COMPRESSION OR EXTENSION

L-RATING AT AMBIENT = LESS THAN 1 CFM / LIN FT

L-RATING AT 400°F = LESS THAN 1 CFM / LIN FT

HWD0388j.091718



1. FLOOR OR ROOF ASSEMBLY (1-HR. OR 2-HR. FIRE-RATING) :

- A. LIGHTWEIGHT OR NORMAL WEIGHT CONCRETE FLOOR (MINIMUM 2-1/2" THICK) OVER METAL DECK (UL/cUL CLASSIFIED D700 OR D900 SERIES).
- B. [NOT SHOWN] FLUTED STEEL ROOF DECK WITH SPRAY-APPLIED FIREPROOFING (UL/cUL CLASSIFIED P700 OR P900 SERIES).



HILTI, Inc.
Plano, Texas USA (800) 879-8000

Sheet	1 of 2
Scale	5/64" = 1"
Date	Sep. 17, 2018

Drawing No.
**HWD
0388j**

TOP OF WALL JOINT : GYPSUM WALL ASSEMBLY

ASSEMBLY RATING = 1-HR. OR 2-HR.

CLASS II MOVEMENT CAPABILITIES - 50% COMPRESSION OR EXTENSION

L-RATING AT AMBIENT = LESS THAN 1 CFM / LIN FT

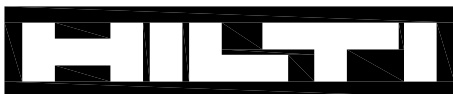
L-RATING AT 400°F = LESS THAN 1 CFM / LIN FT

HWD0388j.091718

2. STRUCTURAL STEEL BEAM OR OPEN-WEB STEEL JOIST AS SPECIFIED IN THE INDIVIDUAL D700, D900, OR P700 SERIES FLOOR/ROOF-CEILING DESIGN. STEEL SUPPORT ORIENTED PARALLEL AND LOCATED 1" TO 6" FROM WALL.
3. UL/cUL CLASSIFIED MONOKOTE (TYPE MK-H/HY, MK-6/HY ES, MK-6S, OR RG) OR TYPE 300 FIREPROOFING SPRAYED TO THE THICKNESS SPECIFIED IN THE INDIVIDUAL D700, D900, OR P700 SERIES DESIGN (SEE NOTE NO. 2 BELOW) AFTER INSTALLATION OF CEILING RUNNER. FIREPROOFING TO COMPLETELY FILL FLUTES ABOVE THE STRUCTURAL STEEL SUPPORT AND ABOVE THE CEILING RUNNER (SEE NOTE NO. 3 BELOW).
4. GYPSUM WALL ASSEMBLY (UL/cUL CLASSIFIED U400, V400, OR W400 SERIES) (1-HR. OR 2-HR. FIRE-RATING) (SEE NOTE NO. 5 BELOW).
5. CEILING RUNNER (MINIMUM 25 GA., WITH 2" TO 3" FLANGES) FASTENED TO UNDERSIDE OF DECK WITH STEEL FASTENERS OR WELDS (SPACED MAX. 24" O.C.) (SEE NOTE NO. 4 BELOW).
6. STEEL STUDS (MINIMUM 3-1/2" WIDE), CUT 1/2" TO 3/4" LESS IN LENGTH THAN ASSEMBLY HEIGHT, NESTING IN CEILING RUNNER WITHOUT ATTACHMENT.
7. MINIMUM 4" THICKNESS MINERAL WOOL SAFING (MIN. 4 PCF DENSITY) COMPRESSED 33% AND INSTALLED FLUSH WITH OR EXTENDING A MAX. 1-1/2" BELOW BOTTOM SURFACE OF FIREPROOFING ON STRUCTURAL STEEL MEMBER.
8. MINIMUM 5/8" OR 1-1/4" THICKNESS MINERAL WOOL SAFING (MIN. 4 PCF DENSITY) COMPRESSED 50% AND INSERTED INTO JOINT FLUSH WITH SURFACE OF WALL.
9. MINIMUM 1/8" (WET) THICKNESS HILTI CFS-SP WB FIRESTOP JOINT SPRAY TO COMPLETELY COVER MINERAL WOOL / FIREPROOFING AND TO OVERLAP A MINIMUM 1/2" ONTO GYPSUM AND MINIMUM 2" ONTO FIREPROOFING.

NOTES : 1. MAXIMUM WIDTH OF JOINT = 1-1/2".

2. WHEN STRUCTURAL STEEL SUPPORT CONSISTS OF OPEN-WEB STEEL JOISTS, 3/8" DIAMOND MESH EXPANDED STEEL LATH (1.7 TO 3.4 LB./SQ. YD.) SHALL BE INSTALLED TO COMPLETELY COVER ONE SIDE OF EACH JOIST. LATH SHALL BE SECURED WITH STEEL TIE WIRE AND COMPLETELY FILLED WITH FIREPROOFING.
3. AS AN ALTERNATE, FIREPROOFING IN THE FLUTES ABOVE THE CEILING RUNNER MAY BE APPLIED TO FOLLOW THE CONTOUR OF THE STEEL DECK. IN THIS CASE, MINERAL WOOL SAFING (MIN. 4 PCF DENSITY) TIGHTLY PACKED OR HILTI CP 777 SPEED PLUGS SHOULD BE INSTALLED TO COMPLETELY FILL VOID ABOVE CEILING RUNNER FLUSH WITH WALL OPPOSITE OF STEEL SUPPORT.
4. AS AN ALTERNATE TO CEILING RUNNER IN ITEM NO. 5, SLOTTED CEILING RUNNERS MAY BE USED. CONSULT THE UL FIRE RESISTANCE DIRECTORY FOR APPROVED MANUFACTURERS.
5. WHERE TOP OF WALL ASSEMBLY IS INACCESSIBLE ABOVE THE STRUCTURAL STEEL SUPPORT, THE GYPSUM BOARD ATTACHMENT SCREWS MAY BE OMITTED.



Hilti Firestop Systems

HILTI, Inc.
Plano, Texas USA (800) 879-8000

Sheet	2 of 2
Scale	-
Date	Sep. 17, 2018

Drawing No.

**HWD
0388j**