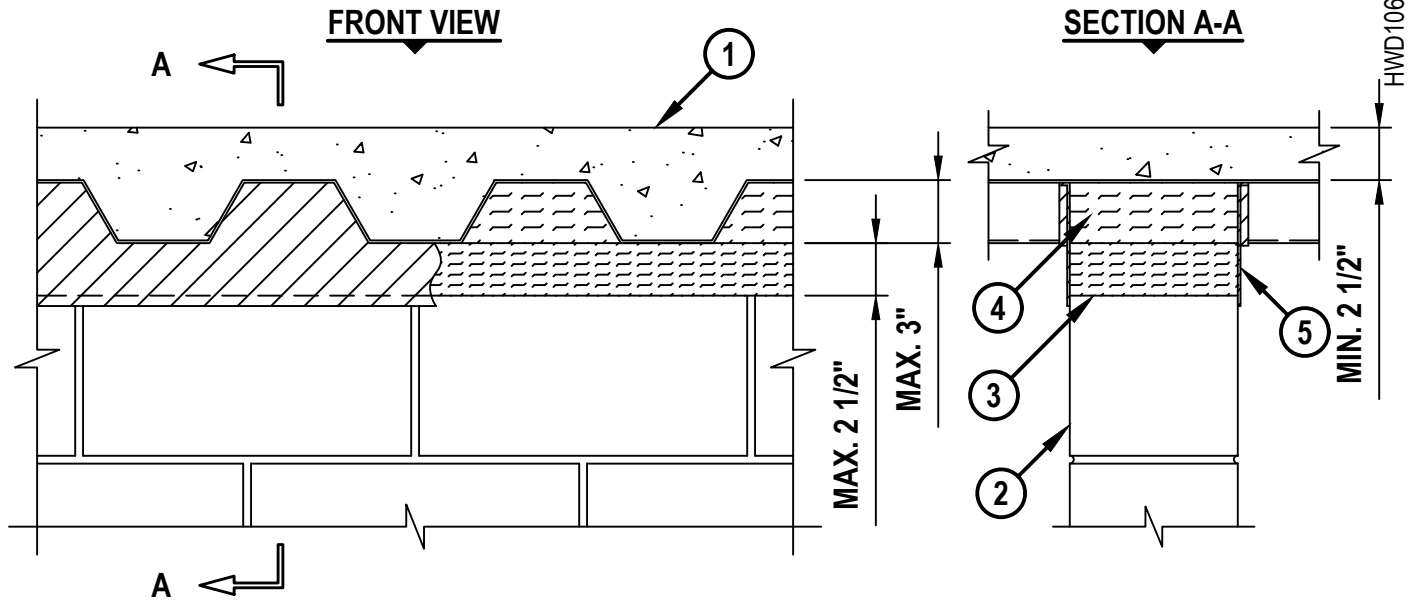


**TOP OF WALL JOINT : CONCRETE WALL OR BLOCK WALL ASSEMBLY**

ASSEMBLY RATING = 2-HR.

CLASS II MOVEMENT CAPABILITIES - 40% OR 50% COMPRESSION OR EXTENSION  
(SEE NOTES NO. 2 AND 3 BELOW)



HWD1069c.011617

1. FLOOR OR ROOF ASSEMBLY (2-HR. FIRE-RATING) :
  - A. LIGHTWEIGHT OR NORMAL WEIGHT CONCRETE FLOOR (MIN. 2-1/2" THICK) OVER METAL DECKING (UL/cUL CLASSIFIED D900 SERIES).
  - B. INSULATING CONCRETE (MIN. 2-1/4" THICK) OVER METAL DECKING (UL/cUL CLASSIFIED P900 SERIES).
2. CONCRETE WALL ASSEMBLY CONSTRUCTED PERPENDICULAR OR PARALLEL TO FLUTES (PERPENDICULAR SHOWN) (2-HR. FIRE-RATING) :
  - A. LIGHTWEIGHT OR NORMAL WEIGHT CONCRETE WALL (MINIMUM 6" THICK).
  - B. ANY UL/cUL CLASSIFIED CONCRETE BLOCK WALL.
3. MINERAL WOOL SAFING (MIN. 4 PCF DENSITY) COMPRESSED 50% AND INSERTED INTO JOINT, FLUSH WITH BOTH SIDES OF WALL ASSEMBLY.
4. HILTI CP 777 SPEED PLUGS FRICTION FITTED TO COMPLETELY FILL FLUTE, FLUSH WITH BOTH SIDES OF WALL (WHEN PERPENDICULAR TO FLUTES) (SEE NOTE NO. 1 BELOW).
5. MINIMUM 1/8" (WET) THICKNESS HILTI CFS-SP WB FIRESTOP JOINT SPRAY TO COMPLETELY COVER MINERAL WOOL AND TO OVERLAP MINIMUM 1/2" ONTO CONCRETE WALL OR CONCRETE BLOCK WALL AND METAL DECK ON BOTH SIDES OF WALL ASSEMBLY.

NOTES : 1. AS AN ALTERNATE TO HILTI CP 777 SPEED PLUGS, MINERAL WOOL SAFING (MIN. 4 PCF DENSITY) COMPRESSED 50% MAY BE USED.  
 2. TO ACCOMMODATE MAX. 40% COMPRESSION OR EXTENSION MAX. WIDTH OF JOINT = 2-1/2".  
 3. TO ACCOMMODATE MAX. 50% COMPRESSION OR EXTENSION MAX. WIDTH OF JOINT = 1-1/2".



HILTI, Inc.  
Plano, Texas USA (800) 879-8000

|       |               |
|-------|---------------|
| Sheet | 1 of 1        |
| Scale | 1/8" = 1"     |
| Date  | Jan. 16, 2017 |

Drawing No.  
**HWD  
1069c**