

UL/cUL SYSTEM NO. W-J-3060

CABLE BUNDLE THROUGH CONCRETE WALL OR BLOCK WALL ASSEMBLY

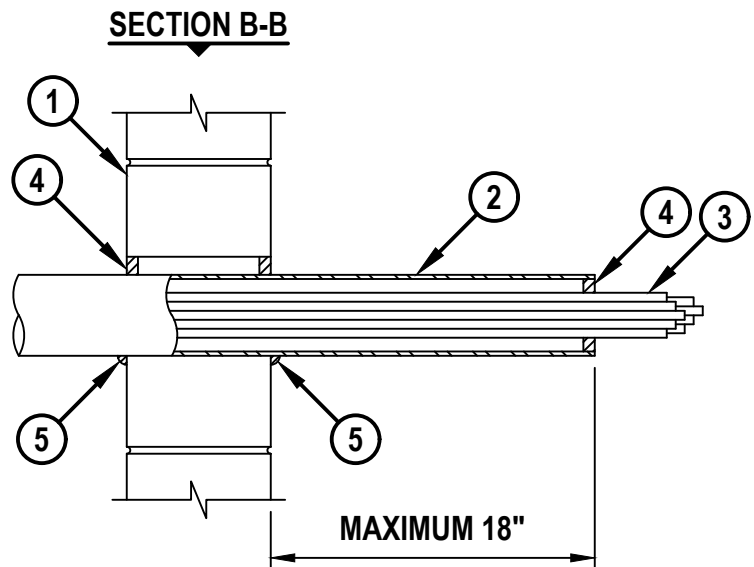
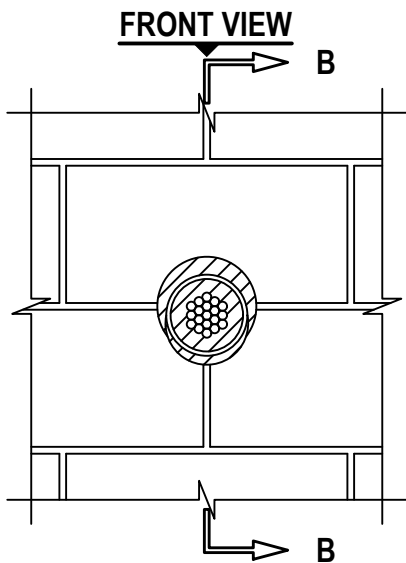
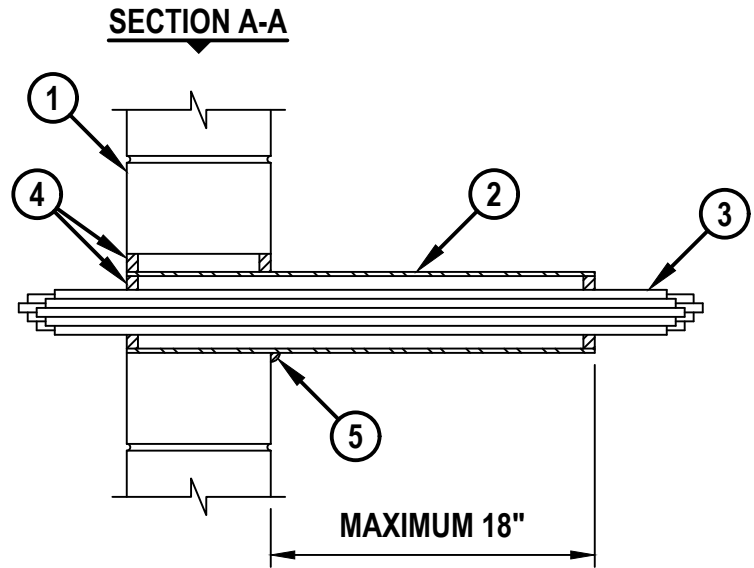
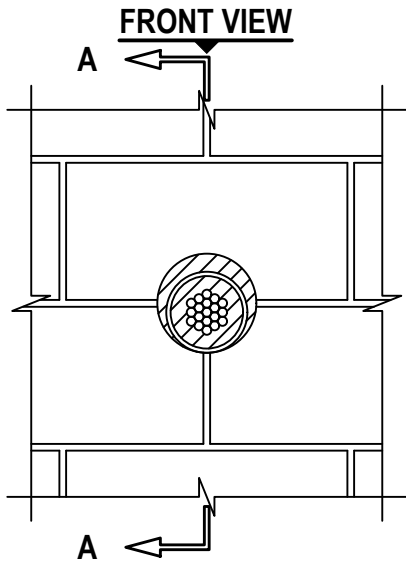
F-RATING = 1-HR. OR 2-HR.

T-RATING = 0-HR.

L-RATING AT AMBIENT = 15 CFM / SQ FT

L-RATING AT 400° F = 8 CFM / SQ FT

WJ3060p.090622



HILTI, Inc.
Plano, Texas USA (800) 879-8000

Sheet	1 of 3
Scale	3/32" = 1"
Date	Sep. 06, 2022

Drawing No.
WJ
3060p

Saving Lives through Innovation and Education

UL/cUL SYSTEM NO. W-J-3060

CABLE BUNDLE THROUGH CONCRETE WALL OR BLOCK WALL ASSEMBLY

F-RATING = 1-HR. OR 2-HR.

T-RATING = 0-HR.

L-RATING AT AMBIENT = 15 CFM / SQ FT

L-RATING AT 400° F = 8 CFM / SQ FT

WJ3060p.090622

1. CONCRETE WALL ASSEMBLY (1-HR. OR 2-HR. FIRE-RATING) :
 - A. LIGHTWEIGHT OR NORMAL WEIGHT CONCRETE WALL (MIN. 4-3/4" THICK, FOR A 1-HR. FIRE-RATING).
 - B. LIGHTWEIGHT OR NORMAL WEIGHT CONCRETE WALL (MIN. 6" THICK, FOR A 2-HR. FIRE-RATING).
 - C. ANY UL/cUL CLASSIFIED CONCRETE BLOCK WALL ASSEMBLY.
2. [OPTIONAL] MAXIMUM 4" NOMINAL DIAMETER EMT, STEEL PIPE (SCHEDULE 5 OR HEAVIER) OR 28 GA. GALVANIZED STEEL SLEEVE, FRICTION FIT OR CAST INTO WALL FLUSH WITH WALL SURFACES (SEE NOTE NO. 5 BELOW).
3. CABLE BUNDLE TO CONSIST OF ANY COMBINATION OF THE FOLLOWING :
 - A. MAXIMUM 7/C NO. 12 AWG POWER CABLE WITH PVC INSULATION AND OUTER JACKET.
 - B. MAXIMUM 25 PAIR NO. 24 AWG TELEPHONE CABLE WITH PVC INSULATION AND OUTER JACKET.
 - C. MAXIMUM RG 59 (OR SMALLER) COAXIAL CABLE WITH POLYETHYLENE INSULATION AND PVC JACKET.
 - D. MAXIMUM RG 6/U COAXIAL CABLE WITH FLUORINATED ETHYLENE INSULATION AND JACKETING.
 - E. MULTIPLE 24 FIBER OPTIC COMMUNICATION CABLE WITH PVC JACKET, HAVE A MAX OUTSIDE DIAM OF 5/8" (16 mm).
 - F. MAXIMUM FOUR PAIR NO. 22 AWG CAT 5 OR CAT 6 COMPUTER CABLES.
 - G. THROUGH PENETRATING PRODUCT - MAX THREE COPPER CONNECTOR NO. 8 AWG METAL-CLAD CABLE (AFC CABLE SYSTEMS INC.).
 - H. ANY CABLES, METAL-CLAD OR ARMORED CABLE, CURRENTLY CLASSIFIED CLASSIFIED UNDER THE THROUGH PENETRANTS PRODUCTS CATEGORY.
4. MINIMUM 5/8" DEPTH HILTI FS-ONE MAX INTUMESCENT FIRESTOP SEALANT, HILTI CP 606 FLEXIBLE FIRESTOP SEALANT, HILTI CFS-S SIL GG FIRESTOP SILICONE SEALANT, OR HILTI CP 618 FIRESTOP PUTTY STICK.
5. MINIMUM 1/2" BEAD HILTI FS-ONE MAX INTUMESCENT FIRESTOP SEALANT, HILTI CP 606 FLEXIBLE FIRESTOP SEALANT, HILTI CFS-S SIL GG FIRESTOP SILICONE SEALANT, OR HILTI CP 618 FIRESTOP PUTTY STICK APPLIED AT WALL/SLEEVE INTERFACE WHEN STEEL SLEEVE EXTENDS BEYOND ONE OR BOTH SIDES OF WALL.



Hilti Firestop Systems

HILTI, Inc.
Plano, Texas USA (800) 879-8000

Sheet 2 of 3

Scale -

Date Sep. 06, 2022

Drawing No.

**WJ
3060p**

Saving Lives through Innovation and Education

UL/cUL SYSTEM NO. W-J-3060

CABLE BUNDLE THROUGH CONCRETE WALL OR BLOCK WALL ASSEMBLY

F-RATING = 1-HR. OR 2-HR.

T-RATING = 0-HR.

L-RATING AT AMBIENT = 15 CFM / SQ FT

L-RATING AT 400° F = 8 CFM / SQ FT

WJ3060p.090622

- NOTES :**
1. MAXIMUM DIAMETER OF OPENING WITH SLEEVE = 5-1/2".
 2. MAXIMUM DIAMETER OF OPENING WITHOUT SLEEVE = 4".
 3. ANNULAR SPACE = MINIMUM 0", MAXIMUM 1".
 4. CABLES TO FILL MAXIMUM 45% OF CROSS-SECTIONAL AREA OF OPENING.
 5. WHEN SCHEDULE 5 STEEL PIPE OR EMT IS USED, SLEEVE MAY EXTEND UP TO 18" BEYOND WALL SURFACES. AS AN OPTION, SLEEVE MAY BE CONTINUOUS ON ONE SIDE OF WALL ASSEMBLY.
 6. WHEN SLEEVE IS CONTINUOUS ON ONE SIDE OF WALL, THE CABLE FILL MAY BE 0% TO 45% AND THE MAXIMUM ANNULAR SPACE IS NOT LIMITED.
 7. [OPTIONAL - NOT SHOWN] MINERAL WOOL (MIN. 4 PCF DENSITY) TIGHTLY PACKED AND RECESSED TO ACCOMMODATE FIRESTOP SEALANT OR PUTTY MAY BE USED AS BACKING MATERIAL.



Hilti Firestop Systems

HILTI, Inc.
Plano, Texas USA (800) 879-8000

Sheet 3 of 3

Scale -

Date Sep. 06, 2022

Drawing No.

**WJ
3060p**

Saving Lives through Innovation and Education