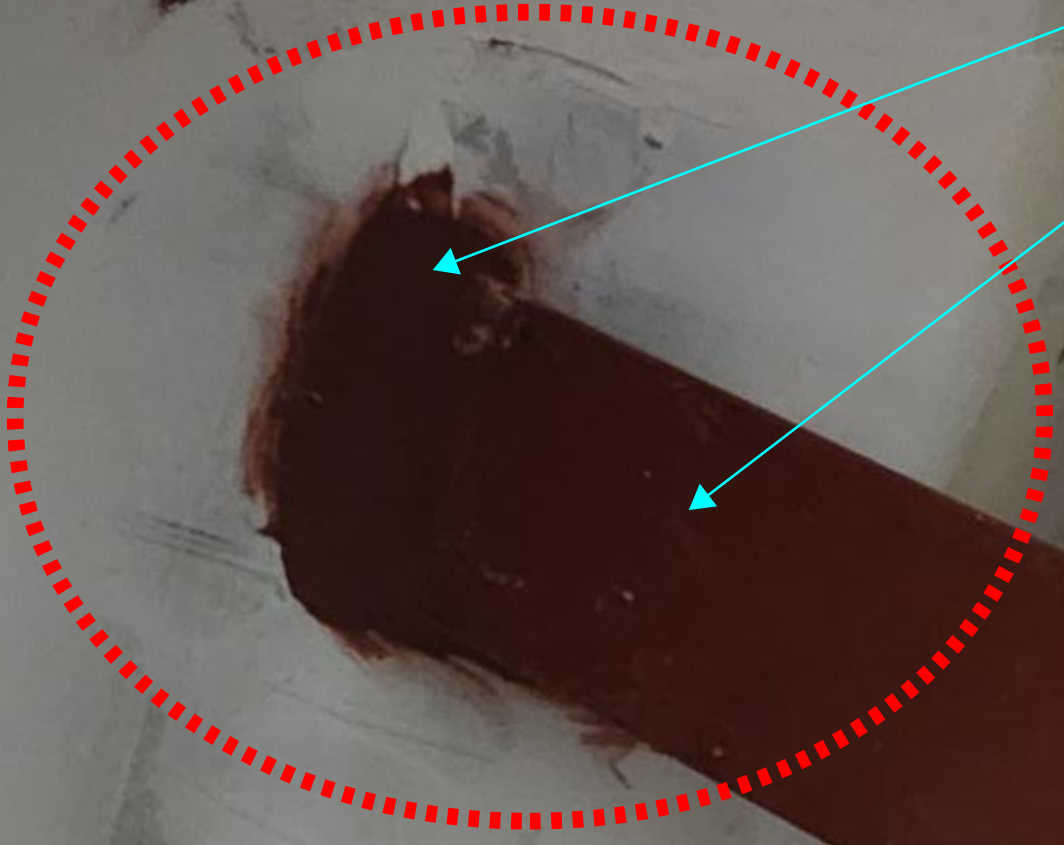
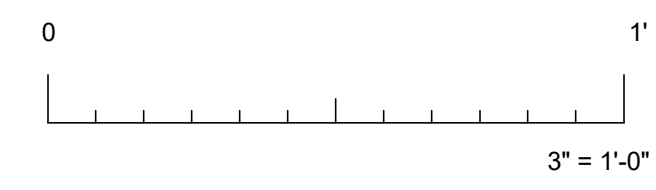
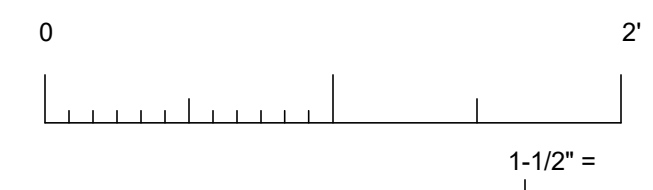
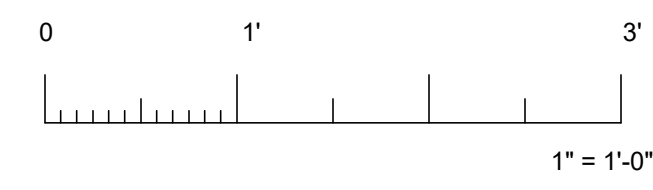
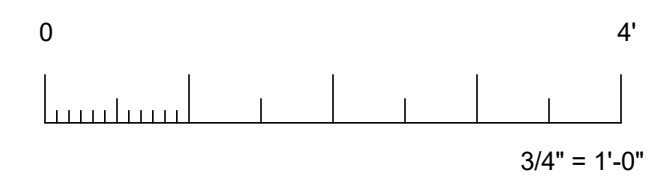
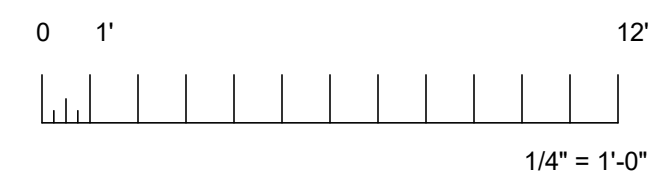
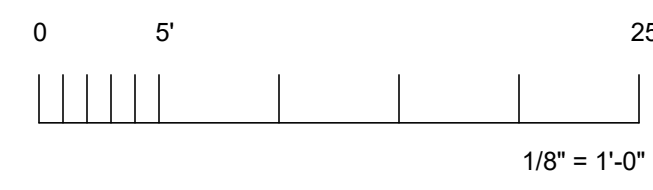
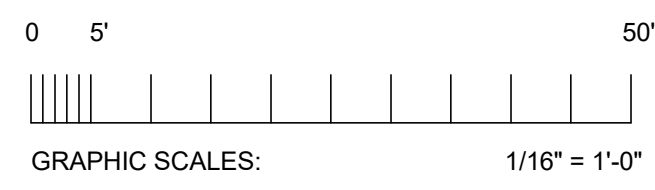


FLOOR ASSEMBLY

PENETRATION
1HR GYP

DIAGONAL BRACE





IF THIS SHEET IS NOT 30"x42", IT IS A REDUCED PRINT - SCALE



KAISER PERMANENTE
National Facility Services
Post Office Box 2916
Oakland, California 94604

Issued Drawing & History log

No.	Issued	By	Date	Appr.
90% CD	Constructability Review	ARC	04-14-2023	
100% CD		ARC	05-10-2023	
A	BACK CHECK #1	ARC	07-20-2023	



SwainArchitects Project # K02K22B

Building Permit #

City of Los Angeles, Department of Building & Safety
APPROVED PLANS

This set of plans are not approval for construction until the required permit fees are paid and the permit is issued.
No inspection can be scheduled until the permit fees have been paid.

By: **SERGIO GUTIERREZ** Date: **10/26/2023**

Application No./Permit No.: **23016-10000-15629**

- This set of plans MUST be at the job site during construction.
- It is unlawful to alter, change, or deviate from these plans.
- The signatory of this plan SHALL NOT constitute approval or violation of any provisions of any Ordinance or Law.
- SPiRE permits are required for BUILDING, ELECTRICAL, PLUMBING, FIRE SPRINKLERS, ELEVATOR, HVAC, unless the permit was issued as a combination permit for a One or Two Family Dwelling pursuant to LAC Section 91.0107.2.2 and the work by that trade does not require Plan Check. This approval is only for the items indicated on the permit work description. Other items shown on the plans are NOT included in this approval.

Design Professional:

Facility Name
NORMANDIE NORTH
25965 NORMANDIE AVE
HARBOR CITY, CA 90710

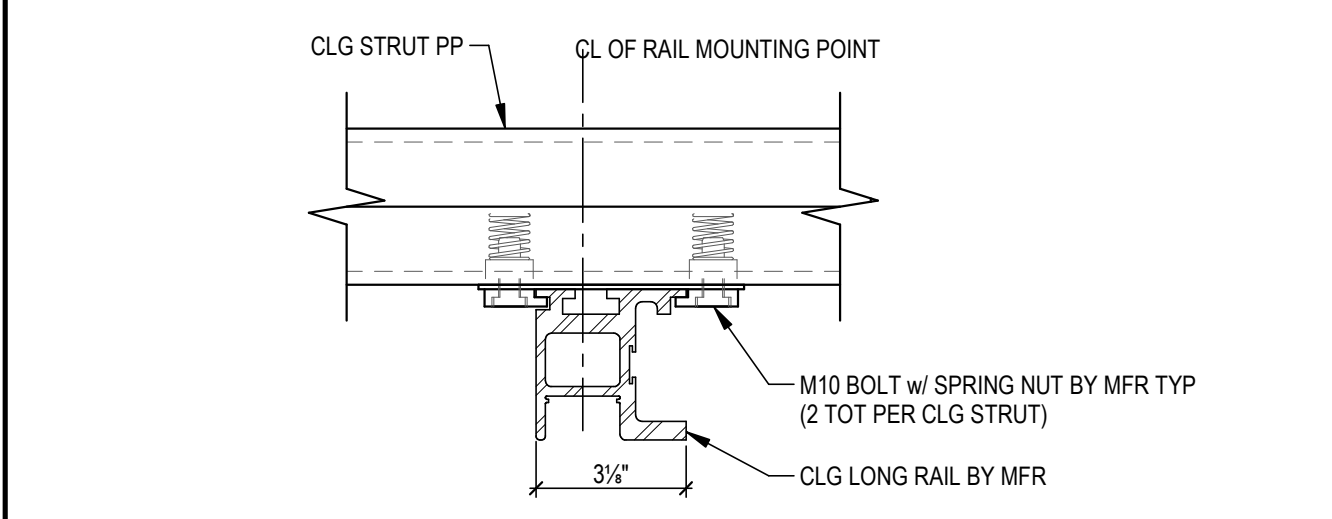
Project Name
CAP028057
SBSA NN GEN RAD REMODEL

Sheet Title
SECTIONS & DETAILS

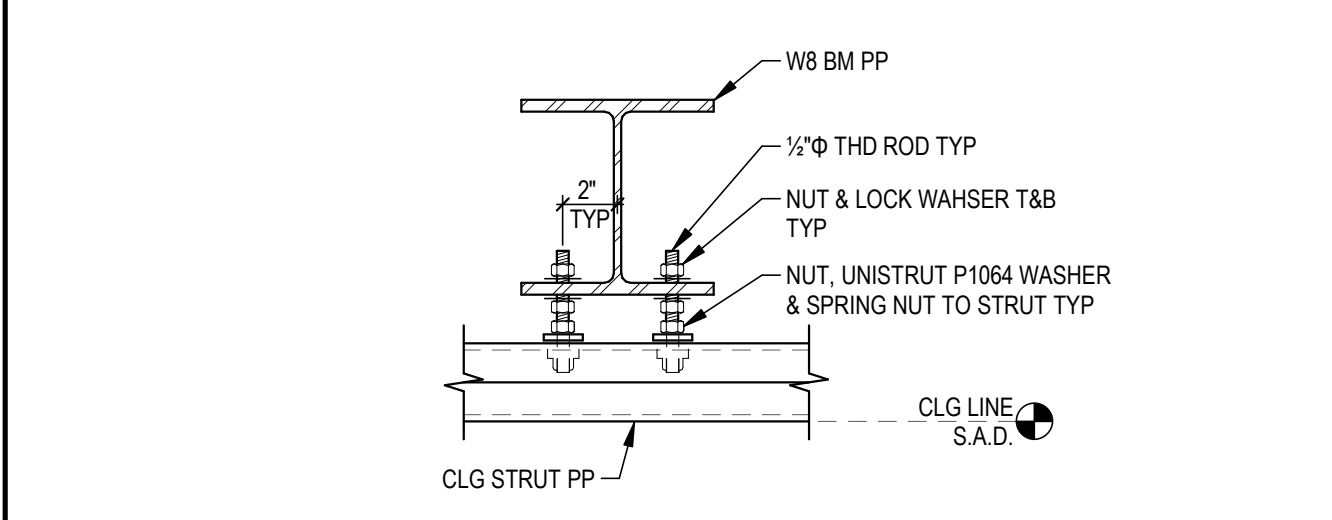
Fac No:	Bldg No:	Floor Lev:	Section:
Drawing Scale	AS NOTED	KP Project #	CAP028057
Drawn By	KAG	Permit #	
Checked By	JCW	Sheet #	

S3-01

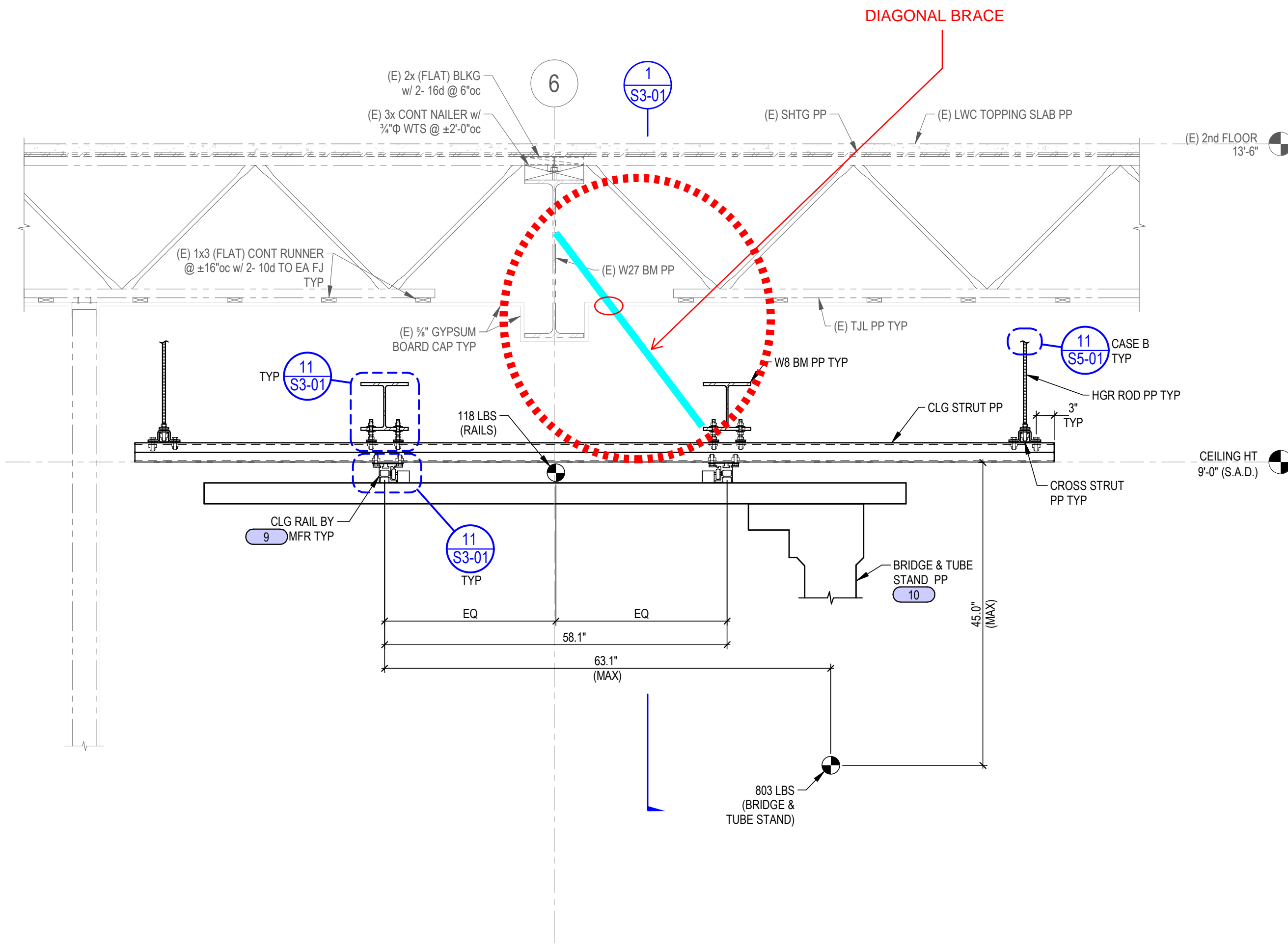
Build it the best you can.



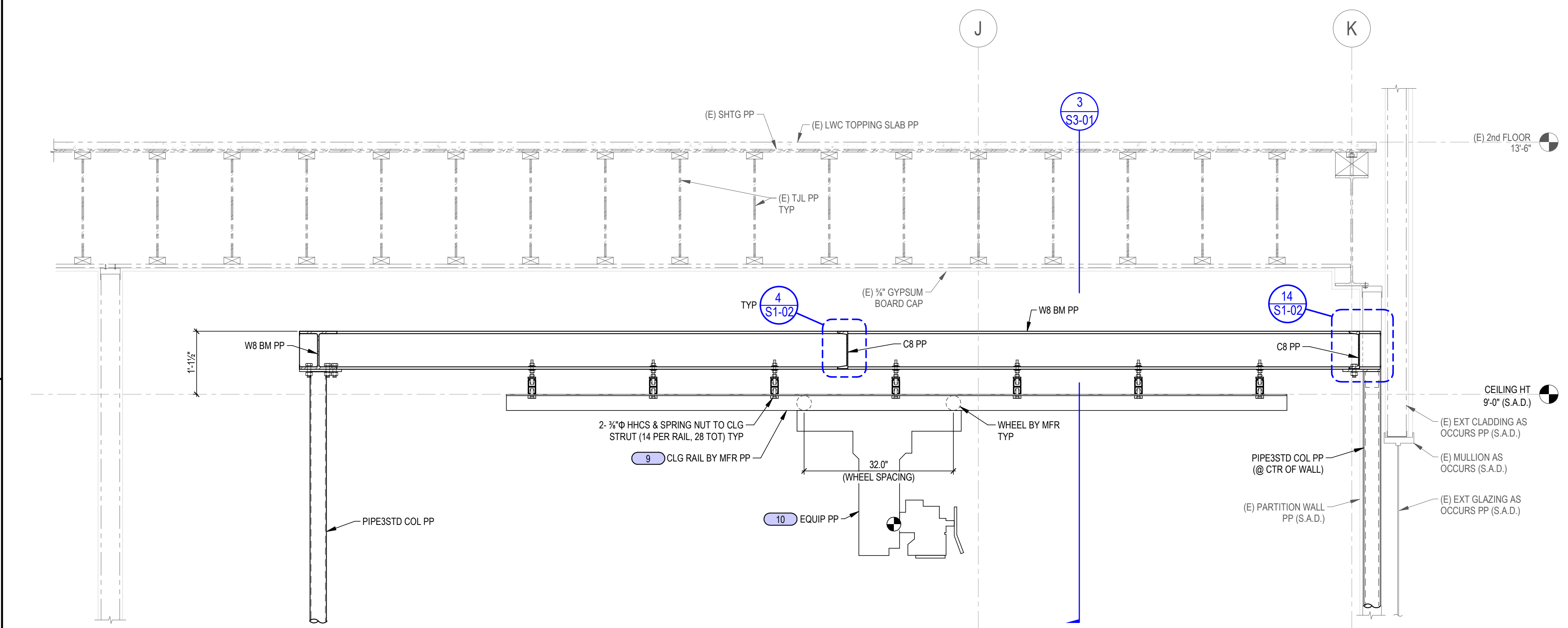
TYPICAL EQUIPMENT RAIL CONNECTION @ CLG STRUT SCALE: NONE 12



TYPICAL CEILING STRUT CONNECTION SCALE: NONE 11



TRANSVERSE SECTION OF FRAMING & X-RAY TUBE SCALE: NONE 3



LONGITUDINAL SECTION OF FRAMING & X-RAY TUBE SCALE: NONE 1