

BLANK OPENING THROUGH CONCRETE FLOOR/WALL OR BLOCK WALL ASSEMBLY

F-RATING = 2-HR.

T-RATING = 1/2-HR.

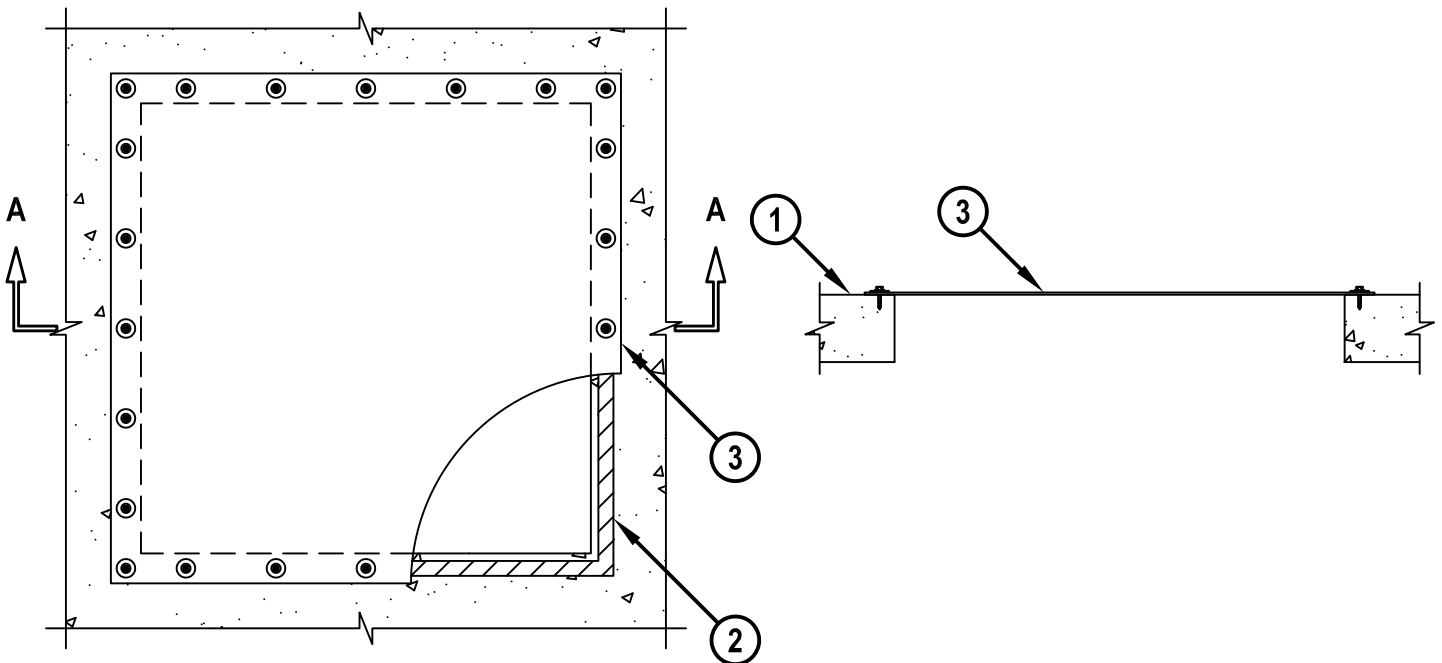
L-RATING AT AMBIENT = LESS THAN 1 CFM / SQ FT

L-RATING AT 400°F = LESS THAN 1 CFM / SQ FT

CAJ0157b.102116

TOP VIEW

SECTION A-A



1. CONCRETE FLOOR OR WALL ASSEMBLY (2-HR. FIRE-RATING) :
 - A. LIGHTWEIGHT OR NORMAL WEIGHT CONCRETE FLOOR OR WALL (MINIMUM 4-1/2" THICK).
 - B. ANY UL/cUL CLASSIFIED CONCRETE BLOCK WALL.
2. ONE LAYER HILTI CP 619T FIRESTOP PUTTY ROLL OR MINIMUM 1/2" BEAD HILTI FS-ONE MAX INTUMESCENT FIRESTOP SEALANT APPLIED UNDER COMPOSITE SHEET AROUND PERIMETER OF OPENING.
3. HILTI CFS-COS FIRESTOP COMPOSITE SHEET CUT TO OVERLAP FLOOR OR WALL A MINIMUM OF 2". COMPOSITE SHEET INSTALLED WITH THE ALUMINUM FOIL FACING AGAINST THE FLOOR OR WALL AND SECURED WITH MINIMUM 3/16" DIAMETER BY 1-1/4" LONG STEEL ANCHOR SCREWS WITH 1-1/4" DIAMETER STEEL FENDER WASHERS AT MAXIMUM 2" FROM ENDS AND MAXIMUM 6" C/C.

NOTES : 1. MAXIMUM SIZE OF OPENING = 30" x 30".
 2. HILTI CFS-COS FIRESTOP COMPOSITE SHEET AND HILTI FS-ONE MAX/CP 619T ARE REQUIRED ON BOTH SIDES OF A WALL.



HILTI, Inc.
 Plano, Texas USA (800) 879-8000

Sheet	1 of 1
Scale	5/64" = 1"
Date	Oct. 21, 2016

Drawing No.
CAJ
0157b