

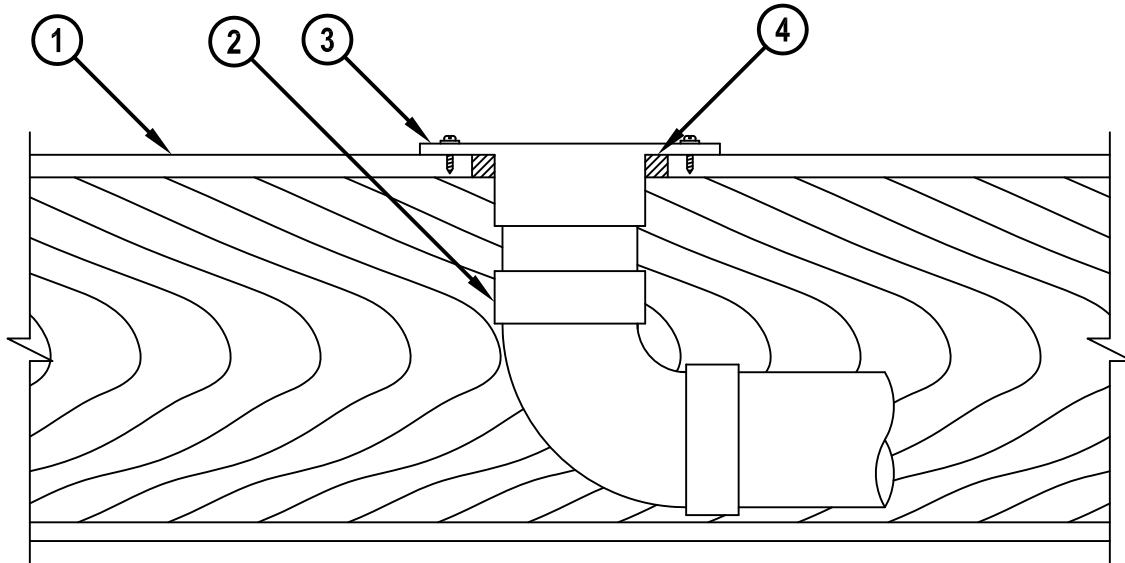
UL SYSTEM NO. F-C-2263

**CLOSET FLANGE IN WOOD FLOOR/CEILING ASSEMBLY**

F-RATING = 1-HR.

T-RATING = 1-HR.

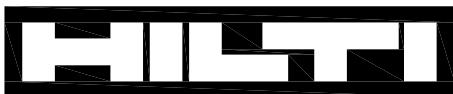
**CROSS-SECTIONAL VIEW**



FC2263d.010715

1. WOOD FLOOR/CEILING ASSEMBLY (UL CLASSIFIED L500 SERIES) (1-HR. FIRE-RATING).
2. DRAIN PIPING AND 90° ELBOW TO BE ONE OF THE FOLLOWING :
  - A. NOMINAL 4" DIAMETER PVC PLASTIC PIPE (SCHEDULE 40).
  - B. NOMINAL 4" DIAMETER ABS PLASTIC PIPE (SCHEDULE 40).
3. PVC OR ABS CLOSET FLANGE SIZED TO ACCOMMODATE DRAIN PIPE. CLOSET FLANGE SECURED TO PLYWOOD SUBFLOOR WITH STEEL SCREWS.
4. MINIMUM 3/4" DEPTH HILTI CP 606 FLEXIBLE FIRESTOP SEALANT OR HILTI FS-ONE MAX OR FS-ONE INTUMESCENT FIRESTOP SEALANT.
5. (NOT SHOWN). FLOOR MOUNTED VITREOUS WATER CLOSET.

**NOTE : DIAMETER OF OPENING TO BE MAXIMUM 1/2" LARGER THAN OUTSIDE DIAMETER OF CLOSET FLANGE.**



**Hilti Firestop Systems**

HILTI, Inc.  
Tulsa, Oklahoma USA (800) 879-8000

Sheet 1 of 1

Scale 5/32" = 1"

Date Jan. 07, 2015

Drawing No.

**FC  
2263d**

*Saving Lives through Innovation and Education*