

UL SYSTEM NO. F-C-2142

# PLASTIC PIPE THROUGH WOOD FLOOR/CEILING ASSEMBLY

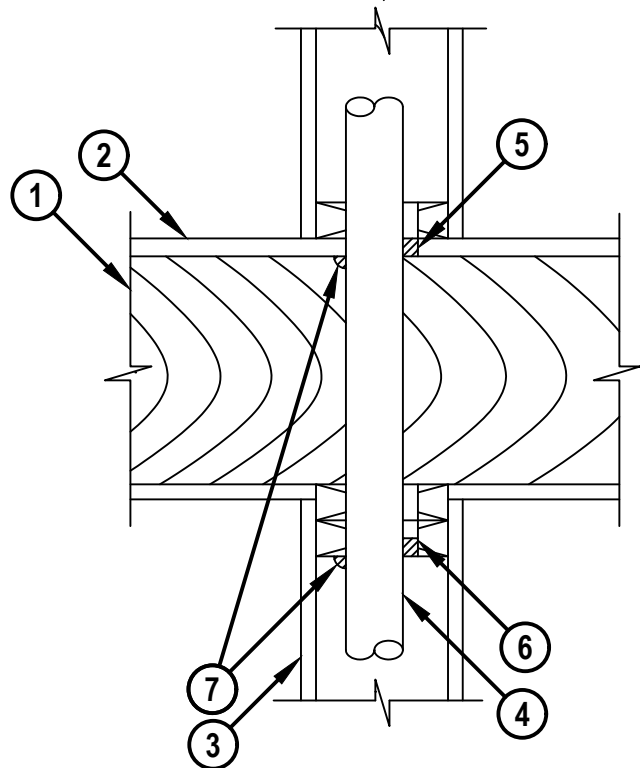
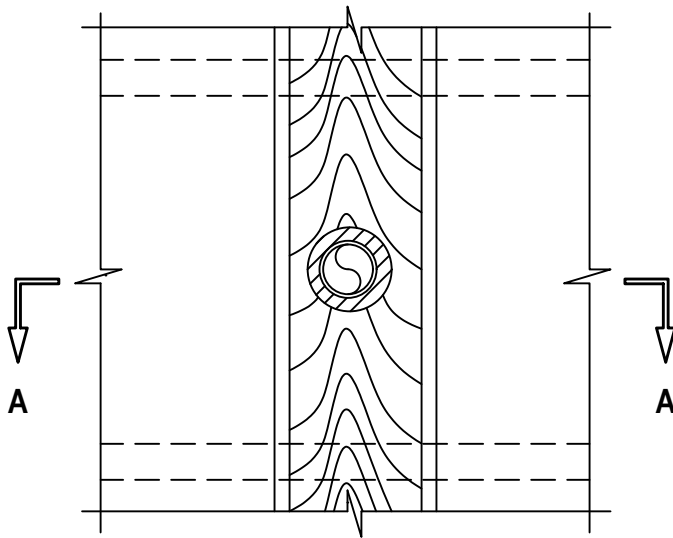
F-RATING = 1-HR.

T-RATING = 0-HR.

FC2142d.062817

**BOTTOM VIEW**

**SECTION A-A**



1. WOOD FLOOR/CEILING ASSEMBLY (UL CLASSIFIED L500 SERIES) (1-HR. FIRE-RATING).
2. LUMBER OR PLYWOOD SUBFLOOR WITH FINISH FLOOR OF LUMBER, PLYWOOD, OR FLOOR TOPPING MIXTURE.
3. [OPTIONAL] GYPSUM WALL ASSEMBLY (UL CLASSIFIED U300 SERIES) (1-HR. FIRE-RATING) CONSISTING OF NOMINAL 2" x 4" LUMBER PLATES AND STUDS.
4. PENETRATING ITEM TO BE ONE OF THE FOLLOWING (ALSO SEE NOTE NO. 3 BELOW) :
  - A. MAXIMUM 2" NOMINAL DIAMETER PVC PLASTIC PIPE (CELLULAR AND SOLID CORE).
  - B. MAXIMUM 2" NOMINAL DIAMETER ABS PLASTIC PIPE (CELLULAR AND SOLID CORE).
  - C. MAXIMUM 2" NOMINAL DIAMETER CPVC PLASTIC PIPE (CLOSED PIPING SYSTEM ONLY).
5. MINIMUM 3/4" DEPTH HILTI FS-ONE MAX INTUMESCENT FIRESTOP SEALANT FLUSH WITH TOP SURFACE OF FLOOR OR SOLE PLATE OF CHASE WALL.
6. MINIMUM 5/8" DEPTH HILTI FS-ONE MAX INTUMESCENT FIRESTOP SEALANT FLUSH WITH BOTTOM SURFACE OF CEILING OR LOWER TOP PLATE.
7. MINIMUM 1/4" BEAD HILTI FS-ONE MAX INTUMESCENT FIRESTOP SEALANT APPLIED AT POINT OF CONTACT.

**NOTES :** 1. MAXIMUM DIAMETER OF OPENING = 3".  
2. ANNULAR SPACE = MINIMUM 0", MAXIMUM 5/8".  
3. CLOSED OR VENTED PIPING SYSTEM (PVC, ABS = SCHEDULE 40; CPVC = SDR 17).



HILTI, Inc.  
Plano, Texas USA (800) 879-8000

Sheet	1 of 1
Scale	1/8" = 1"
Date	June 28, 2017

Drawing No.

**FC  
2142d**

*Saving Lives through Innovation and Education*