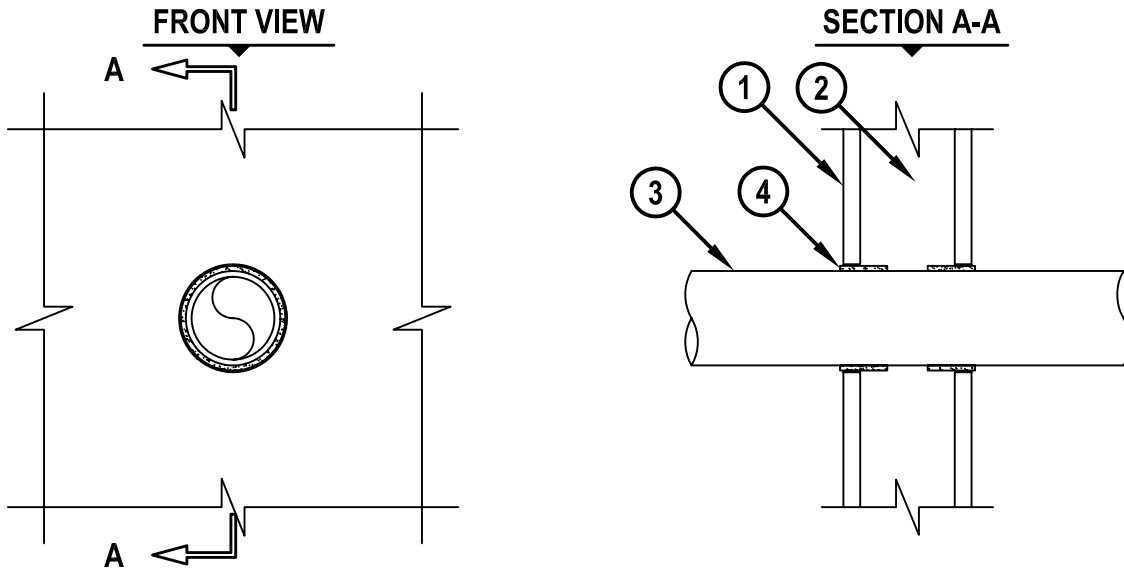


PLASTIC PIPE THROUGH GYPSUM WALL ASSEMBLY

F-RATING = 1-HR.
T-RATING = 1-HR.

WL2284c.061605



1. GYPSUM WALL ASSEMBLY (UL CLASSIFIED U300 OR U400 SERIES) (1-HR. FIRE-RATING).
2. [NOT SHOWN] WOOD STUDS TO CONSIST OF NOMINAL 2" x 4" LUMBER. STEEL STUDS TO BE MINIMUM 3-1/2" WIDE.
3. PENETRATING ITEM TO BE ONE OF THE FOLLOWING :
 - A. MAXIMUM 3" NOMINAL DIAMETER PVC PLASTIC PIPE (CELLULAR OR SOLID CORE).
 - B. MAXIMUM 3" NOMINAL DIAMETER CPVC PLASTIC PIPE (CLOSED PIPING SYSTEM ONLY).
4. HILTI CP 648E WRAP STRIP (SIZED IN ACCORDANCE WITH TABLE BELOW) OR HILTI CP 648S WRAP STRIP CONTINUOUSLY WRAPPED AROUND THE OUTER CIRCUMFERENCE OF THE PIPE, COVERING ONE TIME, AND HELD IN PLACE WITH TAPE OR INTEGRATED FASTENING TAPE (CP 648S ONLY). WRAP STRIP SLID INTO ANNULAR SPACE, SUCH THAT 1/8" OF THE WRAP STRIP PROTRUDES FROM THE WALL SURFACE.

NOMINAL PIPE DIAMETER	FIRESTOP PRODUCT
1-1/2"	CP 648E W25/1" OR CP 648E W45/1-3/4"
	CP 648S/1.5"
2"	CP 648E W25/1" OR CP 648E W45/1-3/4"
	CP 648S/2"
3"	CP 648E W45/1-3/4"
	CP 648S/3"

NOTES : 1. MAXIMUM DIAMETER OF OPENING = 4".
2. ANNULAR SPACE = NOMINAL 3/16" TO 1/4".
3. CLOSED OR VENTED PIPING SYSTEM (PVC = SCHEDULE 40; CPVC = SDR 13.5).



HILTI, Inc.
Tulsa, Oklahoma USA (918) 252-6000

Sheet	1 of 1
Scale	9/64" = 1"
Date	June 16, 2005

Drawing No.

**WL
2284c**