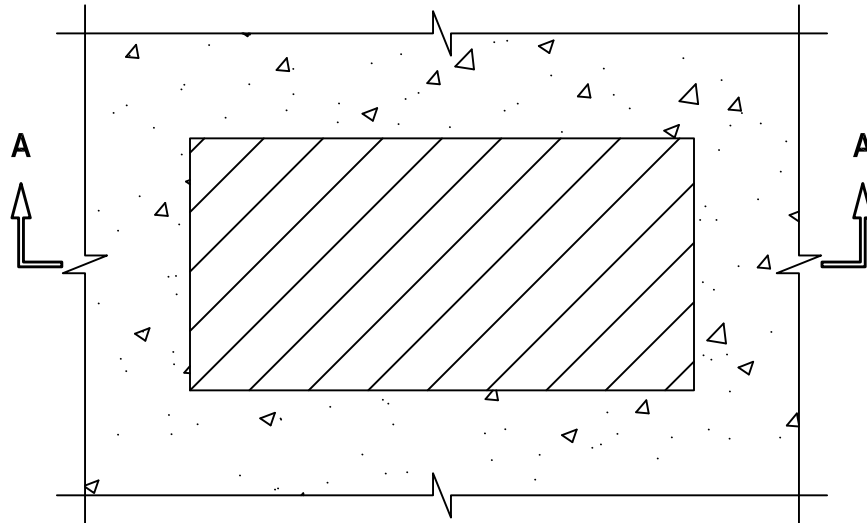


BLANK OPENING IN CONCRETE FLOOR/WALL OR BLOCK WALL ASSEMBLY

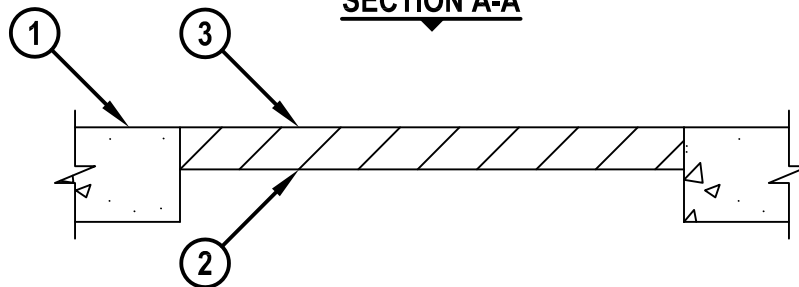
F-RATING = 3-HR.

T-RATING = 2-HR.

TOP VIEW



SECTION A-A



1. CONCRETE FLOOR OR WALL ASSEMBLY (3-HR. FIRE-RATING) :
 - A. LIGHTWEIGHT OR NORMAL WEIGHT CONCRETE FLOOR OR WALL (MINIMUM 4-1/2" THICK).
 - B. ANY UL/cUL CLASSIFIED CONCRETE BLOCK WALL.
2. FORMING NOT SHOWN. USE A RIGID BOARD MATERIAL TO SUPPORT HILTI CP 637 FIRESTOP MORTAR DURING ITS INITIAL CURE.
3. MINIMUM 2" DEPTH HILTI CP 637 FIRESTOP MORTAR.

NOTE : MAXIMUM AREA OF OPENING = 288 SQ. IN. WITH A MAX. DIM. OF 24".

CAJ0082d.090618

 Hilti Firestop Systems	HILTI, Inc. Plano, Texas USA (800) 879-8000	Sheet 1 of 1	Drawing No. CAJ 0082d
		Scale 7/64" = 1"	
		Date Sep. 06, 2018	
<i>Saving Lives through Innovation and Education</i>			