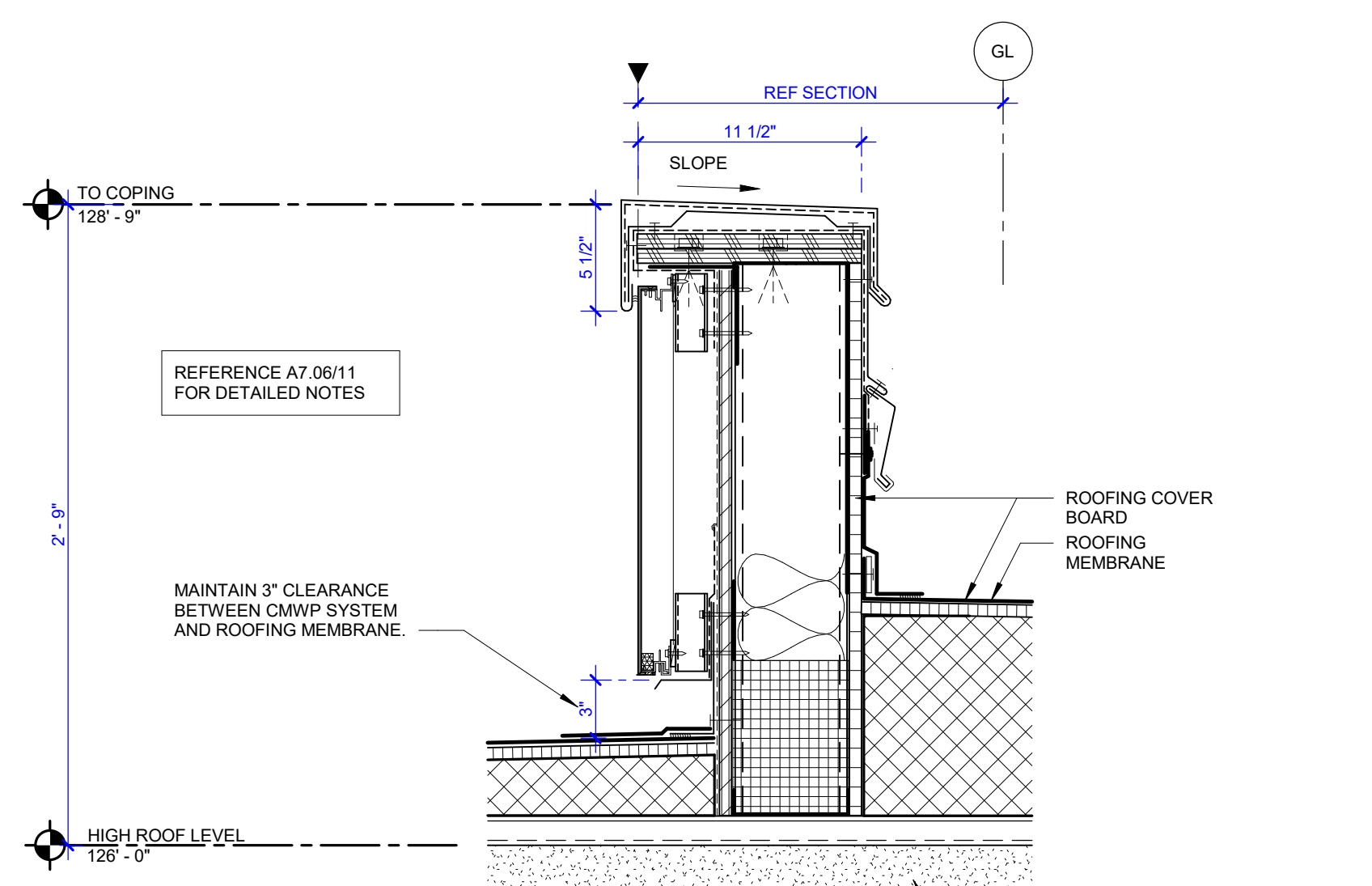
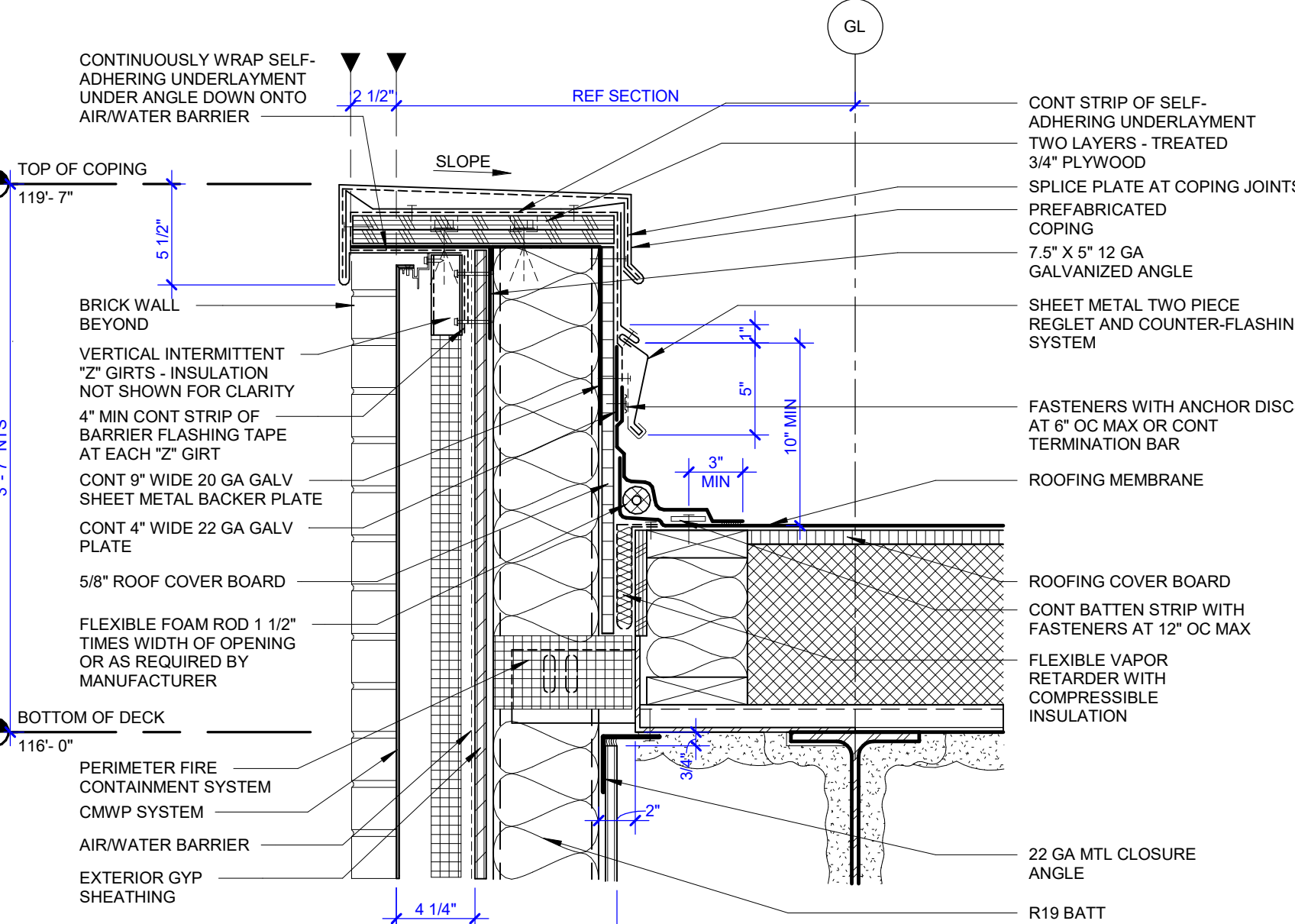


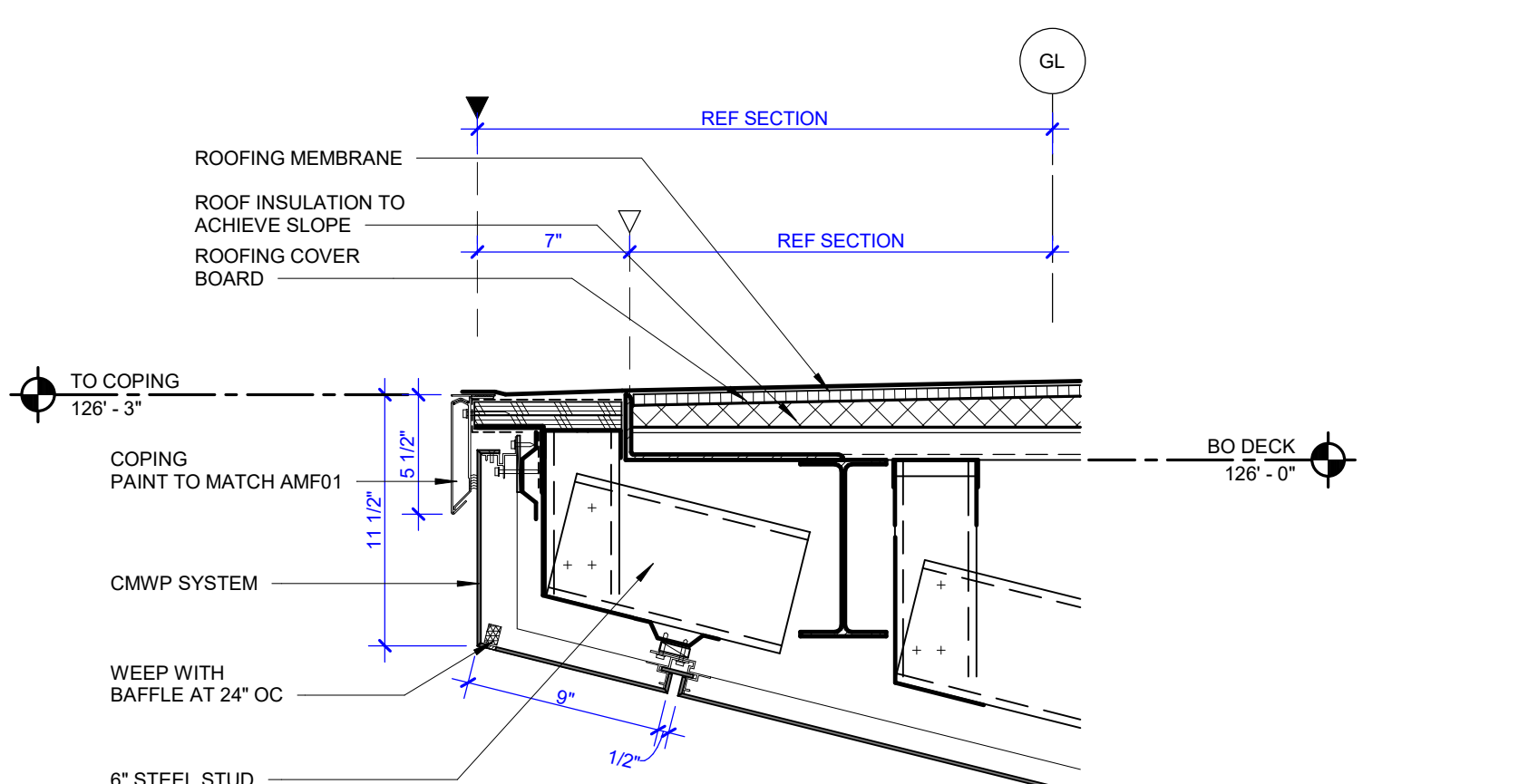
TILE BLOCK VERSION: 20210830
 MODEL: A:\shared\Draw\2017\0200_HHS\23\Rio Grande State Center_2023\A7.06_Section Details_Sheet_Cover.dwg
 PRINT DATE: 09/17/2025 4:33:08 PM
 TEMPLATE VERSION: 23.0.4



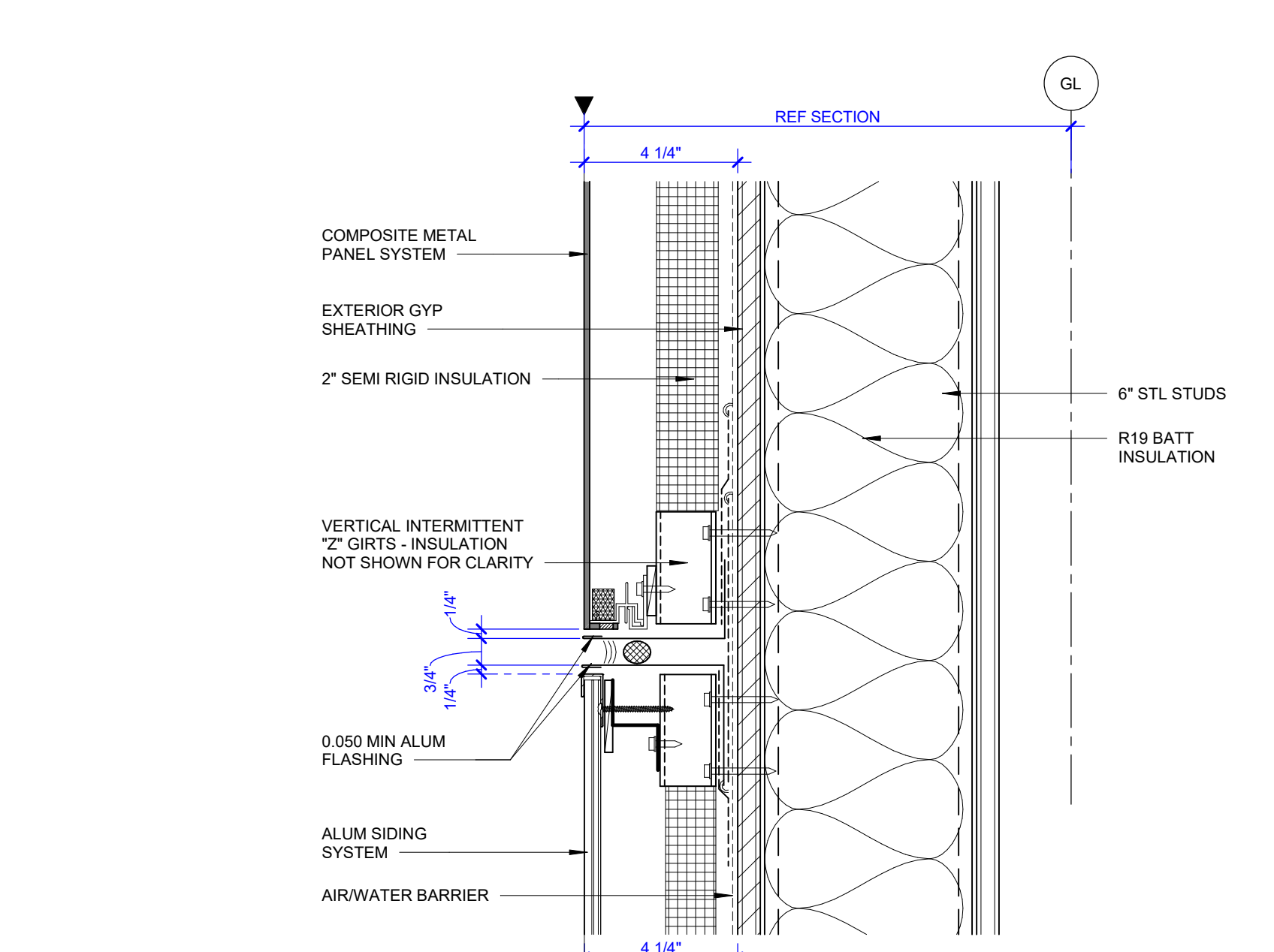
16 PARAPET DETAIL AT CMWP HIGH ROOF
 1 1/2" = 1'-0"



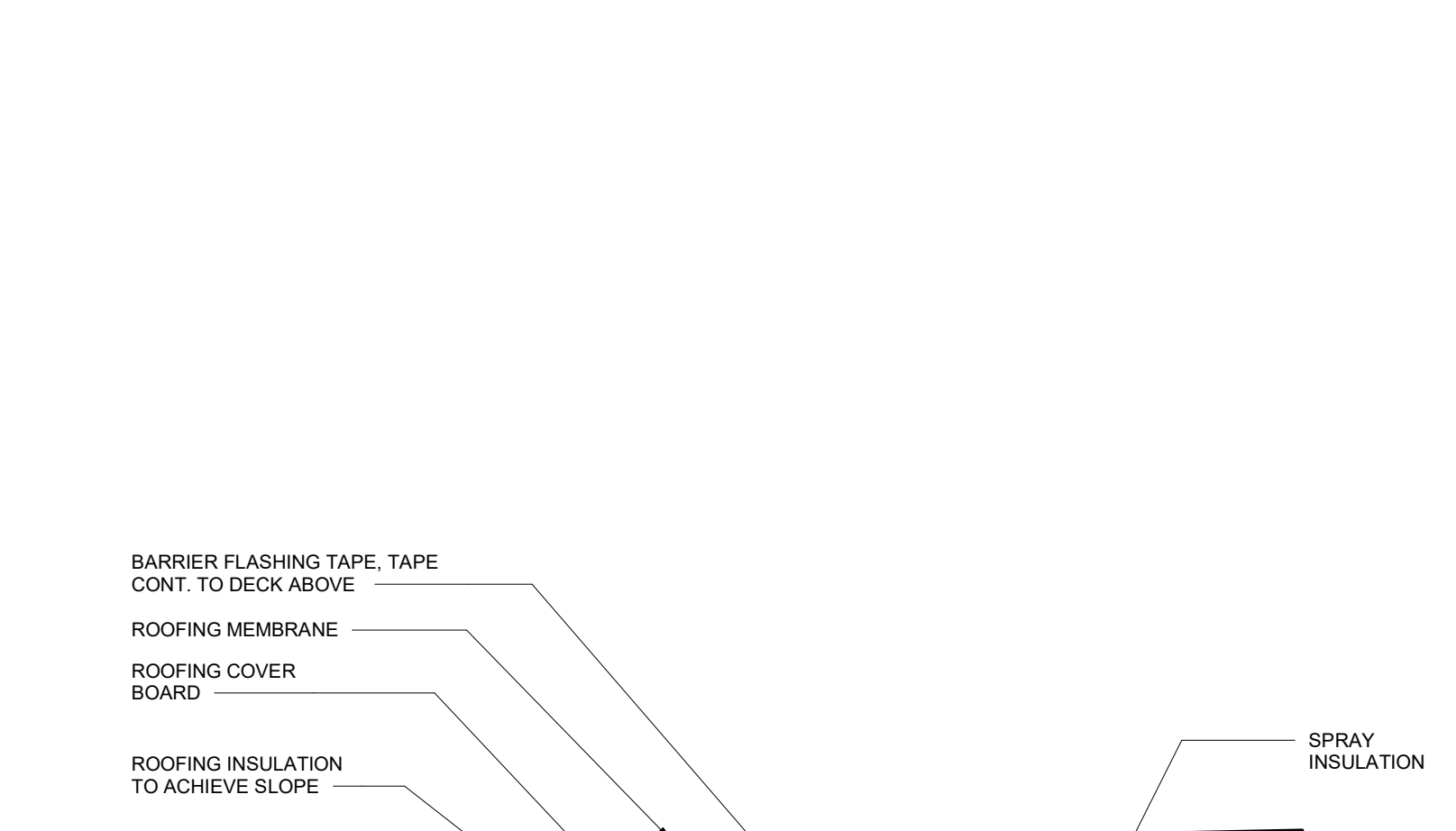
15 EXTENDED COPING AT SINGLE PLY ROOFING
 1 1/2" = 1'-0"



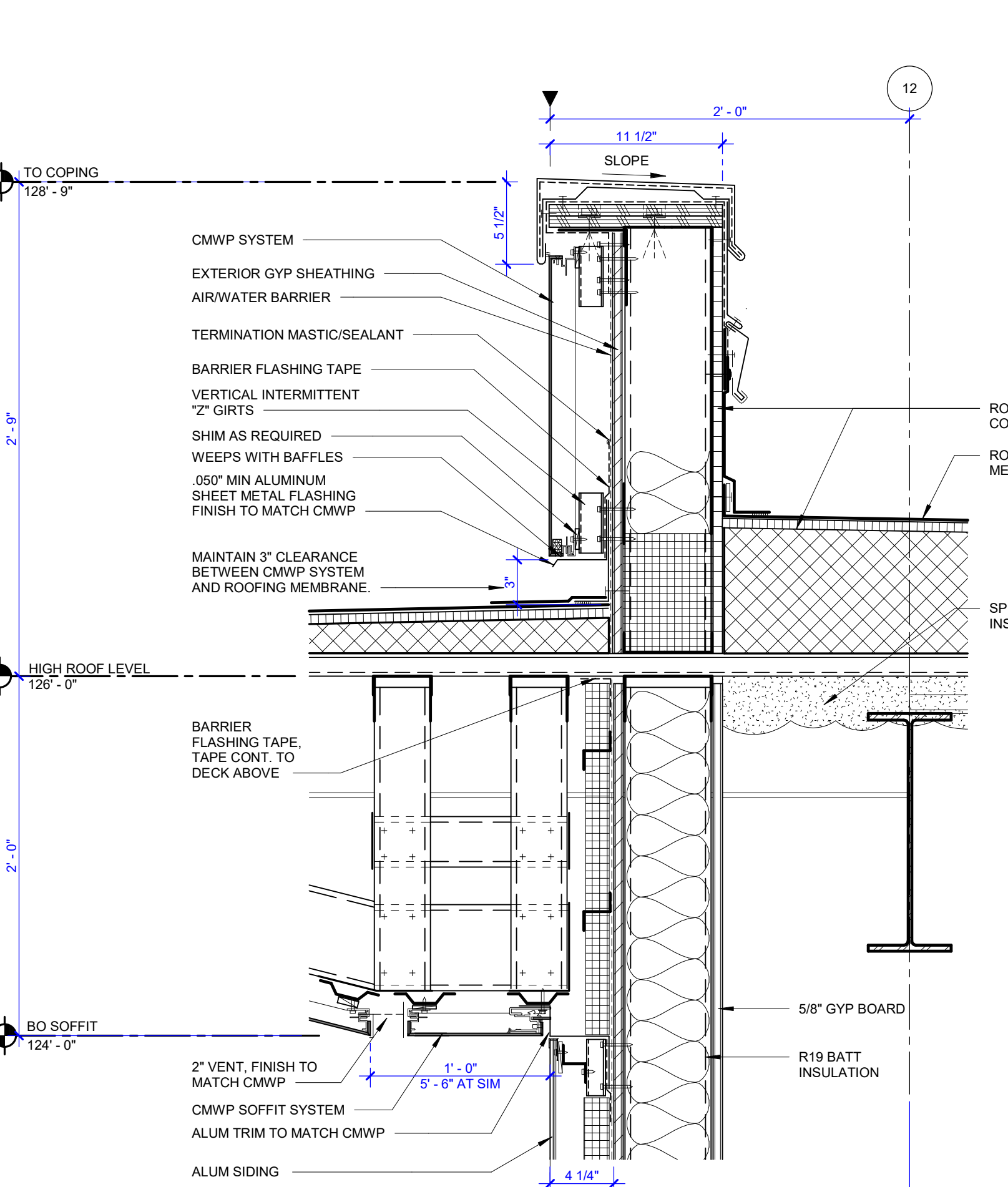
14 SECTION DETAIL AT CMWP "BROW" EDGE
 1 1/2" = 1'-0"



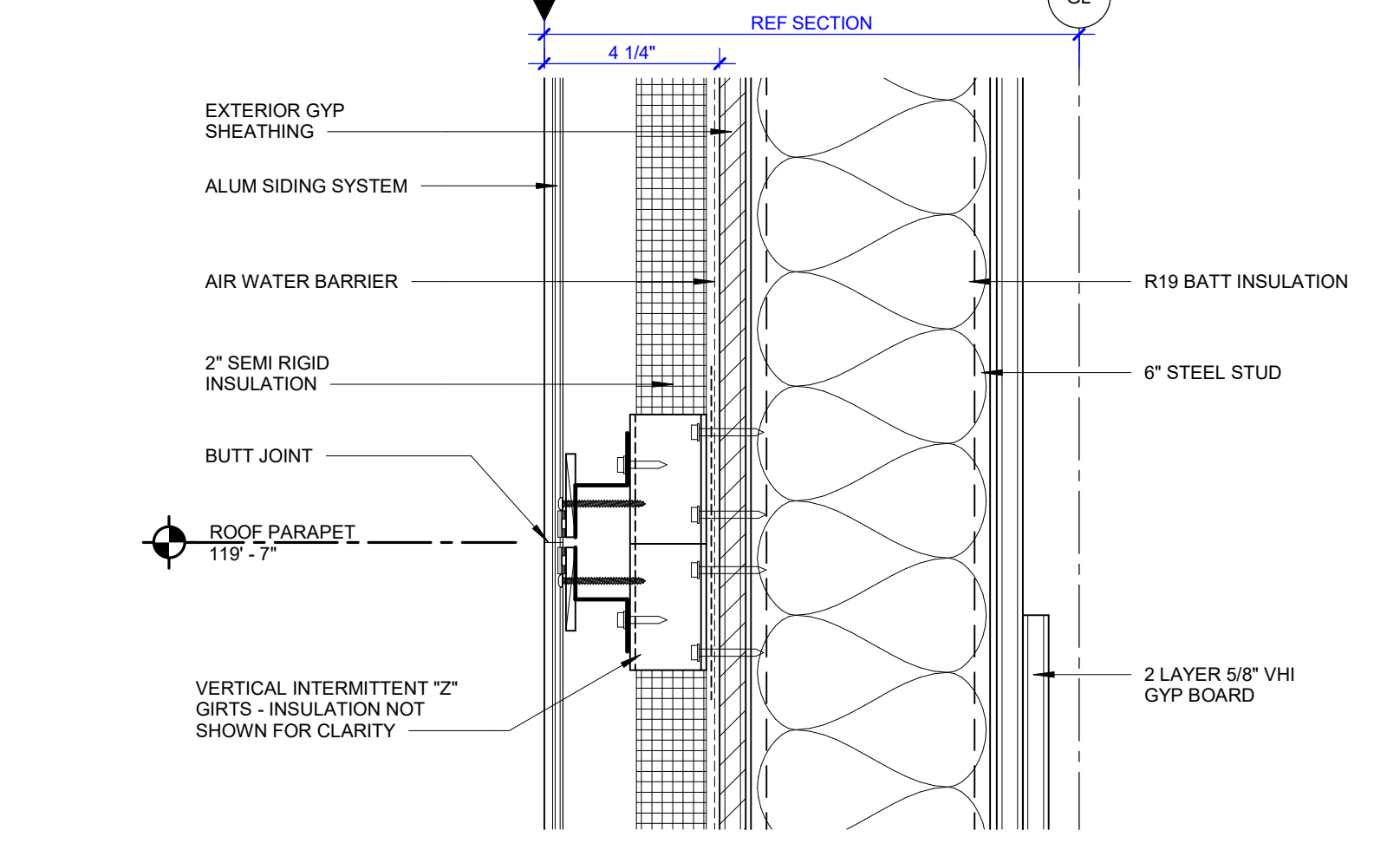
13 ALUM AND CMWP TRANSITION
 3" = 1'-0"



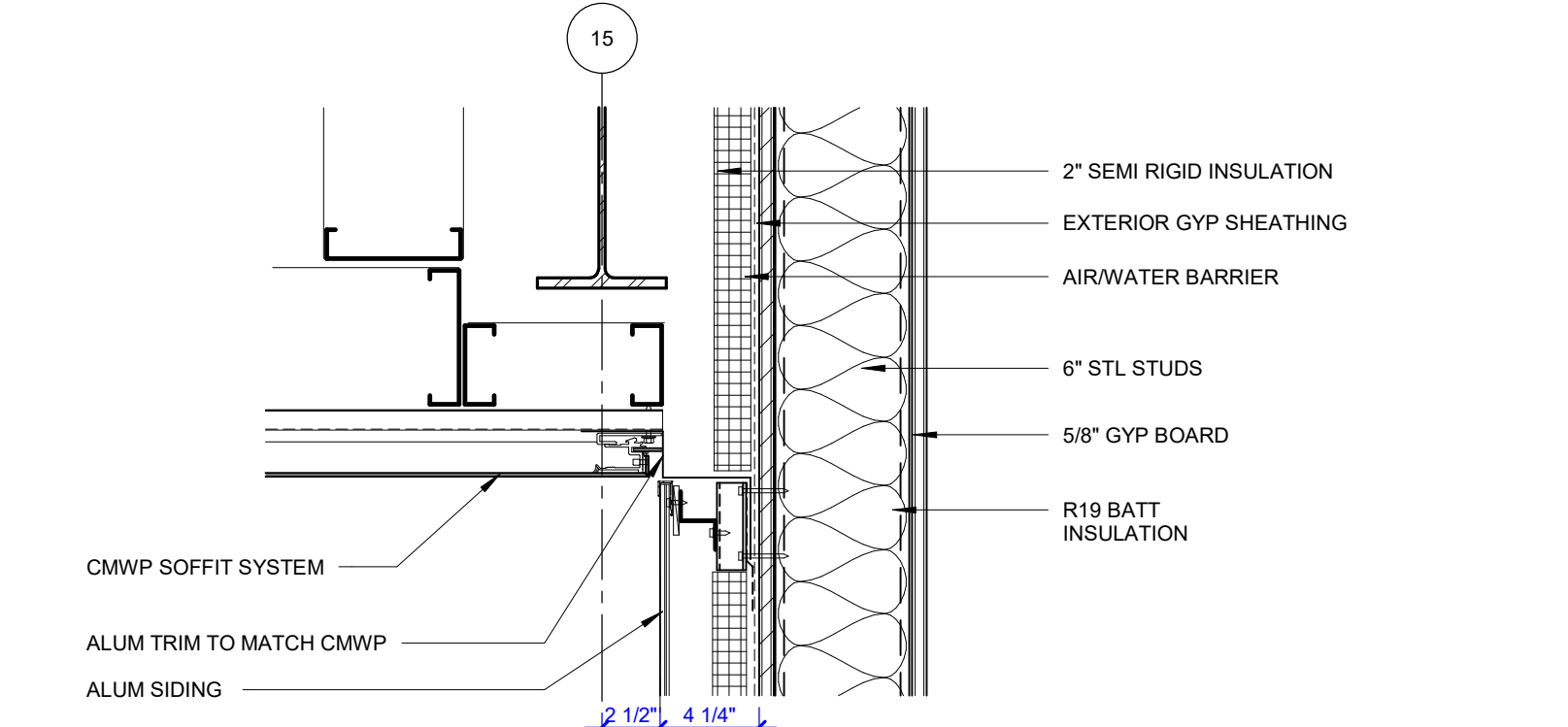
12 CMWP SOFFIT AND BRICK WALL AT MAIN ENTRY
 1 1/2" = 1'-0"



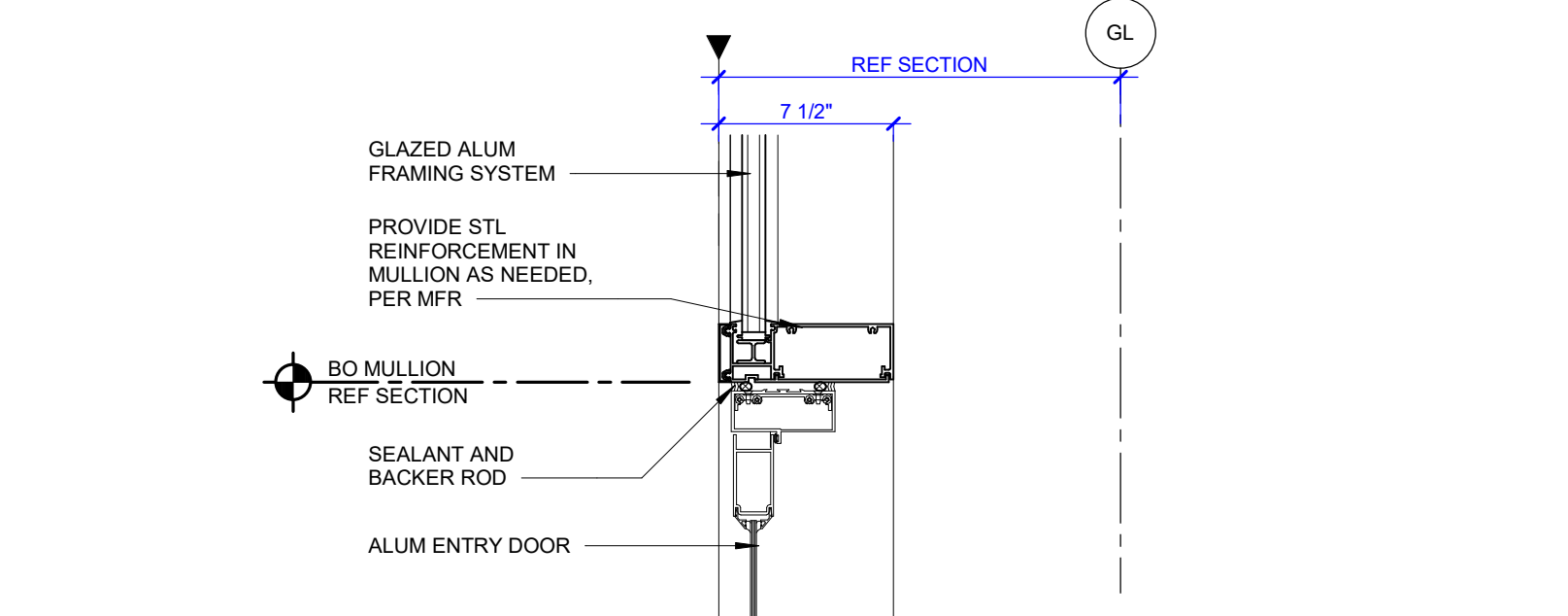
11 CMWP SOFFIT AND ALUM SIDING AT MAIN ENTRY
 1 1/2" = 1'-0"



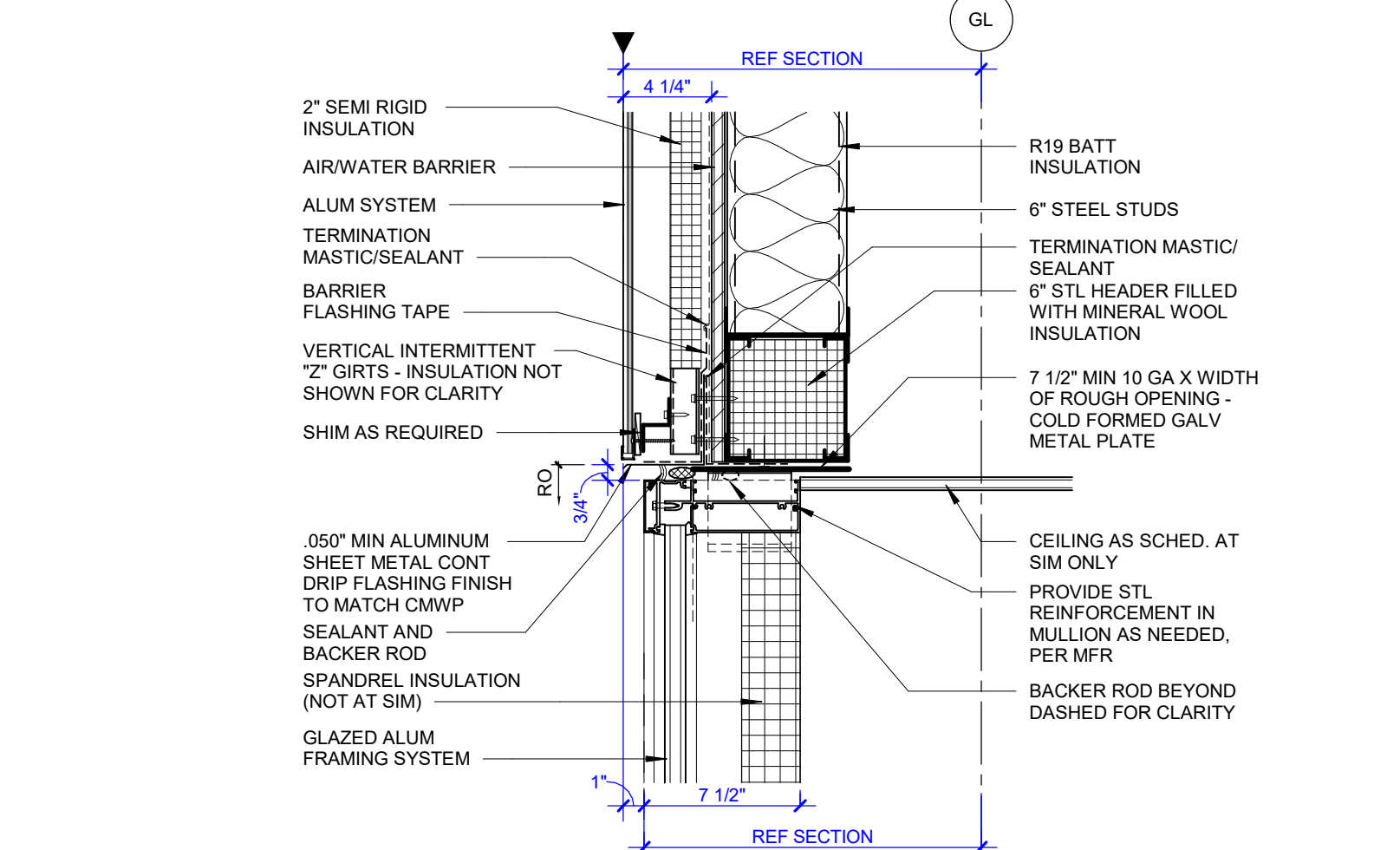
10 ALUM PANEL BUTT JOINT
 3" = 1'-0"



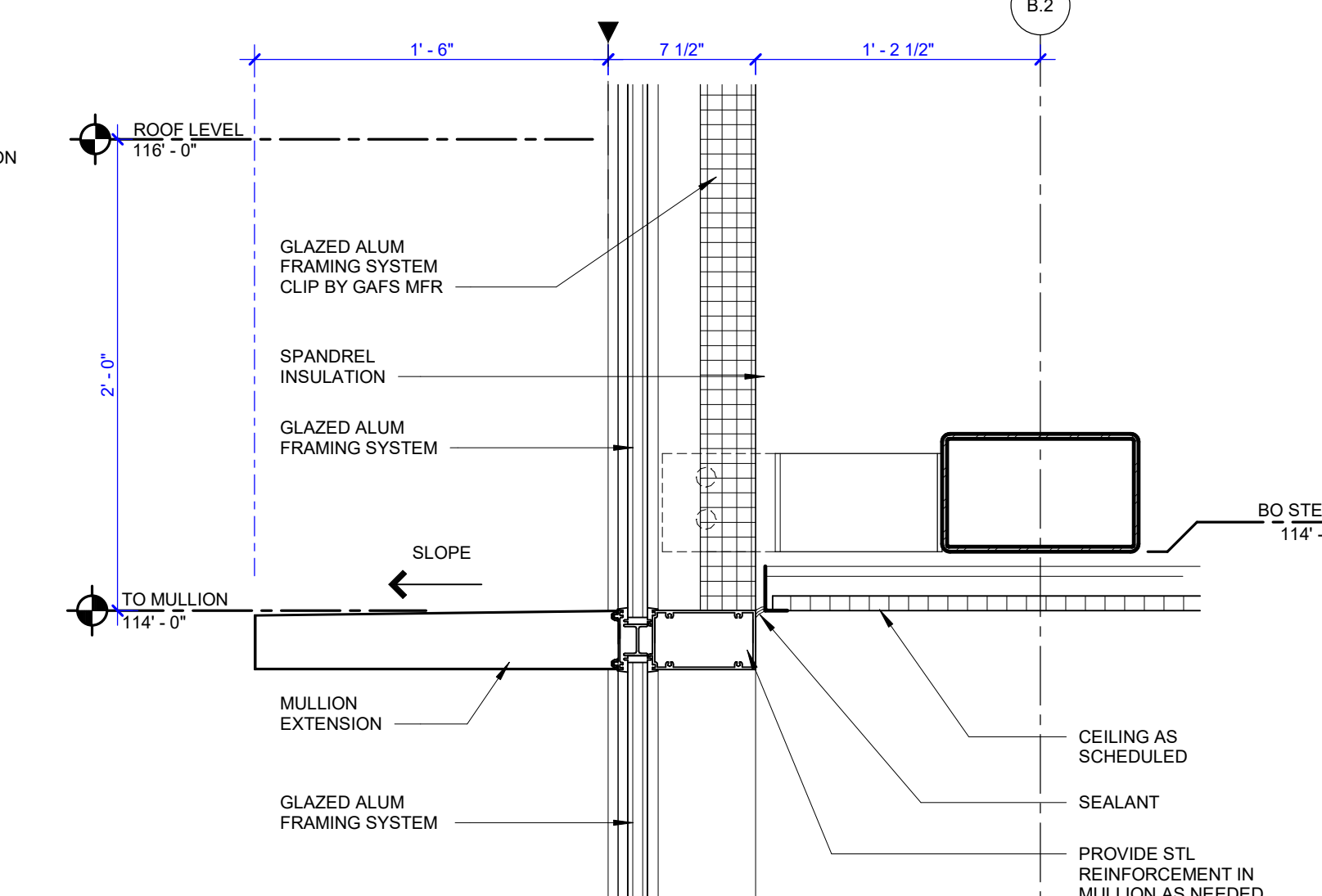
09 SECTION DETAIL AT CMWP SOFFIT AND ALUM SIDING
 1 1/2" = 1'-0"



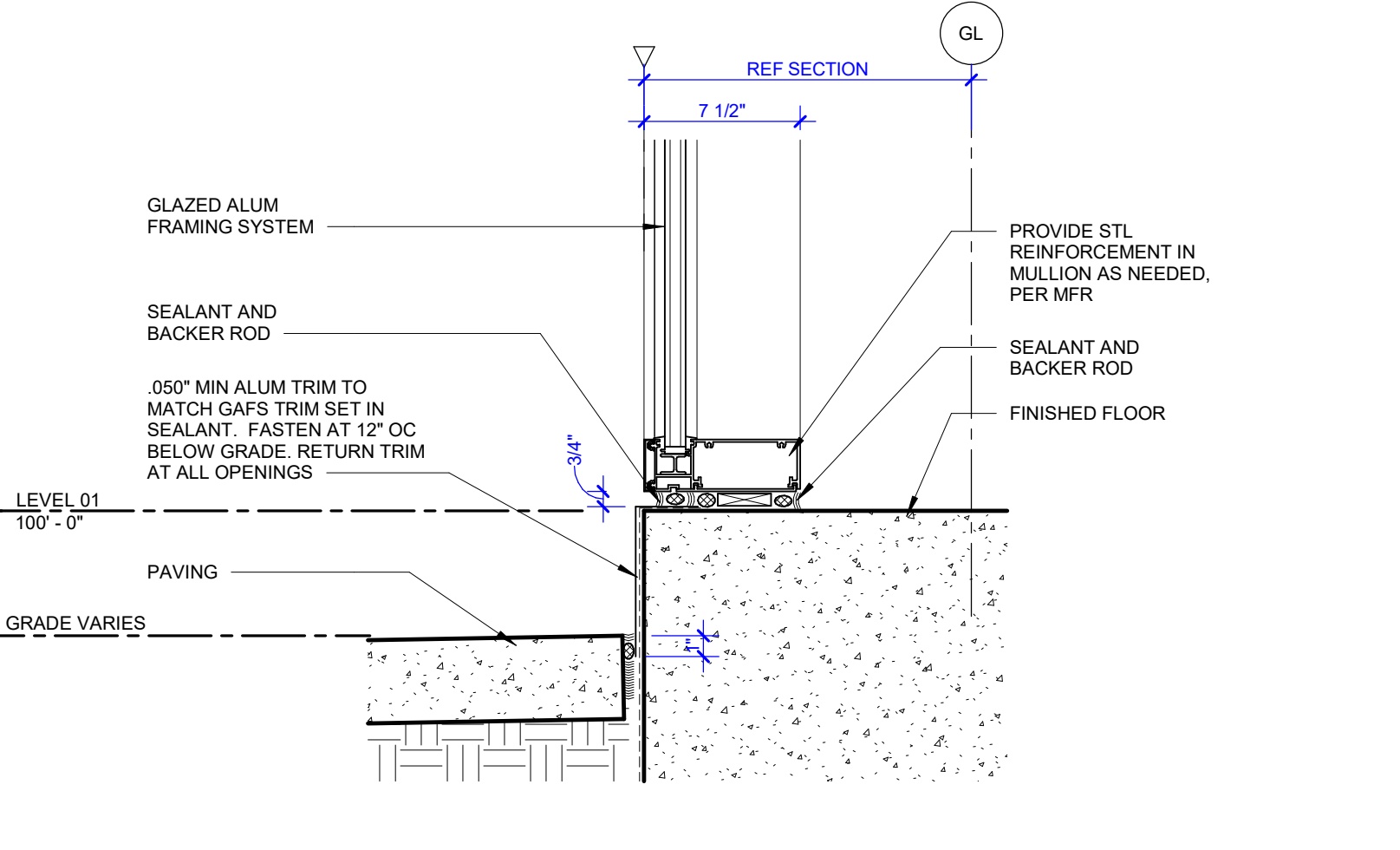
08 ALUM DOOR HEAD DETAIL
 1 1/2" = 1'-0"



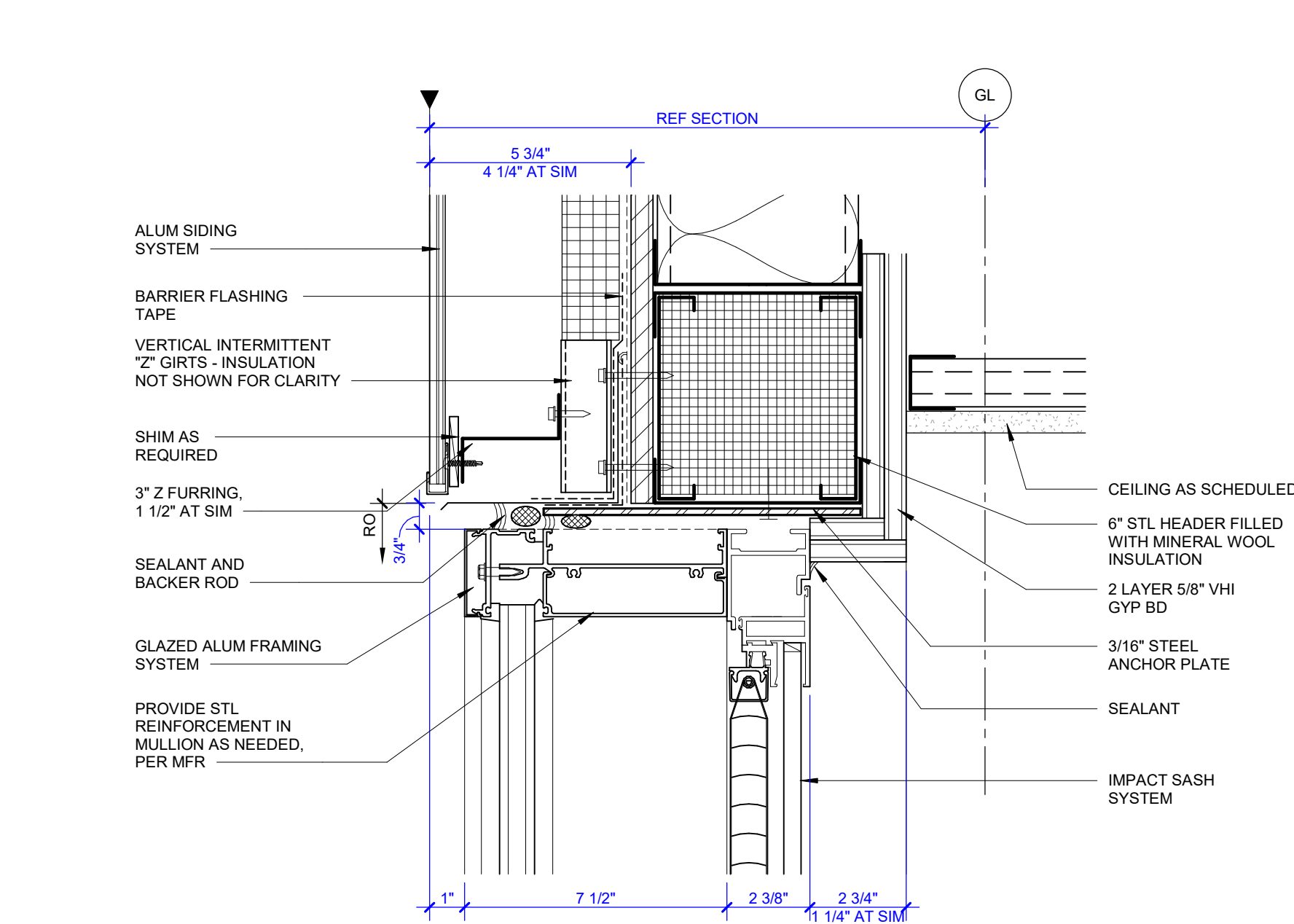
07 HEAD DETAIL AT GAFS AND ALUM SIDING
 1 1/2" = 1'-0"



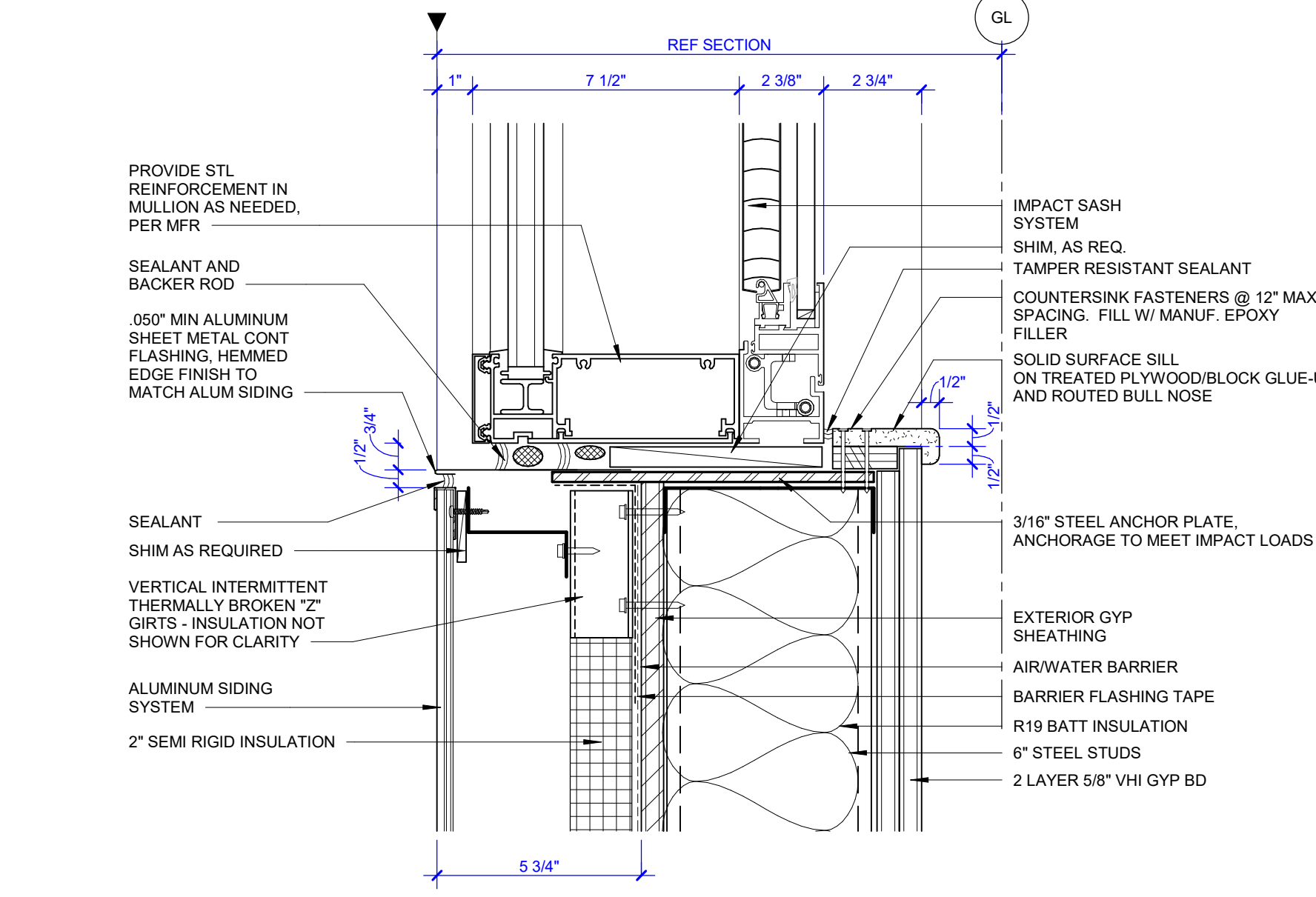
06 GAFS MULLION EXTRUSION
 1 1/2" = 1'-0"



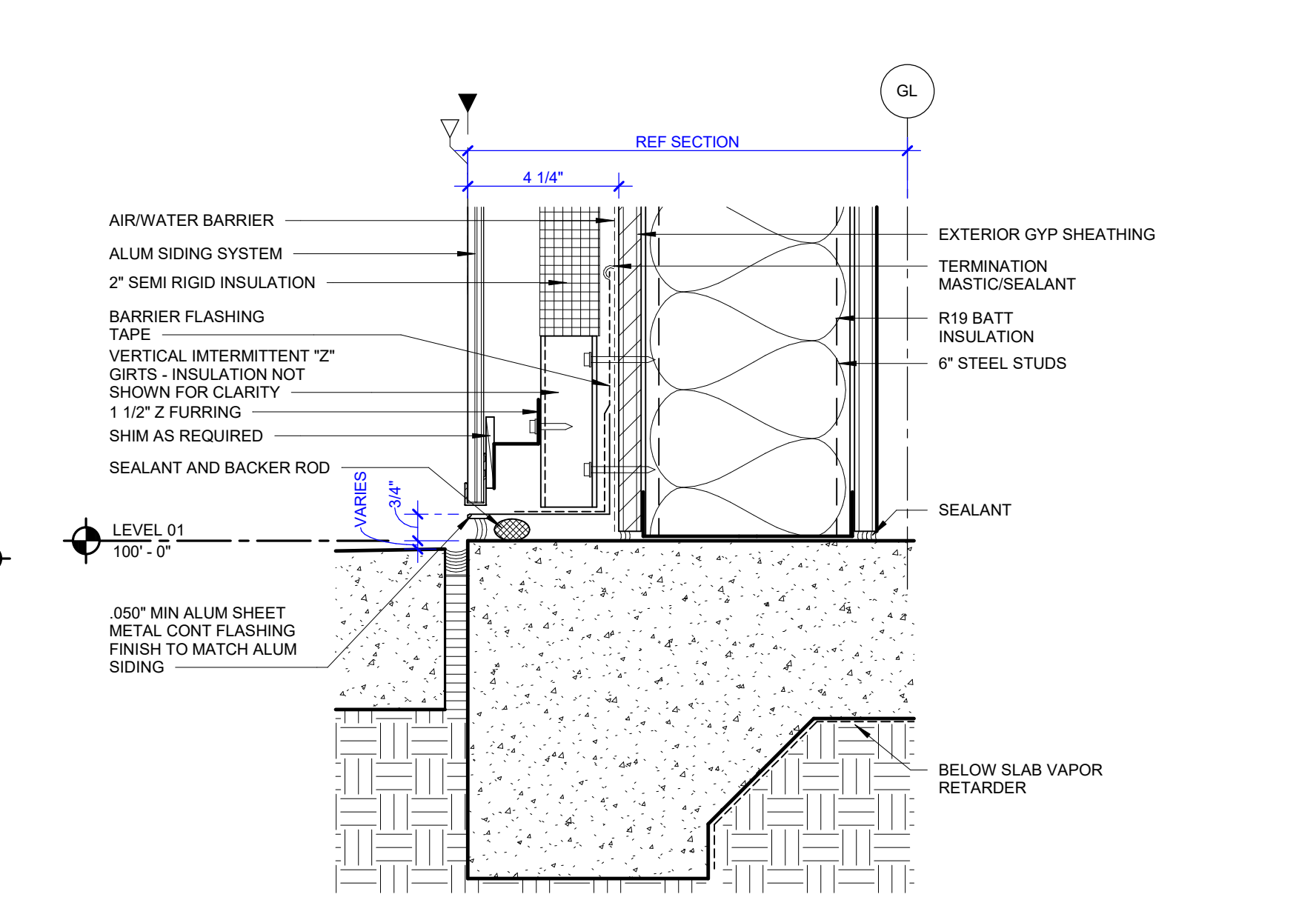
05 SILL DETAIL AT GAFS
 1 1/2" = 1'-0"



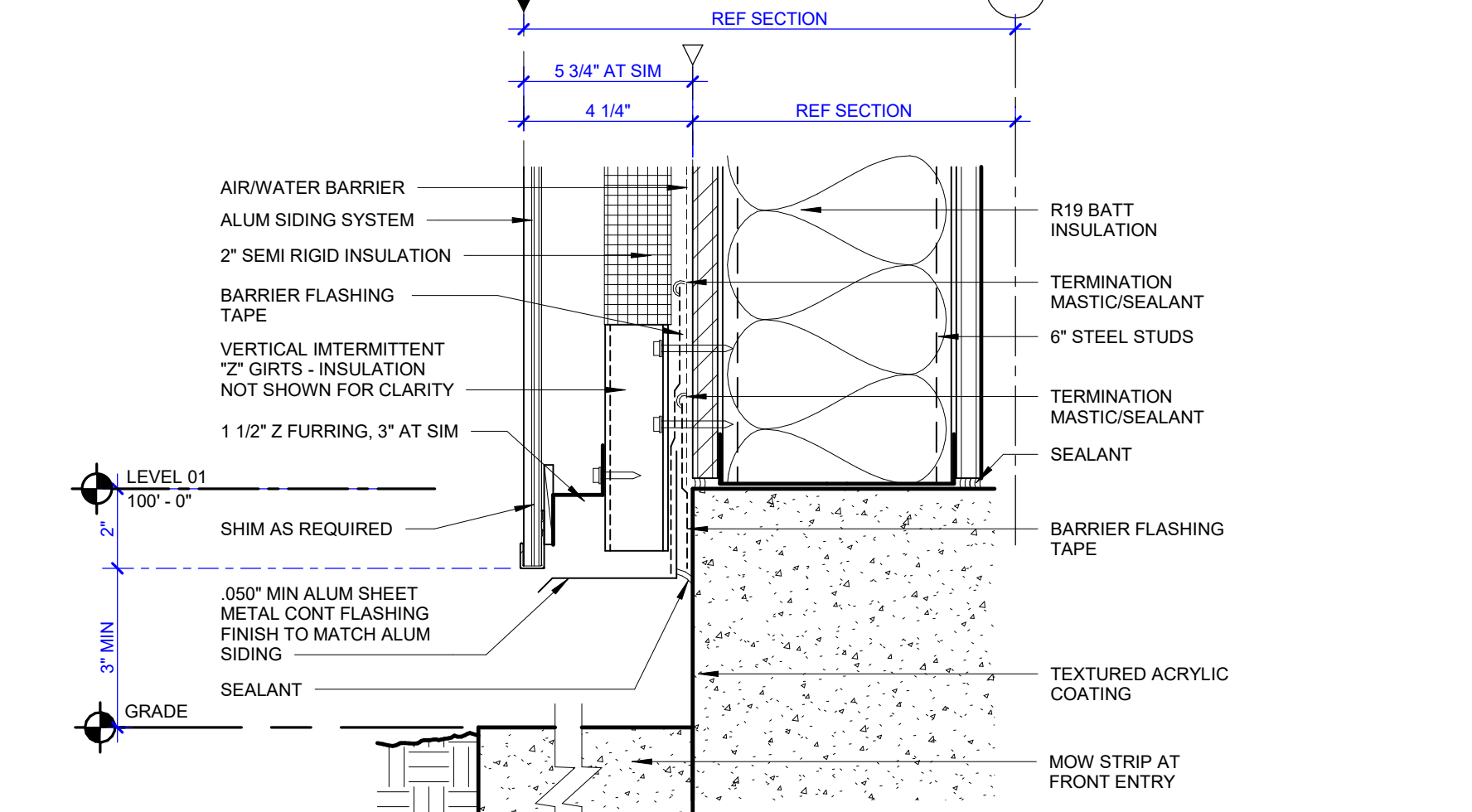
04 SECTION DETAIL AT IPU WINDOW HEAD
 3" = 1'-0"



03 SECTION DETAIL AT IPU WINDOW SILL
 3" = 1'-0"



02 FOUNDATION DETAIL AT PAVING
 3" = 1'-0"



01 FOUNDATION DETAIL
 3" = 1'-0"

ARCHITECT
 HKS, INC.
 350 N. SMITH ST. SUITE 100
 DALLAS, TX 75201

MBH CONSULTANT
 ARCHITECTURE+
 297 RIVER ST # 400
 TROY, NY 12180

CIVIL ENGINEER
 GARZA ENG.
 7708 RIALTO BLVD, STE. 125
 AUSTIN, TX 78735

LANDSCAPE ARCHITECT
 KIMLEY-HORN
 280 DAVIS ST, SUITE 100
 MCKINNEY, TX 75069

STRUCTURAL ENGINEER
 MARTINEZ MOORE ENGINEERS, LLC/WALTER P. MOORE
 500 N AKARD ST #2300
 DALLAS, TX 75201

MEP ENGINEER
 MPECE
 6341 CAMPUS CIR DR E
 IRVING, TX 75038

SECURITY CONSULTANT
 DATACOM
 9111 JOLLYVILLE RD SUITE 290
 AUSTIN, TX 78759

MEQ CONSULTANT
 COVALUIS LLC
 901 MAIN ST SUITE 4100
 DALLAS, TX 75202

FOOD SERVICE CONSULTANT
 SDI CONSULTING
 8800 S CHESTER ST SUITE 550
 CENTENNIAL, CO 80112

GRAPHICS/WAYFINDING
 FMG DESIGN, INC.
 101 CRAWFORD ST SUITE 1A
 HOUSTON, TX 77002

RIO GRANDE MAXIMUM SECURITY UNIT
 1401 S RANGELVILLE RD, HARLINGEN, TX 78552



TEXAS Health and Human Services

SEAL & SIGNATURE

SEPTEMBER 17, 2025

KEY PLAN

| NO. | DESCRIPTION | DATE |
|-----|-------------|------|
| | | |

HKS PROJECT NUMBER
26170.000

DATE
09/17/2025

ISSUE
CP2 CONSTRUCTION DOCUMENTS

SHEET TITLE
SECTION DETAILS