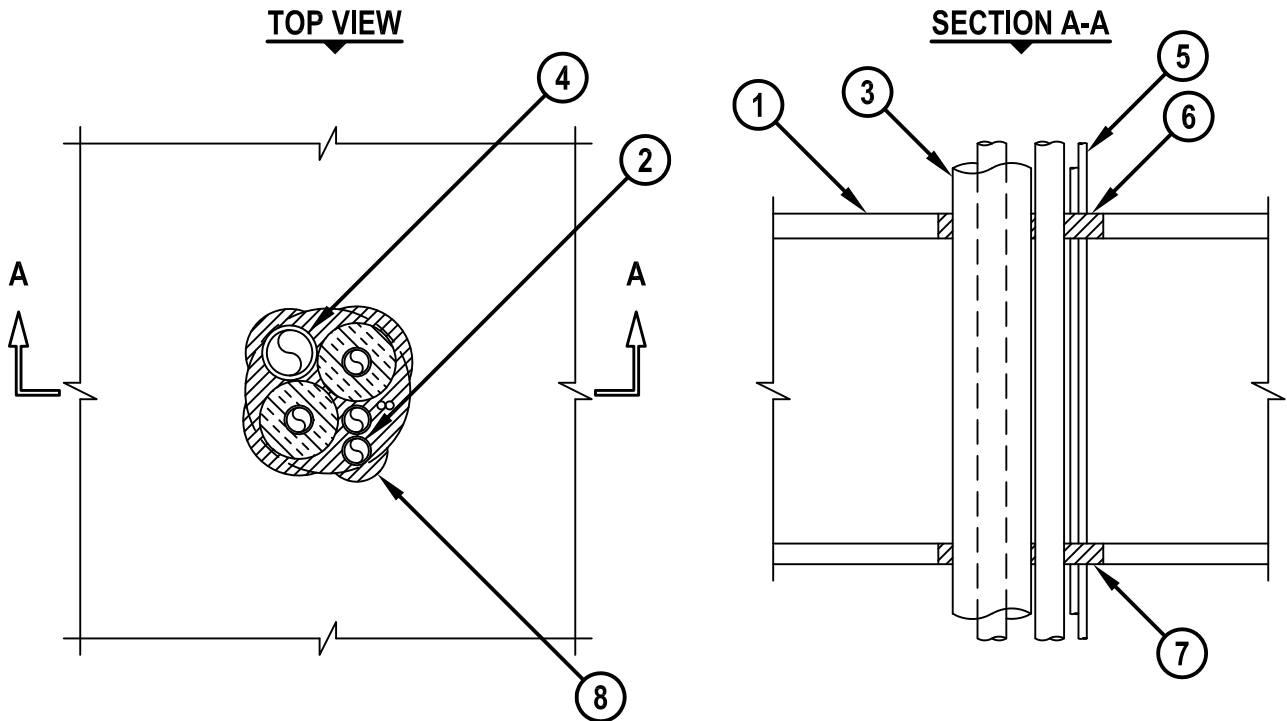


**MULTIPLE HVAC LINE SET THROUGH WOOD FLOOR/CEILING ASSEMBLY**

F-RATING = 1-HR.

T-RATING = 1-HR.

FC8026b.010815



1. WOOD FLOOR/CEILING ASSEMBLY (UL/cUL CLASSIFIED L500 SERIES) (1-HR. FIRE-RATING).
2. PENETRATING METALLIC ITEMS TO BE ANY OF THE FOLLOWING (ONE OR MORE) :
  - A. MAXIMUM 3/4" NOMINAL DIAMETER STEEL PIPE (SCHEDULE 10 OR HEAVIER).
  - B. MAXIMUM 3/4" NOMINAL DIAMETER COPPER PIPE.
3. NOMINAL 3/4" THICK AB/PVC PIPE INSULATION INSTALLED ON ONE OR MORE METALLIC PIPES.
4. PENETRATING NONMETALLIC ITEMS TO BE ONE OF THE FOLLOWING (SEE NOTE NO. 3 BELOW) :
  - A. MAXIMUM 1-1/4" NOMINAL DIAMETER PVC PLASTIC PIPE (CELLULAR OR SOLID CORE).
  - B. MAXIMUM 1-1/4" NOMINAL DIAMETER CPVC PLASTIC PIPE (CLOSED PIPING SYSTEM ONLY).
5. MAXIMUM 4-PAIR NO. 18 AWG THERMOSTAT CABLE WITH PVC JACKET (MAX. QTY. = 2).
6. MINIMUM 3/4" DEPTH HILTI FS-ONE MAX OR FS-ONE INTUMESCENT FIRESTOP SEALANT.
7. MINIMUM 5/8" DEPTH HILTI FS-ONE MAX OR FS-ONE INTUMESCENT FIRESTOP SEALANT.
8. MINIMUM 1/4" BEAD HILTI FS-ONE MAX OR FS-ONE INTUMESCENT FIRESTOP SEALANT APPLIED AT POINT OF CONTACT.

**NOTES :** 1. MAXIMUM DIAMETER OF OPENING = 5".  
 2. ANNULAR SPACE = MINIMUM 0", MAXIMUM 1".  
 3. NONMETALLIC PIPE SHALL BE SPACED MINIMUM 1-1/2" FROM NON-INSULATED THROUGH PENETRANTS.  
 4. CLOSED OR VENTED PIPING SYSTEM. (PVC = SCHEDULE 40; CPVC = SDR 13.5).  
 5. [NOT SHOWN, OPTIONAL] CHASE WALL - THE THROUGH PENETRANT MAY BE ROUTED THROUGH A 1-HR. FIRE-RATED GYPSUM CHASE WALL ASSEMBLY.



HILTI, Inc.  
 Tulsa, Oklahoma USA (800) 879-8000

Sheet	1 of 1
Scale	1/8" = 1"
Date	Jan. 08, 2015

Drawing No.

**FC  
8026b**