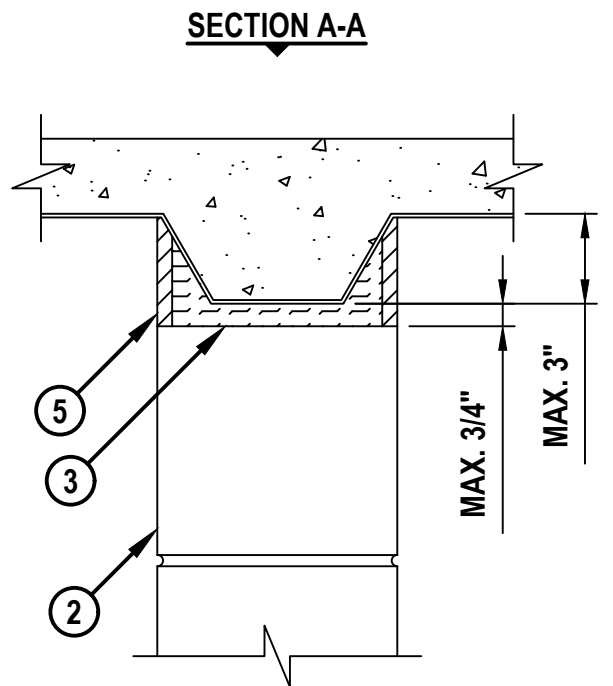
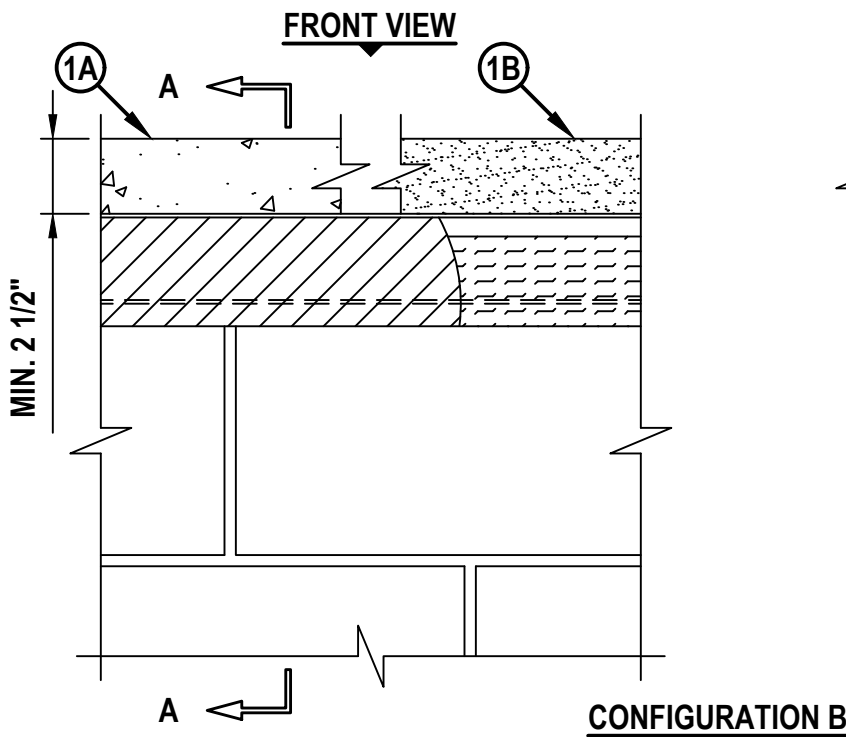
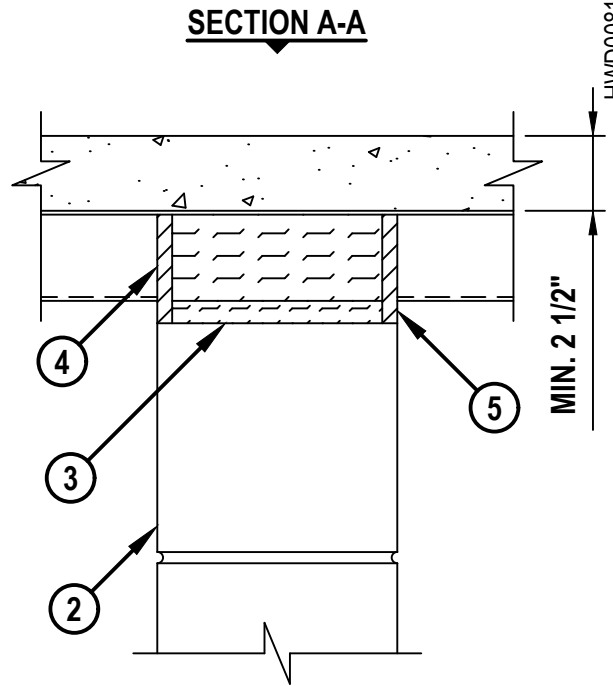
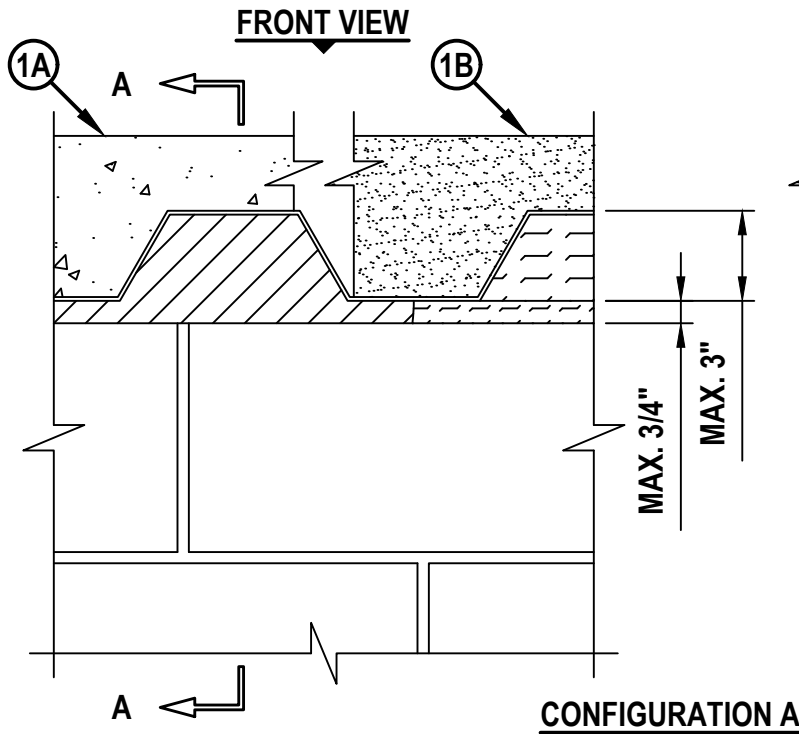


**TOP OF WALL JOINT : CONCRETE WALL OR BLOCK WALL ASSEMBLY**

ASSEMBLY RATING = 2-HR.

CLASS II MOVEMENT CAPABILITIES - 33% COMPRESSION OR EXTENSION

HWD0081j.062917



HILTI, Inc.  
Plano, Texas USA (918) 252-6000

|       |               |
|-------|---------------|
| Sheet | 1 of 2        |
| Scale | 5/32" = 1"    |
| Date  | June 29, 2017 |

Drawing No.  
**HWD  
0081j**

UL/cUL SYSTEM NO. HW-D-0081

**TOP OF WALL JOINT : CONCRETE WALL OR BLOCK WALL ASSEMBLY**

ASSEMBLY RATING = 2-HR.

CLASS II MOVEMENT CAPABILITIES - 33% COMPRESSION OR EXTENSION

HWD0081j.062917

1. FLOOR OR ROOF ASSEMBLY (1-HR. OR 2-HR. FIRE-RATING) :
  - A. LIGHTWEIGHT OR NORMAL WEIGHT CONCRETE FLOOR (MINIMUM 2-1/2" THICK) OVER METAL DECKING (UL/cUL CLASSIFIED D700 OR D900 SERIES).
  - B. INSULATING CONCRETE (MINIMUM 2-1/4" THICK) OVER METAL DECKING (UL/cUL CLASSIFIED P900 SERIES).
2. CONCRETE WALL ASSEMBLY (2-HR. FIRE-RATING) :
  - A. LIGHTWEIGHT OR NORMAL WEIGHT CONCRETE WALL (MINIMUM 5" THICK).
  - B. ANY UL/cUL CLASSIFIED CONCRETE BLOCK WALL.
3. MINERAL WOOL SAFING (MIN. 4 PCF DENSITY) COMPRESSED 50% AND INSERTED INTO JOINT, RECESSED 1/2" ON EACH SIDE OF WALL TO ACCOMMODATE FIRESTOP SEALANT.
4. HILTI CP 777 SPEED PLUGS FRICTION FITTED TO COMPLETELY FILL FLUTE, RECESSED 1/2" ON EACH SIDE OF WALL TO ACCOMMODATE FIRESTOP SEALANT.
5. MINIMUM 1/2" DEPTH HILTI CP 606 FLEXIBLE FIRESTOP SEALANT FLUSH WITH BOTH SIDES OF WALL ASSEMBLY.

NOTES : 1. MAXIMUM WIDTH OF JOINT = 3/4".  
2. AS AN ALTERNATE TO HILTI CP 777 SPEED PLUGS, MINERAL WOOL SAFING (MIN. 4 PCF DENSITY) COMPRESSED 20% MAY BE USED.



HILTI, Inc.  
Plano, Texas USA (918) 252-6000

|       |               |
|-------|---------------|
| Sheet | 2 of 2        |
| Scale | -             |
| Date  | June 29, 2017 |

Drawing No.  
**HWD  
0081j**

*Saving Lives through Innovation and Education*