

FILE HOME

New Clone Save As Default Delete

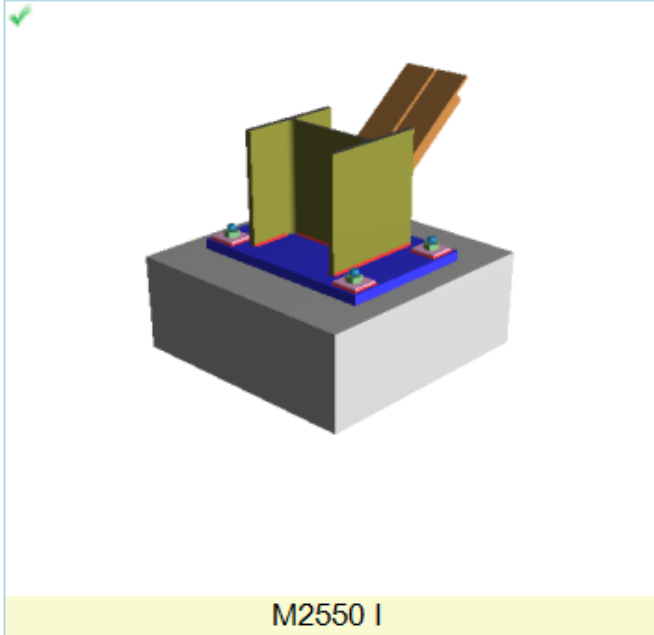
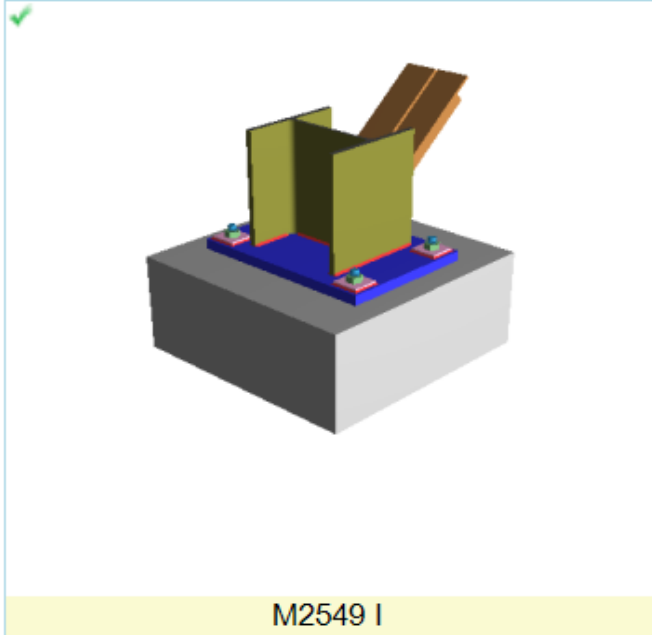
Units Settings

Export to RISA-3D/FL Export to PROFIS Import PROFIS Results Detach

Project Group

Connection Project Tools

Available Connections in Col BP with brace (Lateral) Group



The screenshot shows a software interface with a top menu bar containing icons for 'up', 'Connection', 'Options', 'olve', and 'Display'. Below the menu is a 'Project Explorer' pane with a tree view. The tree view is expanded to show a folder named 'CR559'. Under 'CR559', there are three main items: 'Col BP (Gravity) (WF) (Pass)', 'Col BP with brace (Lateral) (Pass)', and 'Col BP with brace (Lateral) (Pass)'. The 'Col BP with brace (Lateral) (Pass)' item is currently selected and highlighted in grey. Under the selected item, there are three sub-items: 'M2549 I (LC-11, UC-0.8) (Pass)', 'M2550 I (LC-12, UC-0.9) (Pass)', and another 'M2550 I (LC-12, UC-0.9) (Pass)'.

The screenshot shows a dialog box titled 'Export to Hilti Profis'. The dialog has a title bar with a question mark and a close button. The main content area is titled 'Select Base Plate Connection To Export:'. Below this title, there is a section header 'Col BP (Gravity) (WF)' followed by two list items, each with an unchecked checkbox: 'M2527 I (Single Column Base Plate)' and 'M2546 I (Single Column Base Plate)'. At the bottom of the dialog, there are three buttons: 'Select All', 'Export', and 'Cancel'.