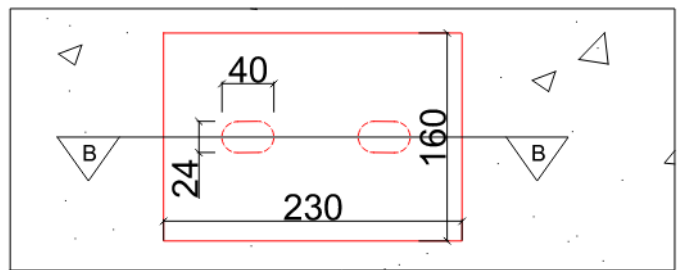
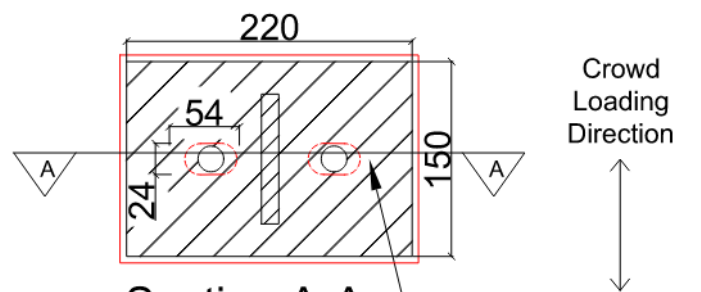


bolt fixing changed to epoxy stud fixing

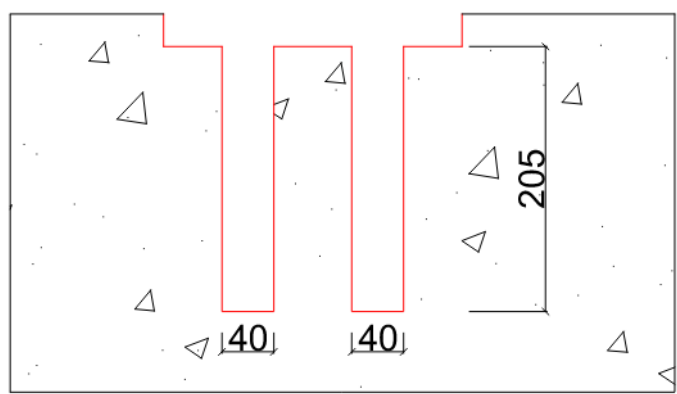
Concrete Cut Plan View



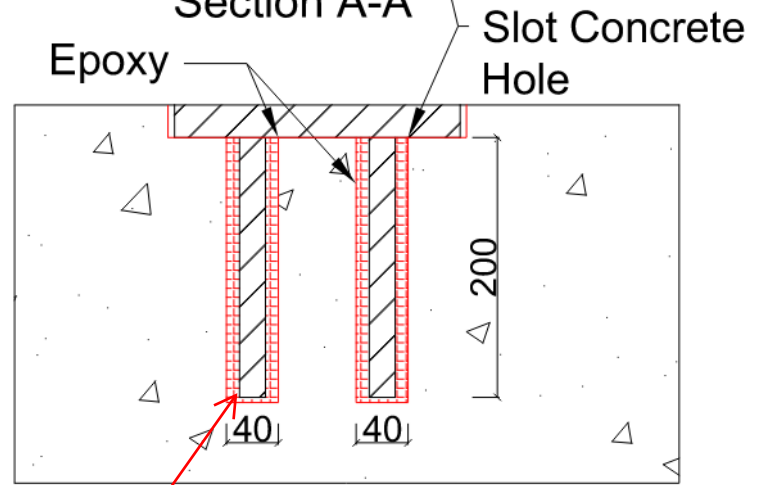
Base Plate Plan View



Section B-B



Section A-A



40x24 mm bolt holes needs to be drilled into the concrete to be able to install 18 20mm bolts in a row welded under stanchion balustrade.

Do any Hilti epoxy fix product allow this type of application