

**MULTIPLE PENETRATIONS THROUGH WOOD FLOOR/CEILING ASSEMBLY**

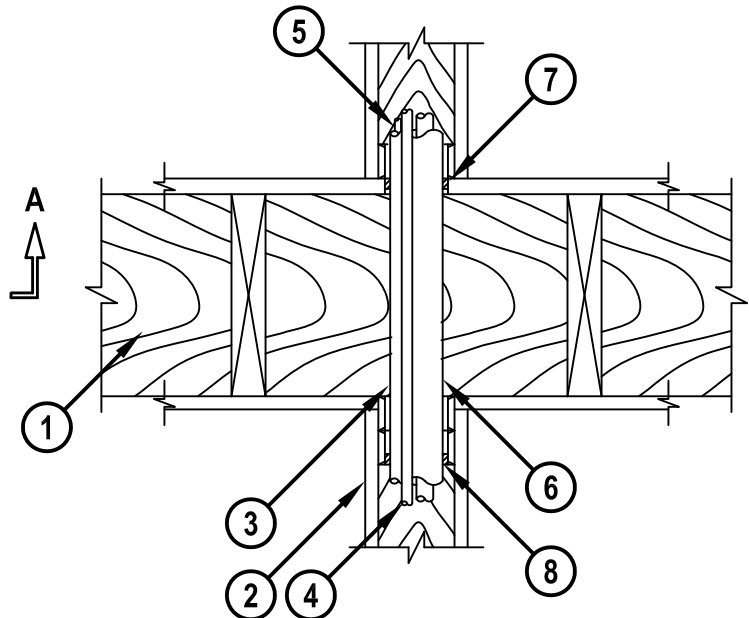
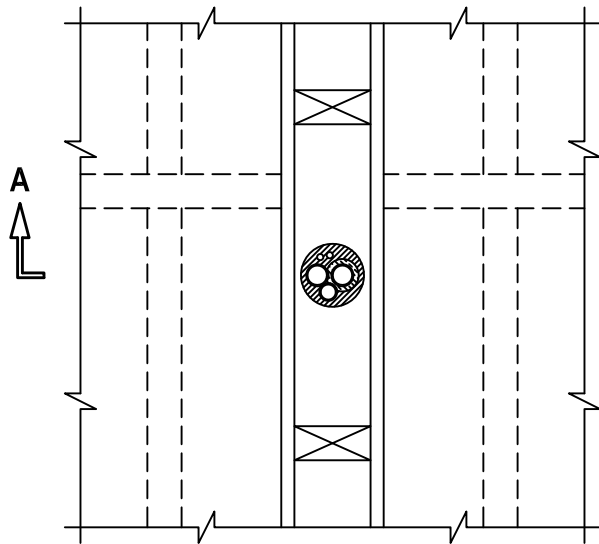
F-RATING = 1-HR.

T-RATING = 0-HR.

FC8014f.010815

**TOP VIEW**

**SECTION A-A**



1. WOOD FLOOR/CEILING ASSEMBLY (UL CLASSIFIED L500 SERIES) (1-HR. FIRE-RATING).
2. [OPTIONAL] GYPSUM WALL ASSEMBLY (UL CLASSIFIED U300 SERIES) (1-HR. FIRE-RATING) CONSISTING OF NOMINAL 2" x 6", OR PARALLEL 2" x 4" LUMBER PLATES TIGHTLY BUTTED AND STUDS.
3. METALLIC PIPE PENETRATIONS TO INCLUDE ANY OF THE FOLLOWING (MAX. QTY. = 2, ONE 3/4" DIAMETER AND ONE 1/2" DIAMETER) :
  - A. MAXIMUM 3/4" NOMINAL DIAMETER STEEL PIPE (SCHEDULE 5 OR THINNER).
  - B. MAXIMUM 3/4" NOMINAL DIAMETER COPPER PIPE.
  - C. MAXIMUM 3/4" NOMINAL DIAMETER STEEL CONDUIT.
  - D. MAXIMUM 3/4" NOMINAL DIAMETER EMT.
4. MAXIMUM 1/2" NOMINAL DIAMETER PVC/CPVC PLASTIC PIPE (MAX. QTY. = 1).
5. MAXIMUM 4/C NO. 18 AWG THERMOSTAT CABLE (MAX. QTY. = 2).
6. NOMINAL 1/2" THICK AB/PVC INSULATION MAY BE INSTALLED ON ONE METALLIC PIPE.
7. MINIMUM 3/4" DEPTH HILTI FS-ONE MAX OR FS-ONE INTUMESCENT FIRESTOP SEALANT FLUSH WITH TOP SURFACE OF FLOOR OR SOLE PLATE OF CHASE WALL.
8. MINIMUM 5/8" DEPTH HILTI FS-ONE MAX OR FS-ONE INTUMESCENT FIRESTOP SEALANT FLUSH WITH BOTTOM SURFACE OF CEILING OR LOWER TOP PLATE.

**NOTES :** 1. MAXIMUM DIAMETER OF OPENING = 3".  
 2. PIPES AND CABLES TO BE BUNDLED TOGETHER.  
 3. ANNULAR SPACE = MINIMUM 1/4", MAXIMUM 3/4".  
 4. PVC = SCH 40, SOLID CORE; CPVC = SDR 17.



HILTI, Inc.  
 Tulsa, Oklahoma USA (800) 879-8000

Sheet	1 of 1
Scale	7/64" = 1"
Date	Jan. 08, 2015

Drawing No.  
**FC 8014f**