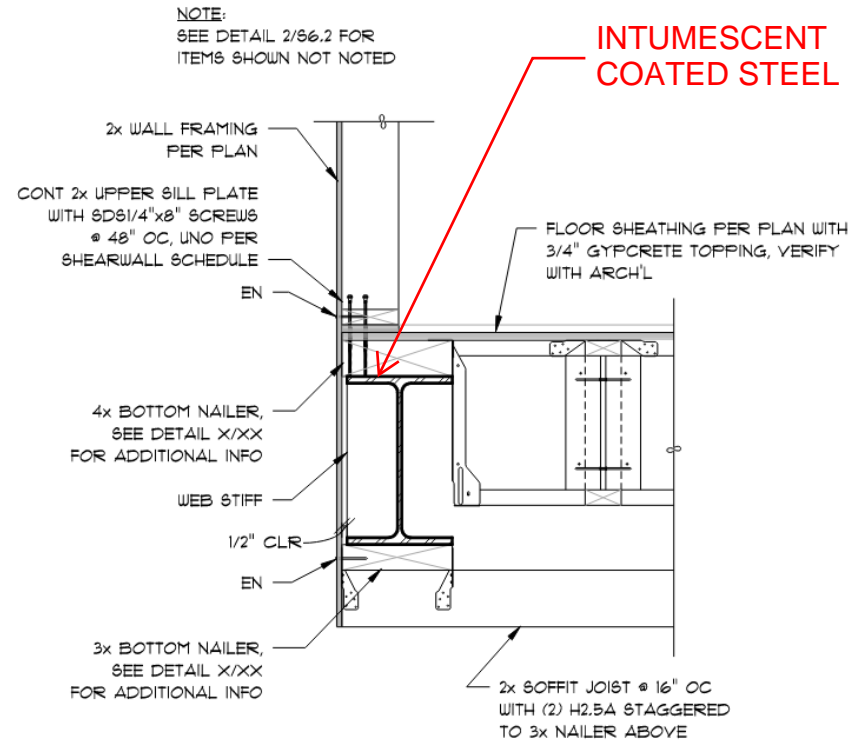


⑤ NAILER AT HSS COLUMN
1 1/2" = 1'-0"



⑬ WF BEAM AT END WALL
1" = 1'-0"