

UL SYSTEM NO. C-AJ-2109

PLASTIC PIPE THROUGH FLOOR/WALL OR BLOCK WALL ASSEMBLY

F-RATING = 2-HR. OR 3-HR.

T-RATING = 0-HR., 2-HR., OR 3-HR.

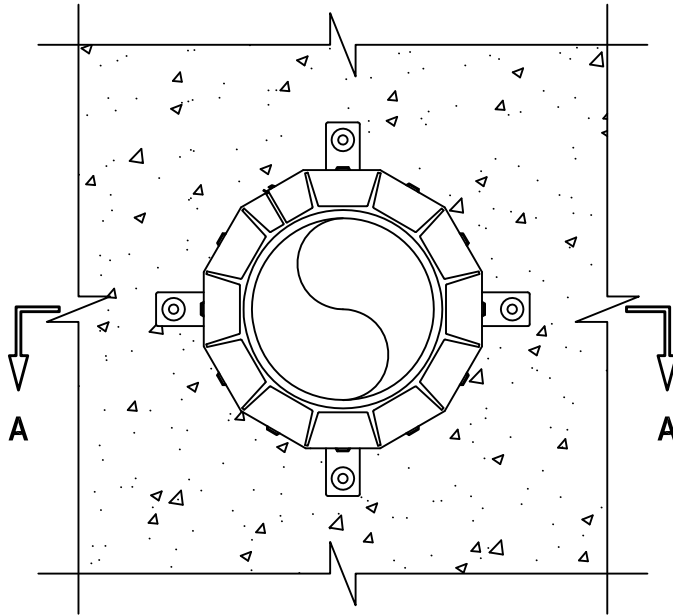
L-RATING AT AMBIENT = LESS THAN 1 CFM / SQ FT (SEE NOTE NO. 9 BELOW)

L-RATING AT 400°F = LESS THAN 1 CFM / SQ FT (SEE NOTE NO. 9 BELOW)

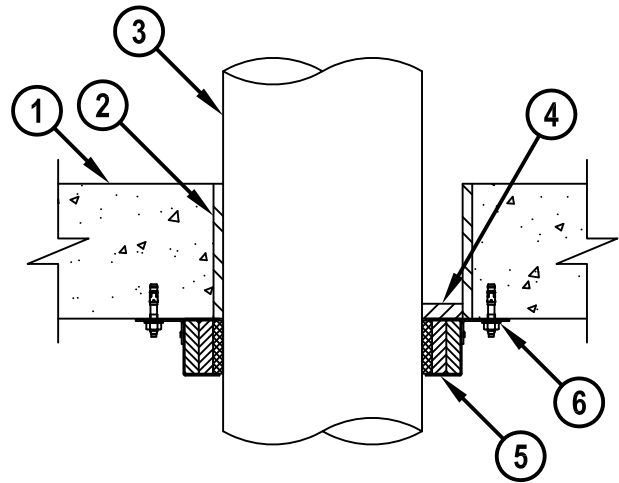
W-RATING = CLASS I (SEE NOTES NO. 7 AND 8 BELOW)

CAJ2109u.041316

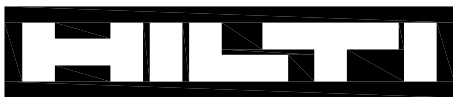
BOTTOM VIEW



SECTION A-A



1. CONCRETE FLOOR OR WALL ASSEMBLY (2-HR. OR 3-HR. FIRE-RATING) :
 - A. LIGHTWEIGHT OR NORMAL WEIGHT CONCRETE FLOOR OR WALL (MINIMUM 4-1/2" THICK).
 - B. ANY UL CLASSIFIED CONCRETE BLOCK WALL.
2. [OPTIONAL] MAXIMUM 12" NOMINAL DIAMETER STEEL PIPE SLEEVE (SCHEDULE 40 OR HEAVIER) MAY EXTEND MAXIMUM 3" ABOVE FLOOR.
3. PENETRATING ITEM TO BE ONE OF THE FOLLOWING (ALSO SEE NOTE NO. 3 BELOW) :
 - A. MAXIMUM 10" NOMINAL DIAMETER PVC PLASTIC PIPE (CELLULAR OR SOLID CORE).
 - B. MAXIMUM 10" NOMINAL DIAMETER CPVC PLASTIC PIPE (CLOSED PIPING SYSTEM ONLY).
 - C. MAXIMUM 6" NOMINAL DIAMETER ABS PLASTIC PIPE (CELLULAR OR SOLID CORE).
 - D. MAXIMUM 6" NOMINAL DIAMETER FRPP PLASTIC PIPE.
4. MINIMUM 1/2" DEPTH HILTI FS-ONE MAX INTUMESCENT FIRESTOP SEALANT, HILTI CFS-S SIL GG FIRESTOP SILICONE SEALANT, OR HILTI CFS-S SIL SL FIRESTOP SILICONE SEALANT INSTALLED FLUSH WITH TOP OR BOTTOM SURFACE OF FLOOR.



Hilti Firestop Systems

HILTI, Inc.
Plano, Texas USA (800) 879-8000

Sheet 1 of 2

Scale 5/32" = 1"

Date Apr. 13, 2016

Drawing No.

**CAJ
2109u**

Saving Lives through Innovation and Education

UL SYSTEM NO. C-AJ-2109

PLASTIC PIPE THROUGH FLOOR/WALL OR BLOCK WALL ASSEMBLY

F-RATING = 2-HR. OR 3-HR.

T-RATING = 0-HR., 2-HR., OR 3-HR.

L-RATING AT AMBIENT = LESS THAN 1 CFM / SQ FT (SEE NOTE NO. 9 BELOW)

L-RATING AT 400°F = LESS THAN 1 CFM / SQ FT (SEE NOTE NO. 9 BELOW)

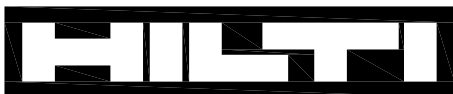
W-RATING = CLASS I (SEE NOTES NO. 7 AND 8 BELOW)

CAJ2109u.041316

- 5. HILTI CP 643N OR CP 644 FIRESTOP COLLAR WITH FASTENING HOOKS (SEE TABLE BELOW).
- 6. EACH FASTENING HOOK SECURED TO BOTTOM OF FLOOR WITH 1/4" x 1-1/4" LONG STEEL EXPANSION BOLTS, MIN. 0.145" x 1-1/4" POWDER ACTUATED FASTENERS WITH 1-7/16" DIAMETER STEEL WASHER, 1/4" x 1-1/4" HILTI KWIK-CON II+ CONCRETE SCREW ANCHOR, 1/4" x 1-3/4" HILTI KWIK-BOLT 3 STEEL EXPANSION ANCHOR, OR HILTI X-DNI 27 P8 S15 POWDER ACTUATED FASTENER WITH INTEGRATED WASHER.

NOMINAL PIPE DIAMETER	PRODUCT DESCRIPTION	F-RATING
1-1/2"	CP 643 50/1.5" N	3
2"	CP 643 63/2" N	3
3"	CP 643 90/3" N	3
4"	CP 643 110/4" N	3
6"	CP 643 160/6" N	3
8"	CP 644 200/8"	2
10"	CP 644 250/10"	2

- NOTES :
1. HILTI FIRESTOP COLLARS, HILTI FS-ONE MAX INTUMESCENT FIRESTOP SEALANT OR HILTI CFS-S SIL GG FIRESTOP SILICONE SEALANT ARE REQUIRED ON BOTH SIDES OF A WALL ASSEMBLY.
 2. MAXIMUM DIAMETER OF OPENING = 12".
 3. ANNULAR SPACE ON PIPES NOMINAL 6" AND SMALLER = MINIMUM 0", MAXIMUM 1/2".
 4. ANNULAR SPACE ON PIPES LARGER THAN NOMINAL 6" = MINIMUM 0", MAXIMUM 1-1/4".
 5. CLOSED OR VENTED PIPING SYSTEM (PVC, ABS, & FRPP = SCHEDULE 40, CPVC = SDR 13.5).
 6. HILTI FIRESTOP SEALANT IS OPTIONAL ON PIPES HAVING A MAXIMUM DIAMETER OF NOMINAL 6" INSTALLED IN UNSLEEVED OPENINGS.
 7. W-RATING DOES NOT APPLY IN SLEEVED OPENINGS.
 8. W-RATING APPLIES ONLY WHEN ANNULAR SPACE IS MINIMUM 0", MAXIMUM 1/2", AND HILTI CFS-S SIL GG FIRESTOP SILICONE SEALANT OR HILTI CFS-S SIL SL FIRESTOP SILICONE SEALANT IS USED.
 9. L-RATING APPLIES ONLY WHEN HILTI CFS-S SIL GG FIRESTOP SILICONE SEALANT OR HILTI CFS-S SIL SL FIRESTOP SILICONE SEALANT IS USED.
 10. WHEN HILTI CFS-S SIL SL FIRESTOP SILICONE SEALANT IS USED, A MINIMUM 1/2" THICKNESS OF MINERAL WOOL (MIN. 4 PCF DENSITY) TIGHTLY PACKED IS TO BE INSTALLED WITHIN THE ANNULAR SPACE AND RECESSED FROM THE TOP SURFACE OF CONCRETE FLOOR TO ACCOMMODATE SEALANT.



Hilti Firestop Systems

HILTI, Inc.
Plano, Texas USA (800) 879-8000

Sheet	2 of 2
Scale	-
Date	Apr. 13, 2016

Drawing No.

**CAJ
2109u**

Saving Lives through Innovation and Education