

UL SYSTEM NO. F-C-2335

# PLASTIC PIPE THROUGH WOOD FLOOR/CEILING ASSEMBLY

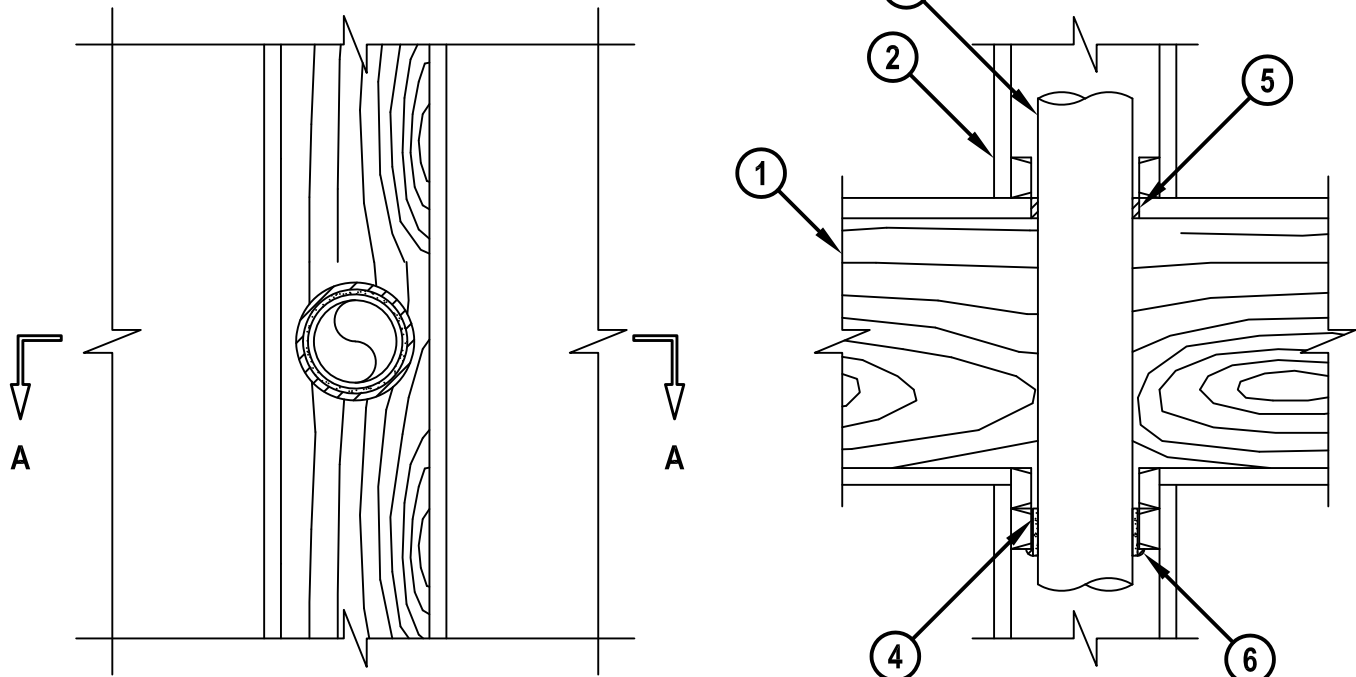
F-RATING = 1-HR.

T-RATING = 0-HR. OR 1/2-HR.

FC2335e.040518

**BOTTOM VIEW**

**SECTION A-A**



1. WOOD FLOOR/CEILING ASSEMBLY (UL CLASSIFIED L500 SERIES) (1-HR. FIRE-RATING).
2. [OPTIONAL] FIRE-RATED OR NON-RATED SINGLE, DOUBLE, OR STAGGERED WOOD STUD/GYPSUM CHASE WALL CONSISTING OF NOMINAL 2" x 6", OR PARALLEL 2" x 4" LUMBER PLATES AND STUDS.
3. PENETRATING ITEM TO BE ONE OF THE FOLLOWING (SEE NOTE NO. 3 BELOW) :
  - A. MAXIMUM 3" NOMINAL DIAMETER PVC PLASTIC PIPE (CELLULAR OR SOLID CORE).
  - B. MAXIMUM 3" NOMINAL DIAMETER CPVC PLASTIC PIPE.
  - C. MAXIMUM 3" NOMINAL DIAMETER ABS PLASTIC PIPE (CELLULAR OR SOLID CORE).
  - D. MAXIMUM 3" NOMINAL DIAMETER RIGID NONMETALLIC CONDUIT (RNC).
4. HILTI CP 648S WRAP STRIP WRAPPED CONTINUOUSLY AROUND THE CIRCUMFERENCE OF PIPE OR CONDUIT AND SECURED IN PLACE WITH INTEGRATED FASTENING TAPE, SUCH THAT THE WRAP STRIP PROTRUDES 1/4" FROM BOTTOM OF GYPSUM CEILING OR TOP PLATE.
5. MINIMUM 3/4" DEPTH HILTI FS-ONE MAX INTUMESCENT FIRESTOP SEALANT FLUSH WITH TOP SURFACE OF FLOOR OR TOP SURFACE OF SOLE PLATE.
6. MINIMUM 1/4" BEAD HILTI FS-ONE MAX INTUMESCENT FIRESTOP SEALANT APPLIED AT WRAP STRIP/GYPSUM BOARD INTERFACE OR AT THE UNDERSIDE OF THE TOP PLATE.

NOTES : 1. MAXIMUM DIAMETER OF OPENING = 4".

2. ANNULAR SPACE = MINIMUM 3/16", MAXIMUM 5/16".

3. CLOSED OR VENTED PIPING SYSTEM (PVC, ABS = SCHEDULE 40; CPVC = SDR 13.5).



**Hilti Firestop Systems**

HILTI, Inc.  
Plano, Texas USA (800) 879-8000

Sheet 1 of 1

Scale 9/64" = 1"

Date Apr. 05, 2018

Drawing No.

**FC  
2335e**

*Saving Lives through Innovation and Education*