

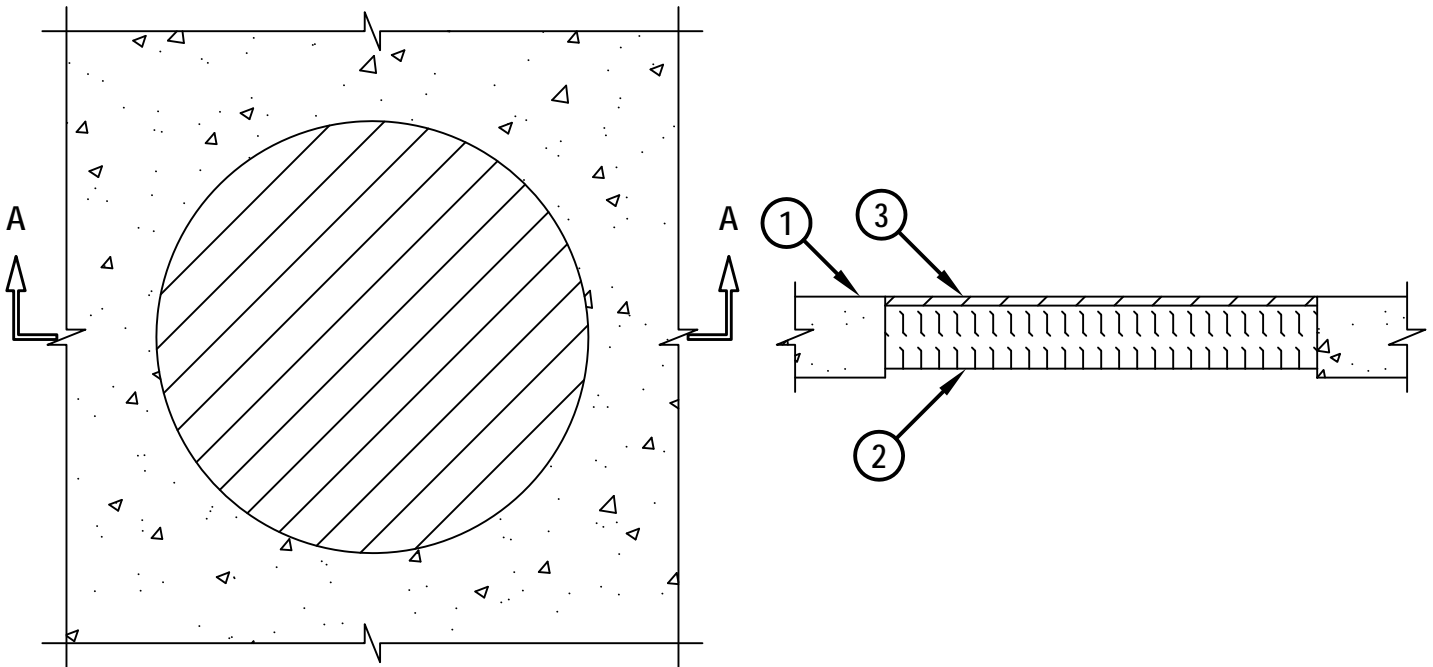
BLANK OPENING THROUGH CONCRETE FLOOR/WALL OR BLOCK WALL ASSEMBLY

F-RATING = 2-HR.
T-RATING = 0-HR.

CAJ0141a.010914

TOP VIEW

SECTION A-A



1. CONCRETE FLOOR OR WALL ASSEMBLY (2-HR. FIRE-RATING) :
 - A. LIGHTWEIGHT OR NORMAL WEIGHT CONCRETE FLOOR OR WALL (MINIMUM 4-1/2" THICK).
 - B. ANY UL/cUL CLASSIFIED CONCRETE BLOCK WALL.
2. MINIMUM 3-1/2" THICKNESS MINERAL WOOL SAFING (MIN. 4 PCF DENSITY) TIGHTLY PACKED.
3. MINIMUM 1/2" DEPTH HILTI CFS-S SILL GG FIRESTOP SILICONE SEALANT OR HILTI CFS-S SIL SL FIRESTOP SILICONE SEALANT (FLOORS ONLY).

NOTES : 1. MAXIMUM DIAMETER OF OPENING = 24".
2. MINIMUM 1/2" DEPTH HILTI CFS-S SIL GG FIRESTOP SILICONE SEALANT IS REQUIRED ON EACH SIDE OF A WALL.



HILTI, Inc.
Tulsa, Oklahoma USA (800) 879-8000

Sheet	1 of 1
Scale	3/32" = 1"
Date	Jan. 09, 2014

Drawing No.
**CAJ
0141a**