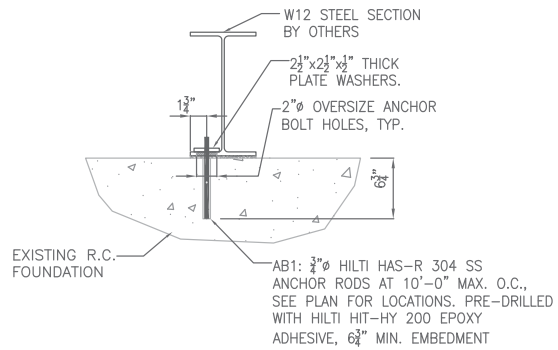


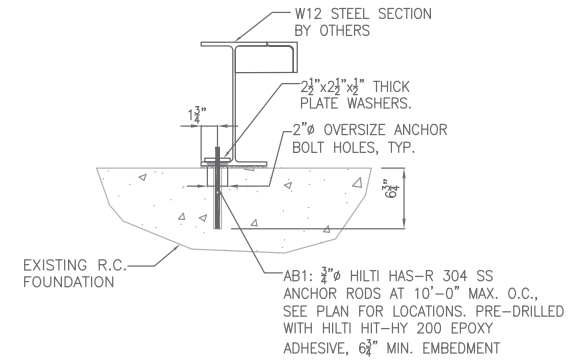
1-1 BASE FRAME ANCHOR LAYOUT - PLAN  
2

NOTE:

1. ALL BASE FRAME STEELWORK BY OTHERS
2. LOCATING AND INSTALLATION OF BASE STEEL FRAME BY PRE-FAB BUILDING CONTRACTOR.



1 SECTION 2



2 SECTION 2

NO.	REVISION	DATE	BY:	POLETTI 500MW COMBINED CYCLE PLANT ASTORIA, NEW YORK	DEAN ENERGY SOLUTIONS 1332 Clinton Street Hoboken, NJ 07030	SCALE: NTS DWN. BY: R.A. DATE: 11-14-2017
1	NOTED AS $\Delta$	12-20-17	RA	TANK FIRE FARM SUPPRESSION SYSTEM FIRE SUPPRESSION BUILDING BASE STEEL FRAME ANCHORING LAYOUT AND DETAILS	MACAN DEVE Engineers, DPC 445 Hamilton Ave., suite 1102 White Plains, NY 10601	DRAWING NO. S-100
2	NOTED AS $\Delta$	4-24-18	RA			