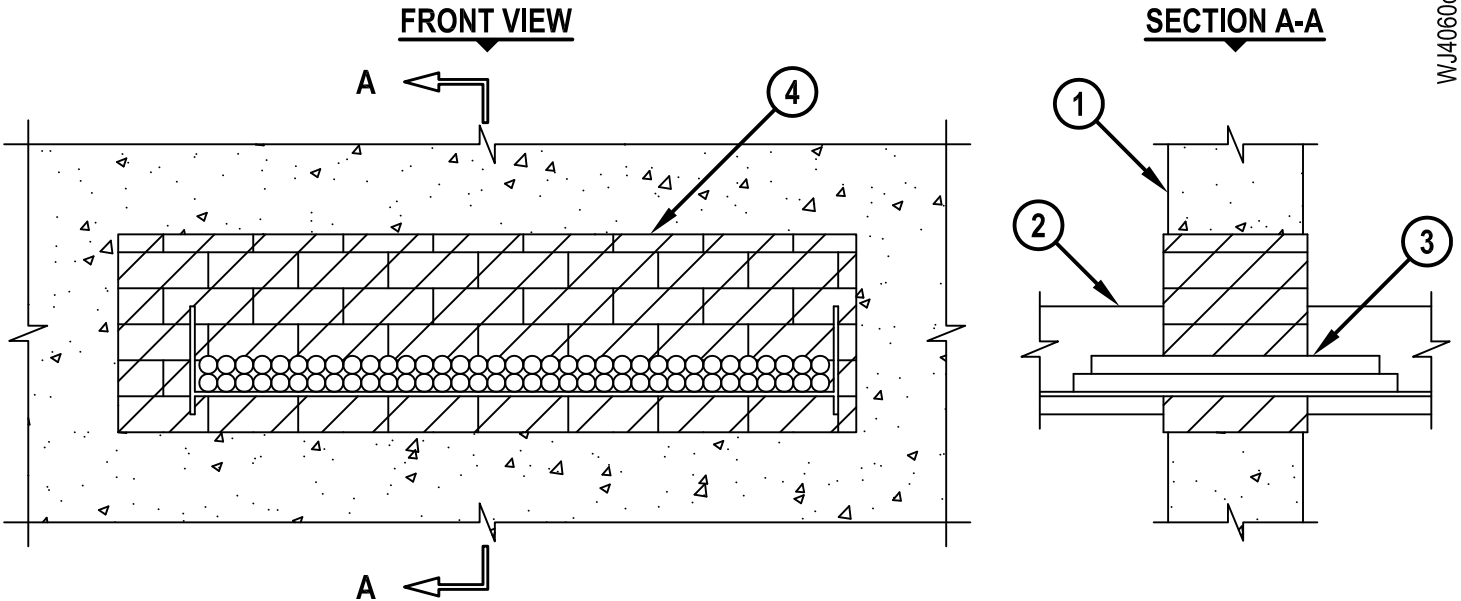


CABLE TRAY THROUGH CONCRETE WALL OR BLOCK WALL ASSEMBLY

F-RATING = 4-HR.

T-RATING = 0-HR.

WJ4060c.010915



1. CONCRETE WALL ASSEMBLY (4-HR. FIRE-RATING) :
 - A. LIGHTWEIGHT OR NORMAL WEIGHT CONCRETE WALL (MINIMUM 7-1/2" THICK).
 - B. ANY UL/cUL CLASSIFIED CONCRETE BLOCK WALL (MINIMUM 7-5/8" THICK).
2. MAXIMUM 36" WIDE x 6" DEEP ALUMINUM OPEN LADDER CABLE TRAY.
3. CABLES TO BE ANY COMBINATION OF THE FOLLOWING :
 - A. MAXIMUM 300 PAIR NO. 24 AWG TELEPHONE CABLE WITH PVC JACKET.
 - B. MAXIMUM 1/C NO. 500 KCMIL POWER CABLE WITH NYLON JACKET.
 - C. MAXIMUM 24 FIBER-OPTIC CABLE WITH PVC JACKET.
 - D. MAXIMUM 2/C NO. 12 AWG POWER CABLE WITH PVC JACKET.
4. HILTI CFS-BL FIRESTOP BLOCK OR HILTI FS 657 FIRE BLOCK (2" THICK, 5" WIDE, 8" DEEP, REFERENCE : FRONT VIEW) FIRMLY PACKED WITHIN OPENING. EITHER ONE OR A COMBINATION OF BLOCK TYPES MAY BE USED.

NOTES : 1. MAXIMUM AREA OF OPENING = 451 SQ. IN., WITH A MAXIMUM DIMENSION OF 41".
 2. ANNULAR SPACE = MINIMUM 1", MAXIMUM 4".
 3. CABLES TO FILL MAXIMUM 40% OF CROSS-SECTIONAL AREA OF CABLE TRAY.
 4. APPLY HILTI FS-ONE MAX OR FS-ONE INTUMESCENT FIRESTOP SEALANT OR HILTI CP 618 FIRESTOP PUTTY STICK INTO INTERSTICES OF CABLES, BETWEEN CABLES AND CABLE TRAY, AND INTO VOIDS TO MAXIMUM EXTENT POSSIBLE.



HILTI, Inc.
 Tulsa, Oklahoma USA (800) 879-8000

Sheet	1 of 1
Scale	3/32" = 1"
Date	Jan. 09, 2015

Drawing No.
WJ
4060c