

SHOP DRAWINGS

31 Glen Ridge Rd Greenwich CT

THIRD SUBMITTAL

SKYLIGHT AND GLASS STAIR RAILINGS

4/3/2024

PROJECT INFORMATION:
31 Glen Ridge Rd
Greenwich CT


DATE	SUBMISSION
3/12/2024	FIRST SUBMITTAL
3/27/2024	SECOND SUBMITTAL
4/3/2024	THIRD SUBMITTAL

- GENERAL NOTES:
1. ALL DIMENSIONS ARE BOTH IN SI (mm) AND IP (ft - in). UNLESS NOTED, ALL DIMENSIONS TO BE VERIFIED ON SITE AND APPROVED BY THE ENGINEERS.
 2. DO NOT SCALE FROM DRAWING
 3. ALL ALUMINUM PROFILES ARE FROM EVEREST SYSTEMS
 4. ALL ALUMINUM PROFILES WILL BE POWDER COATED AS PER APPROVED COLOR



EVEREST USA CORP.
208 HUYLER ST, SOUTH
HACKENSACK, NJ 07606
info@everest.ai

DRAWN BY :
ANDREW BASTOUROS

CHECKED BY :
 ERI SPAHIU

DRAWING SCALE :

DRAWING TITLE :

DRAWING NO :
COVER

SUBMISSION DATE (YY/MM/DD):
2024/03/27

PRINTING DATE / TIME :
4/3/2024 2:02:15 PM

PROJECT INFORMATION:
31 Glen Ridge Rd
Greenwich CT

DATE	SUBMISSION
3/12/2024	FIRST SUBMITTAL
3/27/2024	SECOND SUBMITTAL

- GENERAL NOTES:
- ALL DIMENSIONS ARE BOTH IN SI (mm) AND IP (ft - in). UNLESS NOTED, ALL DIMENSIONS TO BE VERIFIED ON SITE AND APPROVED BY THE ENGINEERS.
 - DO NOT SCALE FROM DRAWING
 - ALL ALUMINUM PROFILES ARE FROM EVEREST SYSTEMS
 - ALL ALUMINUM PROFILES WILL BE POWDER COATED AS PER APPROVED COLOR



EVEREST USA CORP.
208 HUYLER ST, SOUTH
HACKENSACK, NJ 07606
info@everest.al

DRAWN BY :
ANDREW BASTOUROS

CHECKED BY :
 ERI SPAHIU

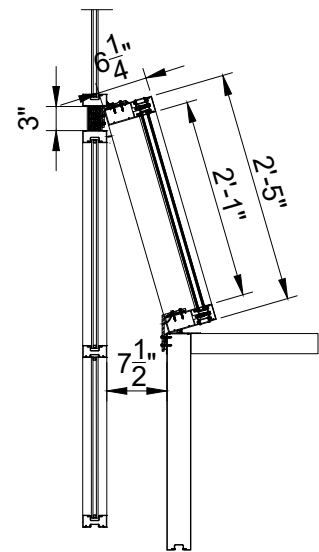
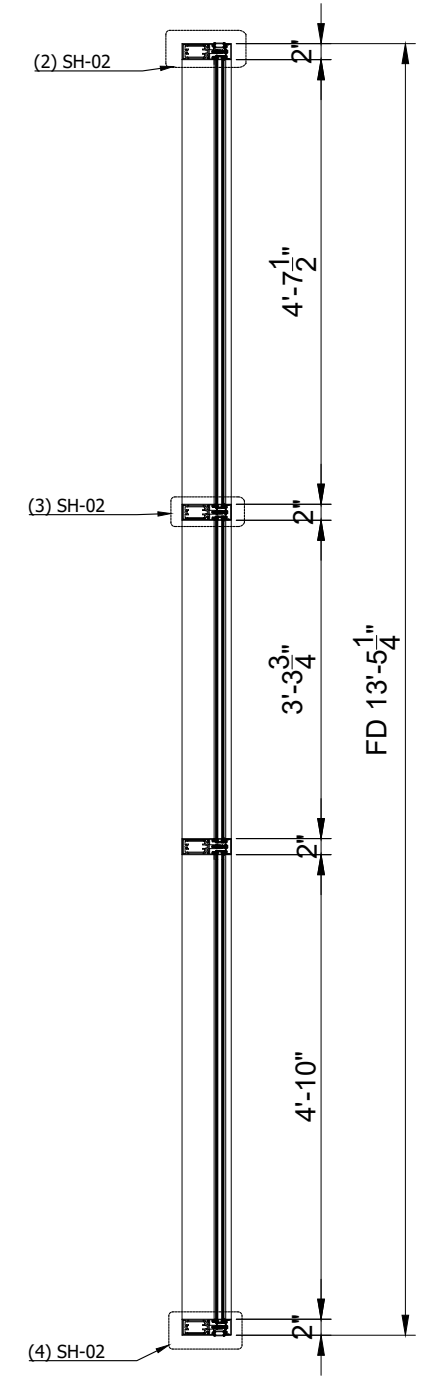
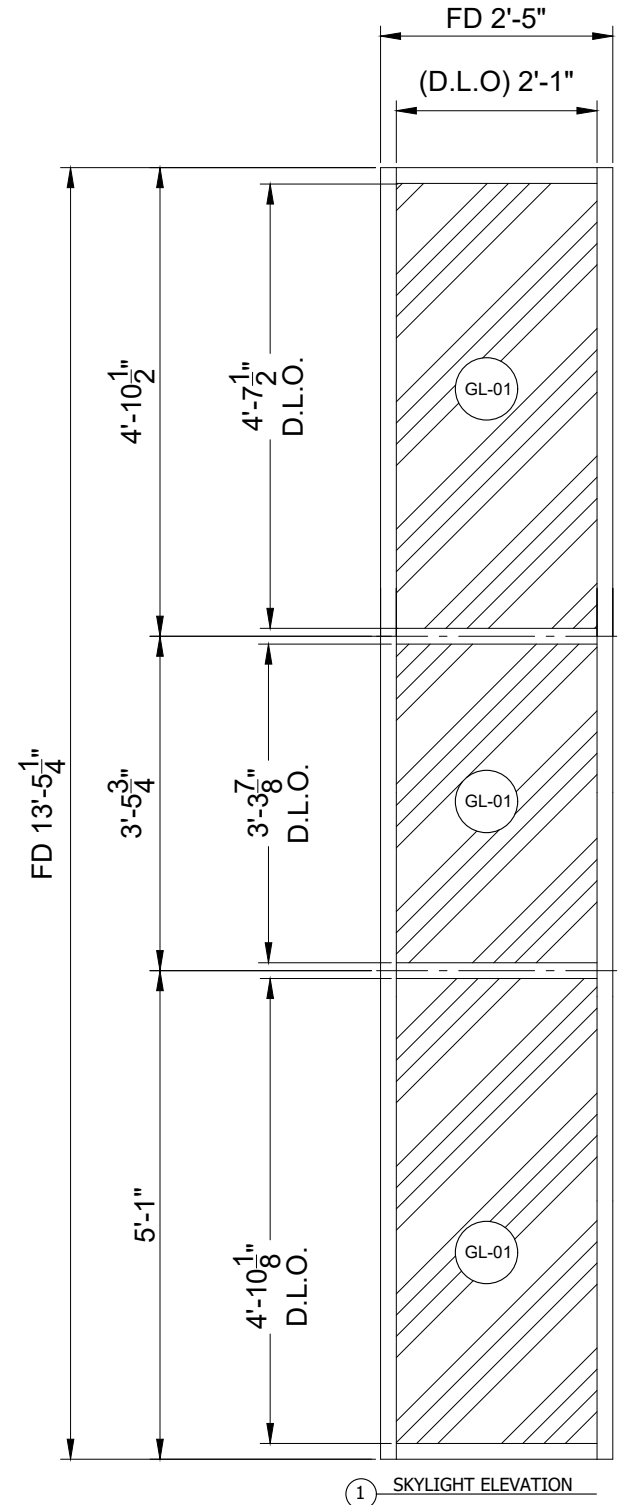
DRAWING SCALE :

DRAWING TITLE :

DRAWING NO :
SH-01

SUBMISSION DATE (YY/MM/DD):
2024/03/27

PRINTING DATE / TIME :
4/3/2024 2:02:39 PM



DATE	SUBMISSION
3/12/2024	FIRST SUBMITTAL
3/27/2024	SECOND SUBMITTAL

- GENERAL NOTES:
- ALL DIMENSIONS ARE BOTH IN SI (mm) AND IP (ft - in). UNLESS NOTED, ALL DIMENSIONS TO BE VERIFIED ON SITE AND APPROVED BY THE ENGINEERS.
 - DO NOT SCALE FROM DRAWING
 - ALL ALUMINUM PROFILES ARE FROM EVEREST SYSTEMS
 - ALL ALUMINUM PROFILES WILL BE POWDER COATED AS PER APPROVED COLOR



EVEREST USA CORP.
208 HUYLER ST, SOUTH HACKENSACK, NJ 07606
info@everest.ai

DRAWN BY:
ANDREW BASTOUROS

CHECKED BY:
 ERI SPAHIU

DRAWING SCALE :

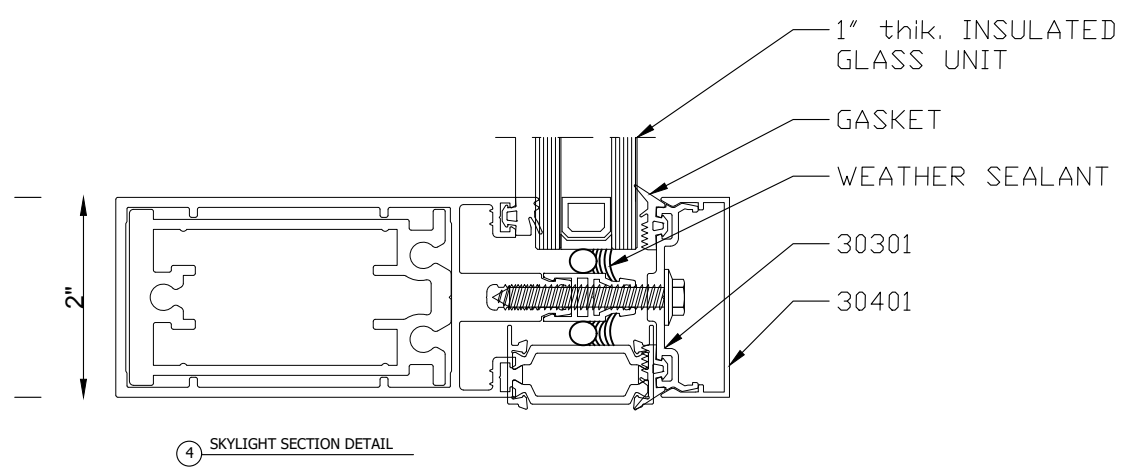
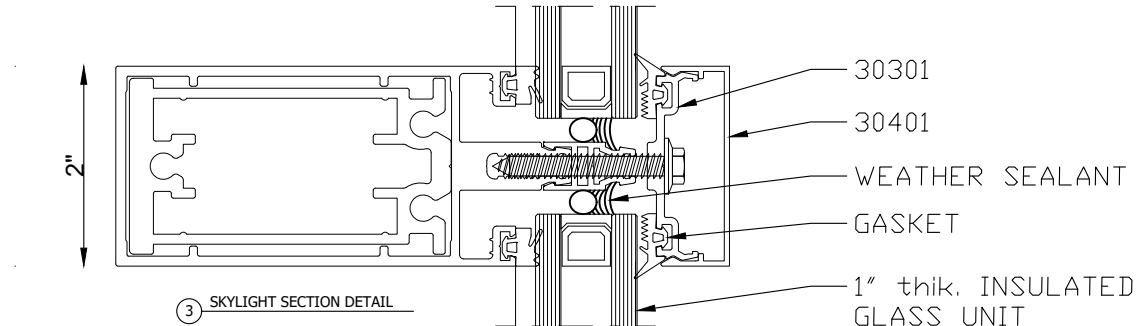
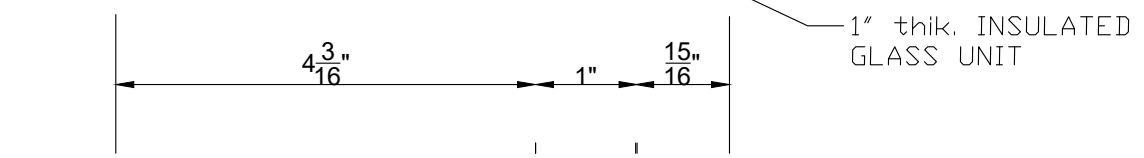
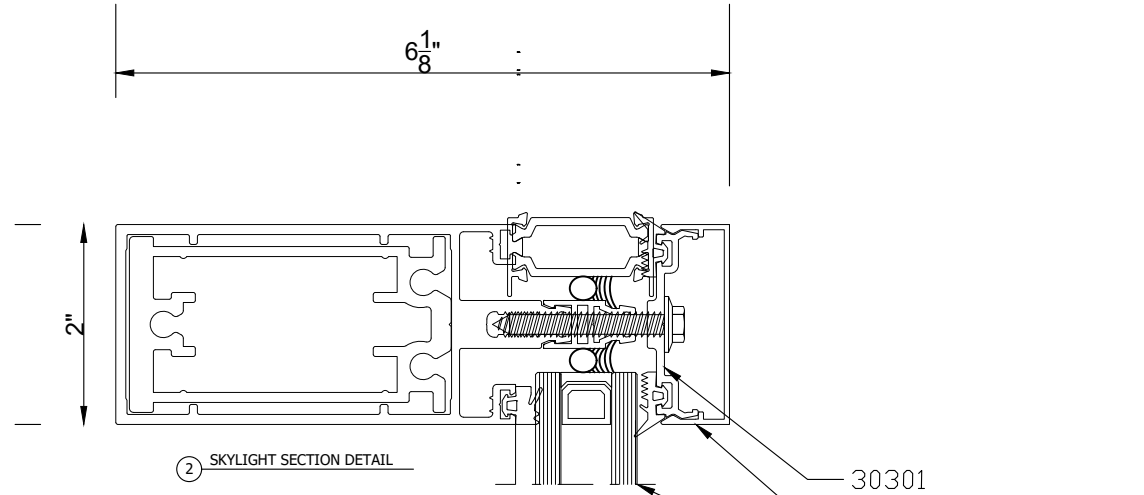
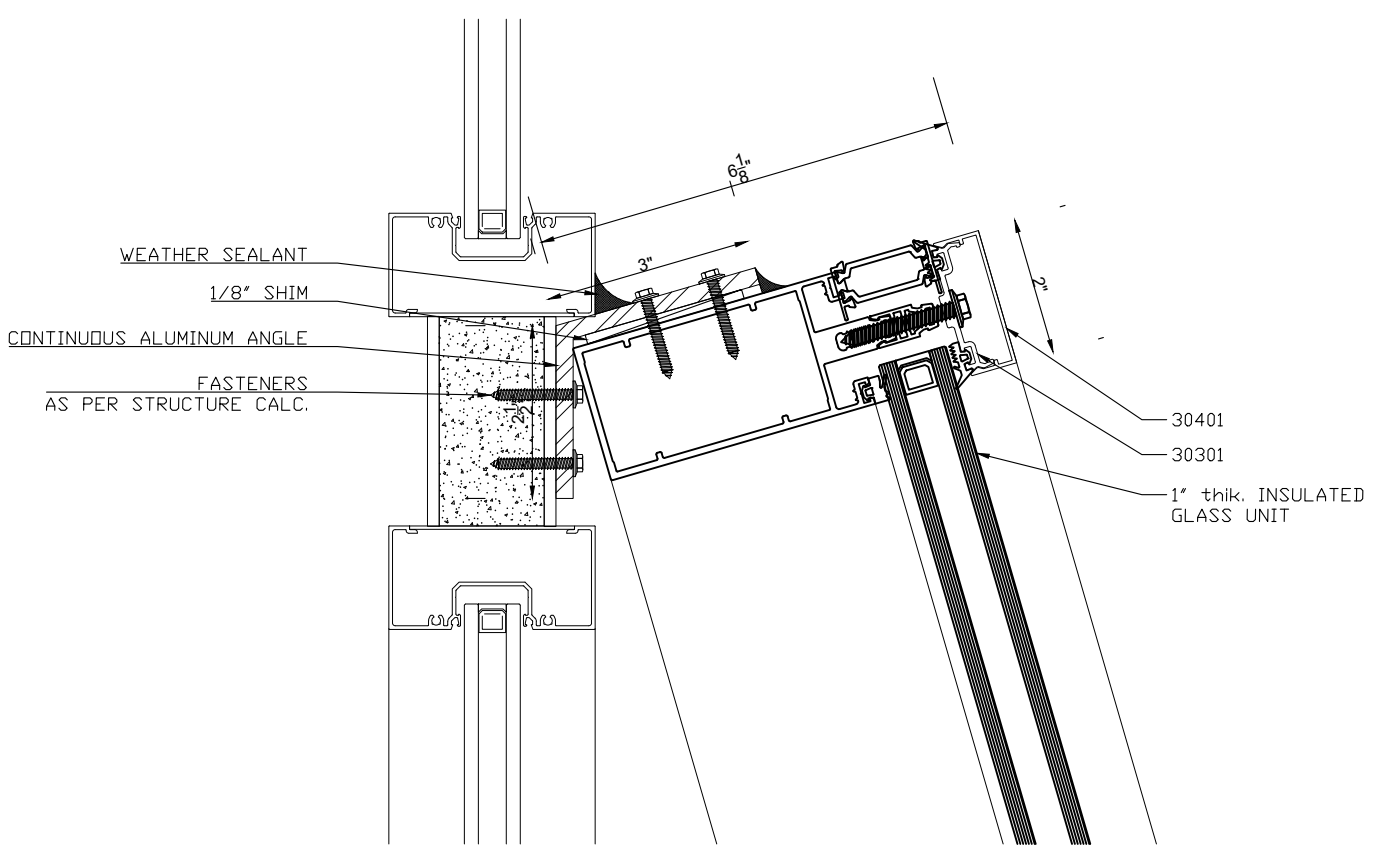
DRAWING TITLE :

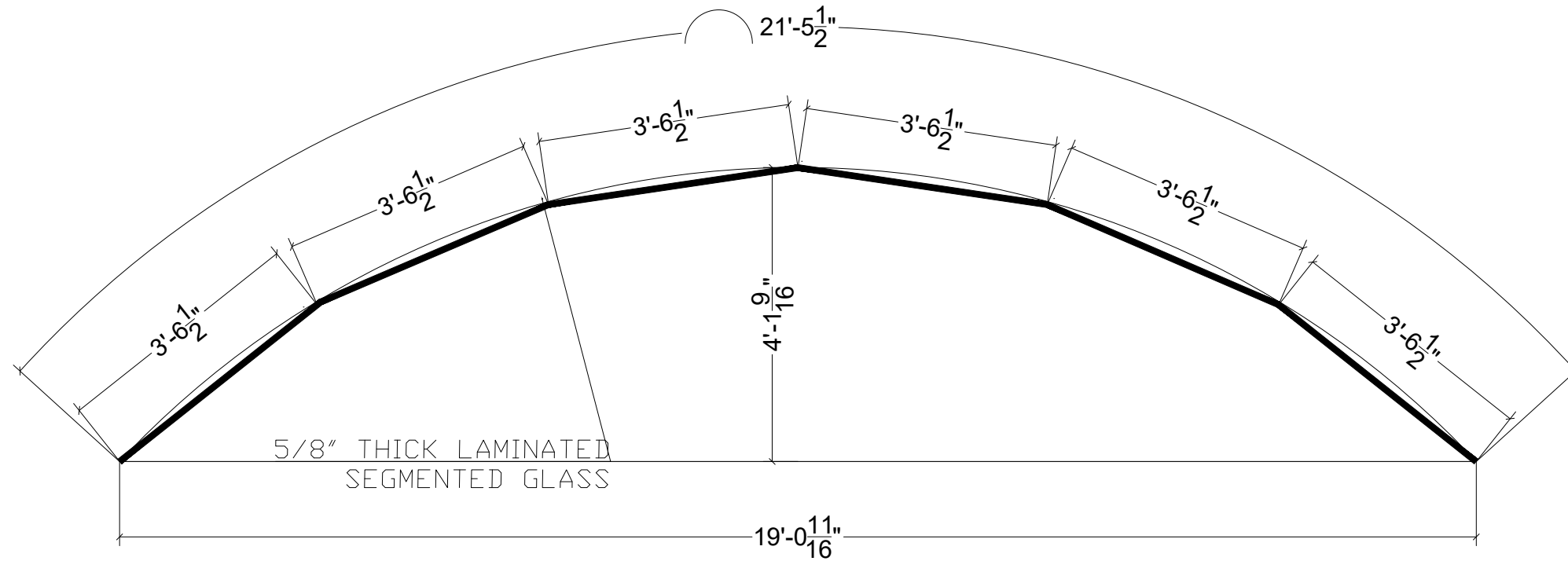
DRAWING NO :
SH-02

SUBMISSION DATE (YY/MM/DD):

2024/03/27

PRINTING DATE / TIME :
4/3/2024 2:03:26 PM

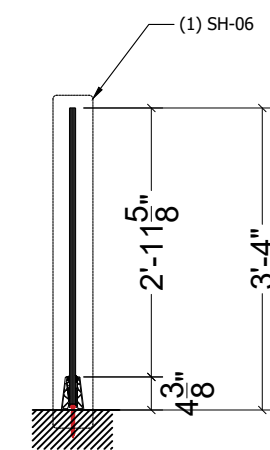




1 GLASS RAIL PLAN VIEW
OPTION (2) - 6 GLASS PIECES



2 GLASS RAIL ELEVATION
OPTION (2) - 6 GLASS PIECES



3 GLASS RAIL SECTION

PROJECT INFORMATION
31 Glen Ridge Rd
Greenwich CT

DATE	SUBMISSION
3/12/2024	FIRST SUBMITTAL
3/27/2024	SECOND SUBMITTAL

GENERAL NOTES:

1. ALL DIMENSIONS ARE BOTH IN SI (mm) AND IP (ft - in). UNLESS NOTED, ALL DIMENSIONS TO BE VERIFIED ON SITE AND APPROVED BY THE ENGINEERS.
2. DO NOT SCALE FROM DRAWING
3. ALL ALUMINUM PROFILES ARE FROM EVEREST SYSTEMS
4. ALL ALUMINUM PROFILES WILL BE POWDER COATED AS PER APPROVED COLOR

DRAWINGS / MANUFACTURING :



EVEREST USA CORP.
208 HUYLER ST, SOUTH
HACKENSACK, NJ 07606
info@everest.ai

DRAWN BY :
ANDREW BASTOUROS

CHECKED BY :
 ERI SPAHIU

DRAWING SCALE :

DRAWING TITLE :

DRAWING NO :
SH-03

SUBMISSION DATE (YY/MM/DD):

2024/03/27

PRINTING DATE / TIME :

4/3/2024 2:03:51 PM

DATE	SUBMISSION
3/12/2024	FIRST SUBMITTAL
3/27/2024	SECOND SUBMITTAL

- GENERAL NOTES:
1. ALL DIMENSIONS ARE BOTH IN SI (mm) AND IP (ft - in). UNLESS NOTED, ALL DIMENSIONS TO BE VERIFIED ON SITE AND APPROVED BY THE ENGINEERS.
 2. DO NOT SCALE FROM DRAWING
 3. ALL ALUMINUM PROFILES ARE FROM EVEREST SYSTEMS
 4. ALL ALUMINUM PROFILES WILL BE POWDER COATED AS PER APPROVED COLOR

DRAWINGS / MANUFACTURING :



EVEREST USA CORP.
 208 HUYLER ST, SOUTH
 HACKENSACK, NJ 07606
 info@everest.al

DRAWN BY :
 ANDREW BASTOUROS

CHECKED BY :
 ERI SPAHIU

DRAWING SCALE :

DRAWING TITLE :

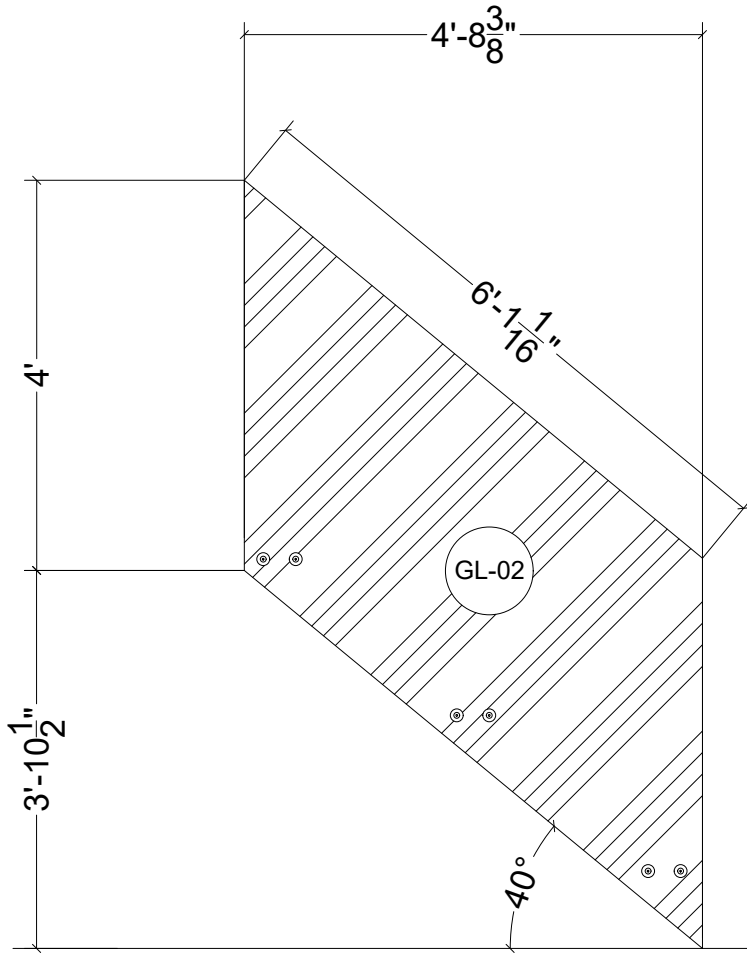
DRAWING NO :
SH-04

SUBMISSION DATE (YY/MM/DD):

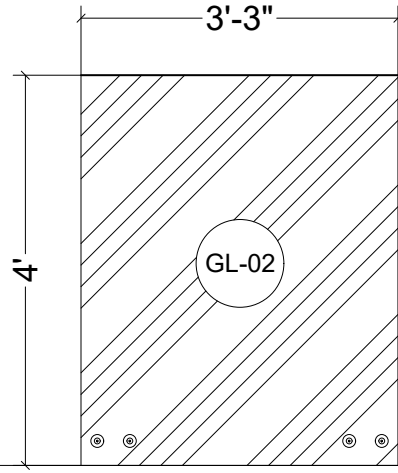
2024/03/27

PRINTING DATE / TIME :

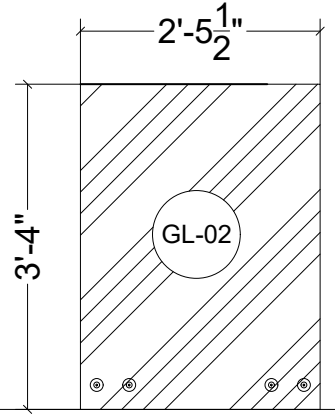
4/3/2024 2:04:07 PM



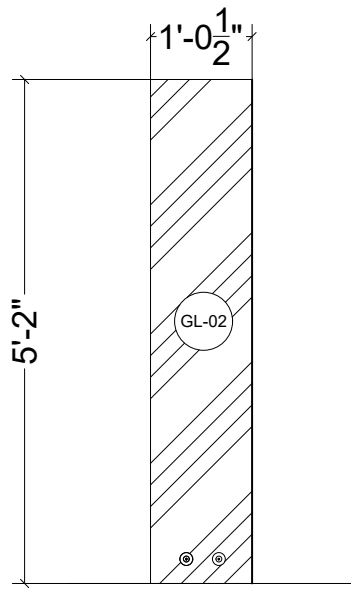
1 GLASS RAIL ELEVATION



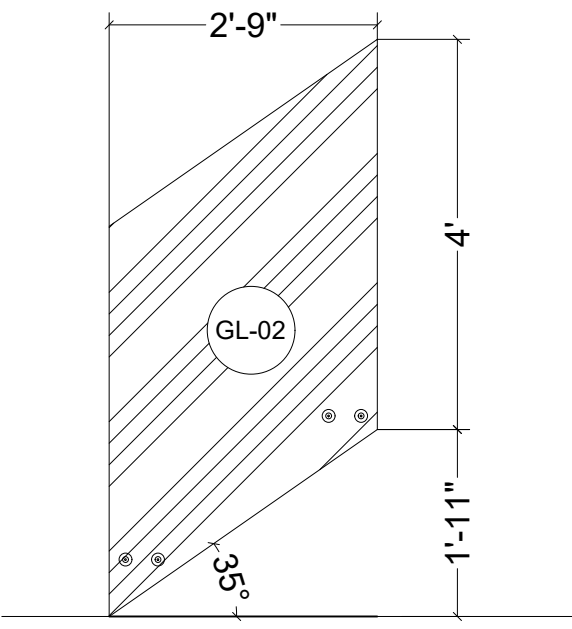
2 GLASS RAIL ELEVATION



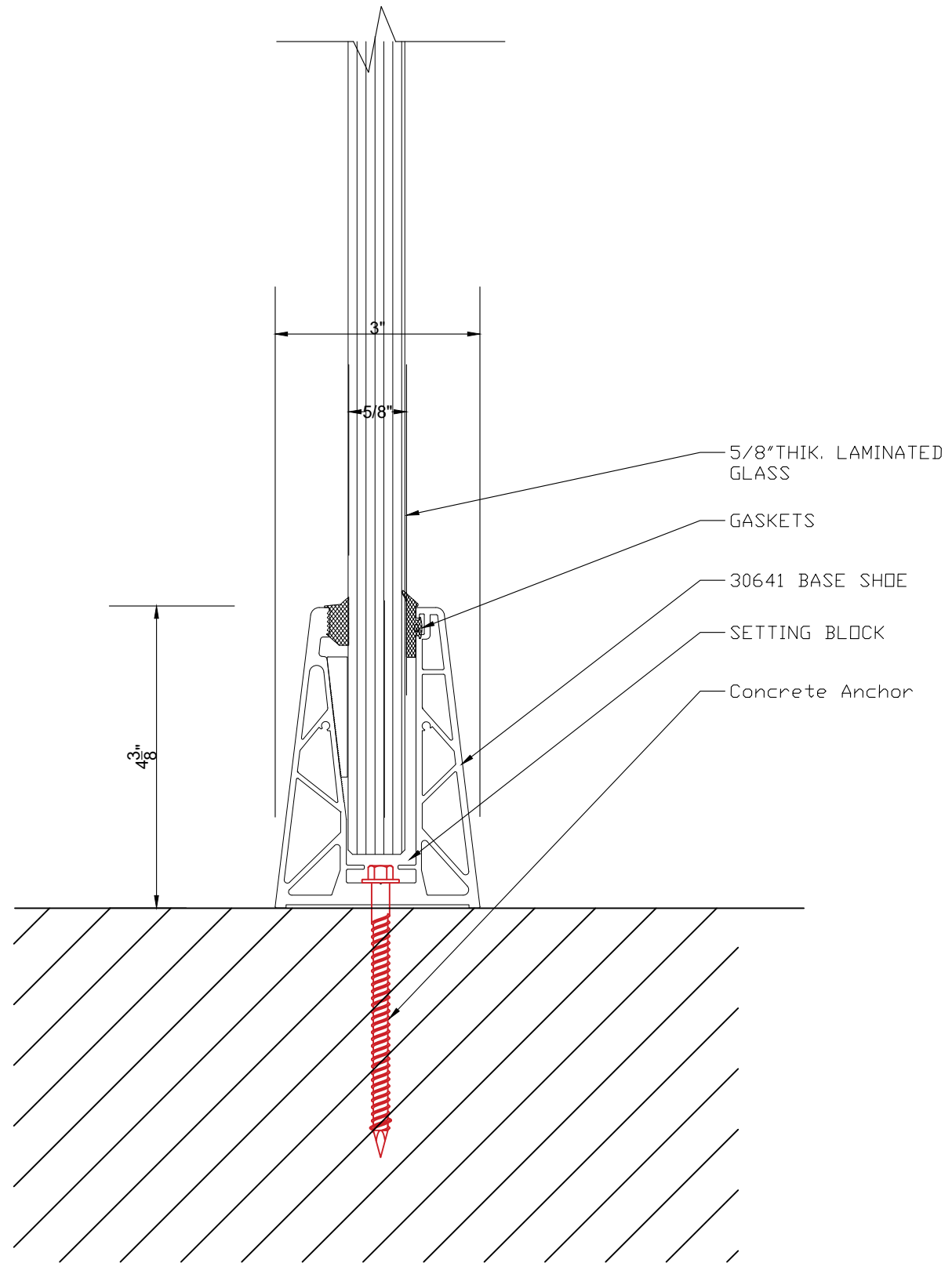
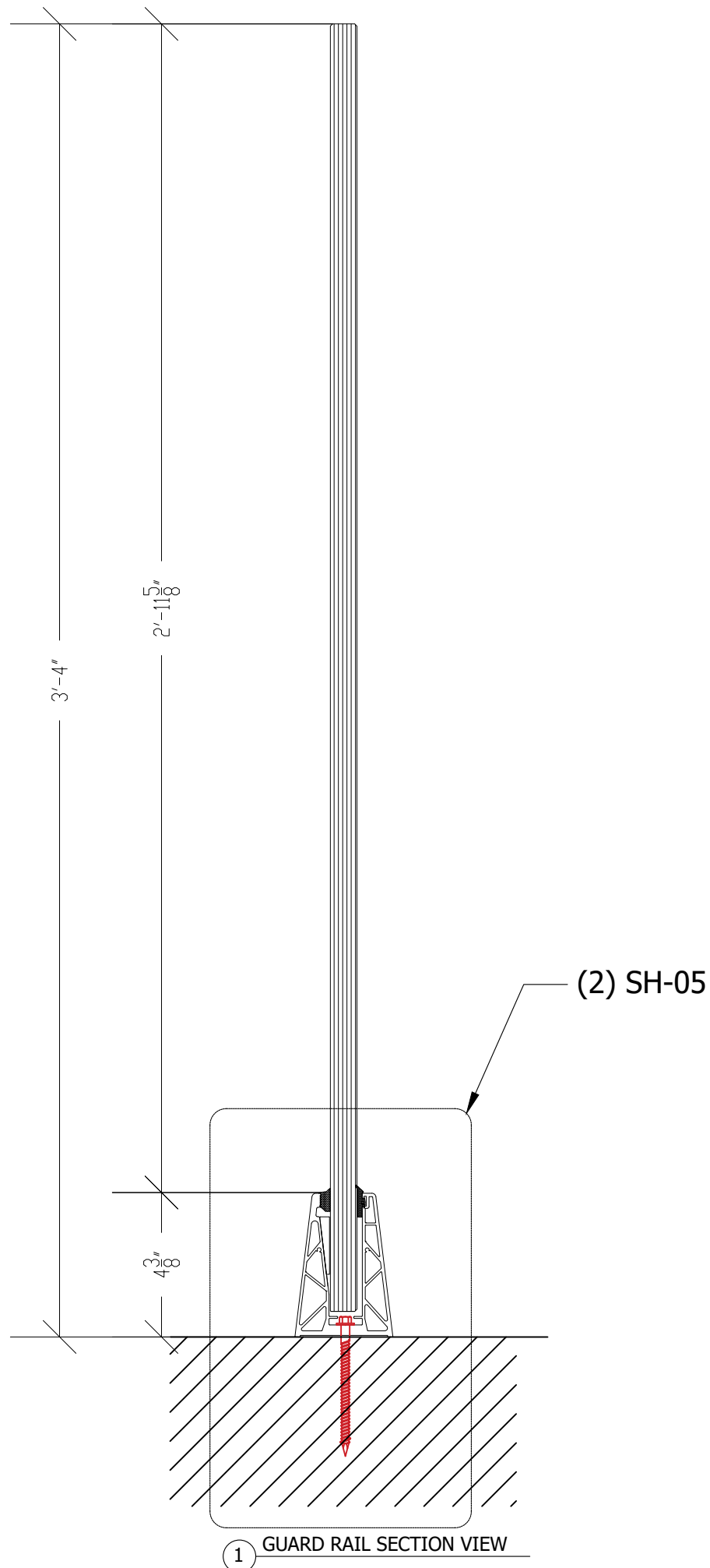
5 GLASS RAIL ELEVATION



3 GLASS RAIL ELEVATION



4 GLASS RAIL ELEVATION



2 GUARD RAIL SECTION DETAIL

PROJECT INFORMATION:
31 Glen Ridge Rd
Greenwich CT

DATE	SUBMISSION
3/12/2024	FIRST SUBMITTAL
3/27/2024	SECOND SUBMITTAL

- GENERAL NOTES:
1. ALL DIMENSIONS ARE BOTH IN SI (mm) AND IP (ft - in), UNLESS NOTED, ALL DIMENSIONS TO BE VERIFIED ON SITE AND APPROVED BY THE ENGINEERS.
 2. DO NOT SCALE FROM DRAWING
 3. ALL ALUMINUM PROFILES ARE FROM EVEREST SYSTEMS
 4. ALL ALUMINUM PROFILES WILL BE POWDER COATED AS PER APPROVED COLOR

DRAWINGS / MANUFACTURING:

EVEREST USA CORP.
208 HUYLER ST. SOUTH
HACKENSACK, NJ 07606
info@everest.ai

DRAWN BY :
ANDREW BASTOUROS

CHECKED BY :
 ERI SPAHIU

DRAWING SCALE :

DRAWING TITLE :

DRAWING NO :
SH-05

SUBMISSION DATE (YY/MM/DD):

2024/03/27

PRINTING DATE / TIME :

4/3/2024 2:04:19 PM

DATE	SUBMISSION
3/12/2024	FIRST SUBMITTAL
3/27/2024	SECOND SUBMITTAL

- GENERAL NOTES:
1. ALL DIMENSIONS ARE BOTH IN SI (mm) AND IP (ft - in). UNLESS NOTED, ALL DIMENSIONS TO BE VERIFIED ON SITE AND APPROVED BY THE ENGINEERS.
 2. DO NOT SCALE FROM DRAWING
 3. ALL ALUMINUM PROFILES ARE FROM EVEREST SYSTEMS
 4. ALL ALUMINUM PROFILES WILL BE POWDER COATED AS PER APPROVED COLOR



EVEREST USA CORP.
208 HUYLER ST. SOUTH
HACKENSACK, NJ 07606
info@everest.al

DRAWN BY :
ANDREW BASTOUROS

CHECKED BY :
 ERI SPAHIU

DRAWING SCALE :

DRAWING TITLE :

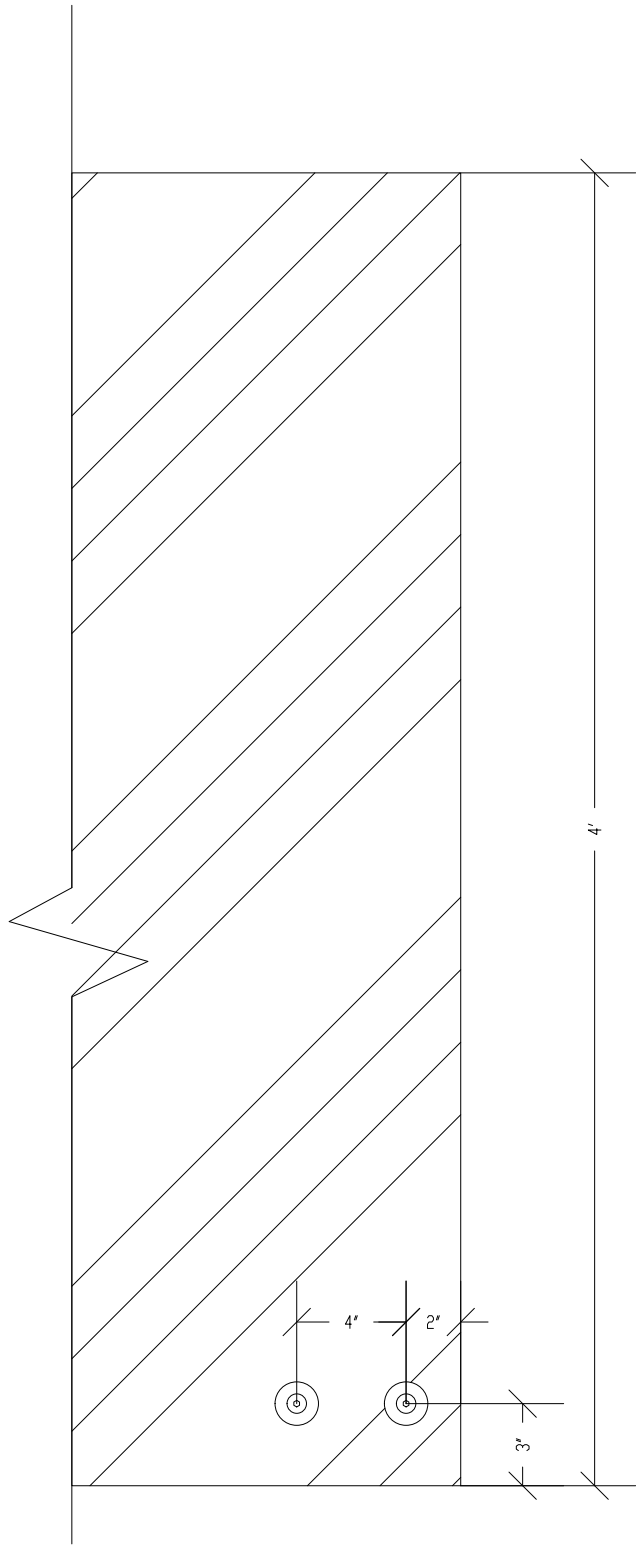
DRAWING NO :
SH-06

SUBMISSION DATE (YY/MM/DD):

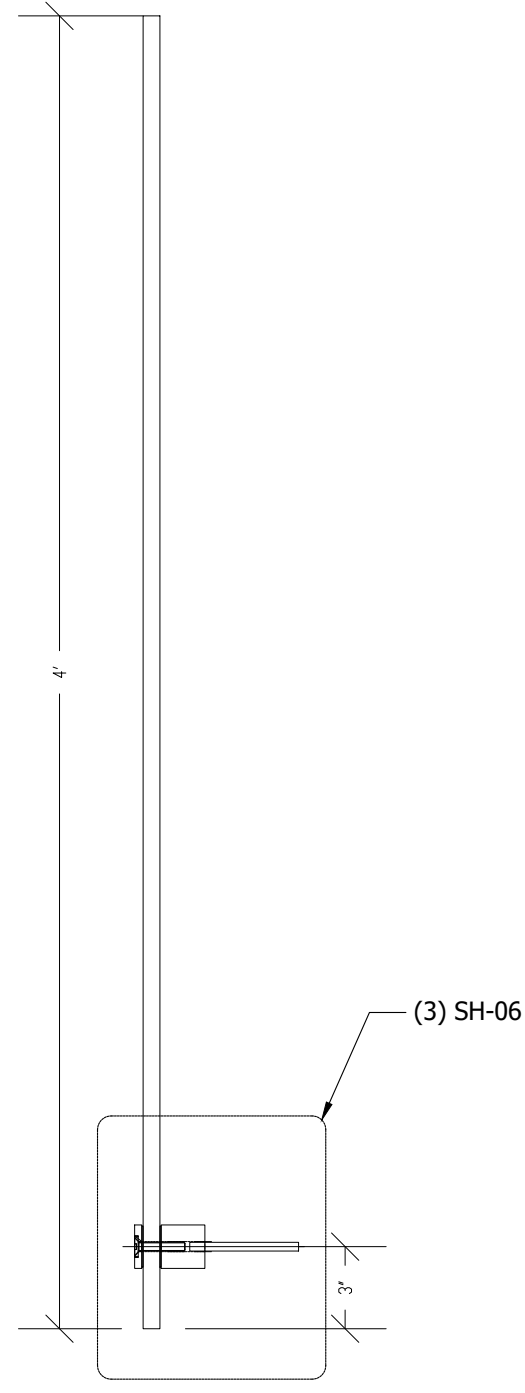
2024/03/27

PRINTING DATE / TIME :

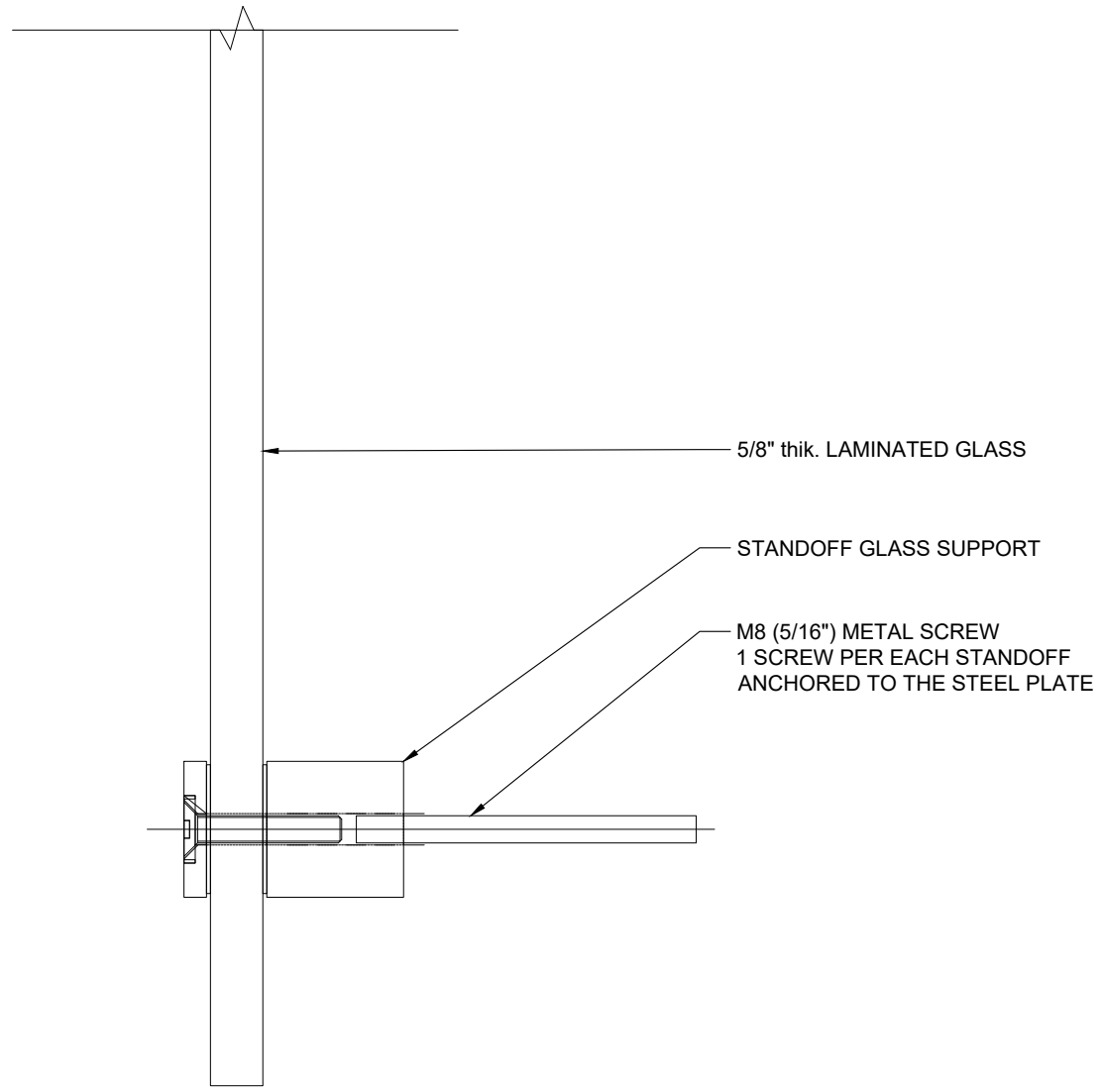
4/3/2024 2:05:15 PM



1 GLASS RAIL ELEVATION



2 GLASS RAIL SECTION



3 GLASS RAIL DETAIL