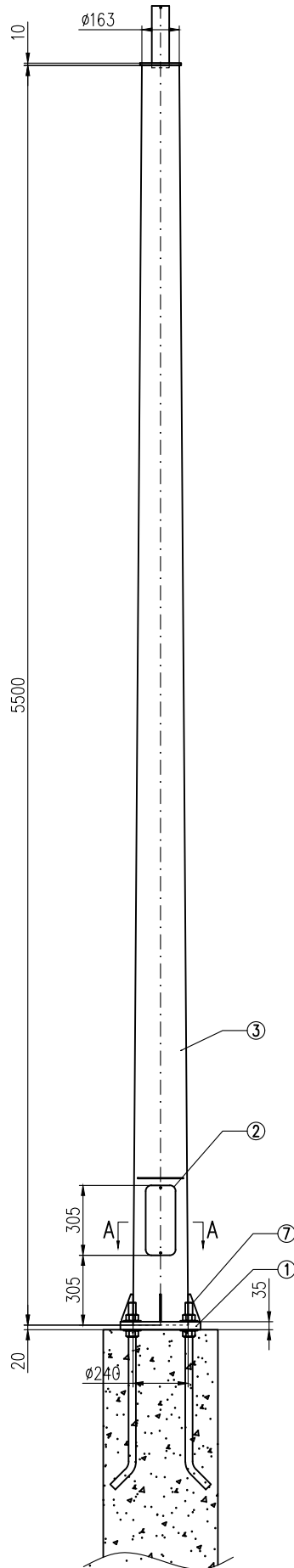


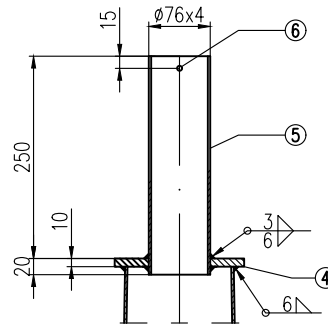
ITEM	DRAW NO.	DESCRIPTION	MATERIALS	QTY	WEIGHT	REMARK
1	5.5MCP-01	BASEPLATE	Q345 t=35mm	1		
2	5.5MCP-02	SERVICE DOOR	Q345	1		
3	5.5MCP-01	POLE	Q345 t=4mm	1		
4	5.5MCP-01	RING PLATE	Q345 t=10mm	1		
5	5.5MCP-01	PIPE	Q235 ϕ 76X4mm	1		L=270mm
6	5.5MCP-00	CABLESUPPORT	Q235 ϕ 6 BAR	1		L=68mm
7	5.5MCP-01	GUSSET	Q345 t=6mm	4		

Technical Requirements:

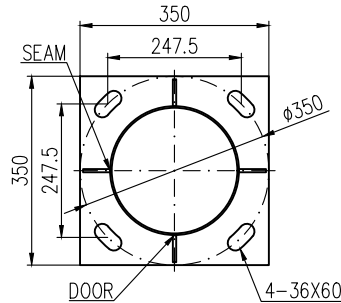
- 1.All pole sections welding to be performed in accordance to prescribed welding procedure with all fillet welds to be 6mm continuous U.O.N are to conform to AS1554.
- 2.All sharp edges and burrs to be removed.
- 3.All steel to be fully hot dipped galvanised after fabrication in accordance with AS4680 with provision of vent and drainage on all members in accordance with galvaniser's recommendations.
- 4.Pole powdercoated to Dark Bronze (RAL 8019 - matt smooth finish)
- 5.Service door details and all internal structures are per indicated in drawings.
- 6.Pole is rated to Australia Wind Region D 88m/s = 316.8 Km/H



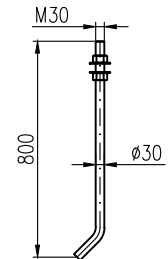
TOP DETAIL



A--A



ANCHOR BOLT



GALVANISED POLES AUSTRALIA

35 Sparks Road, Henderson
Western Australia 6166
P: 1300 790 343
E: sales@galvanisedpolesaustralia.com
www.galvanisedpolesaustralia.com

CLIENT :

PROJECT :

DATE : 20/11/2023

DRAWN BY : VINCENT.

DRAWING TITLE :

5.5M Circular Pole- with ϕ 76x250mm Top Spigot-REV.3

DRAW NO : 5.5MCP-00

FILE NAME :

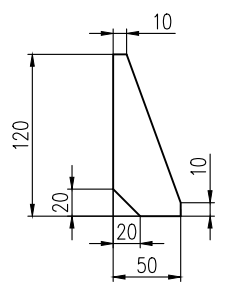
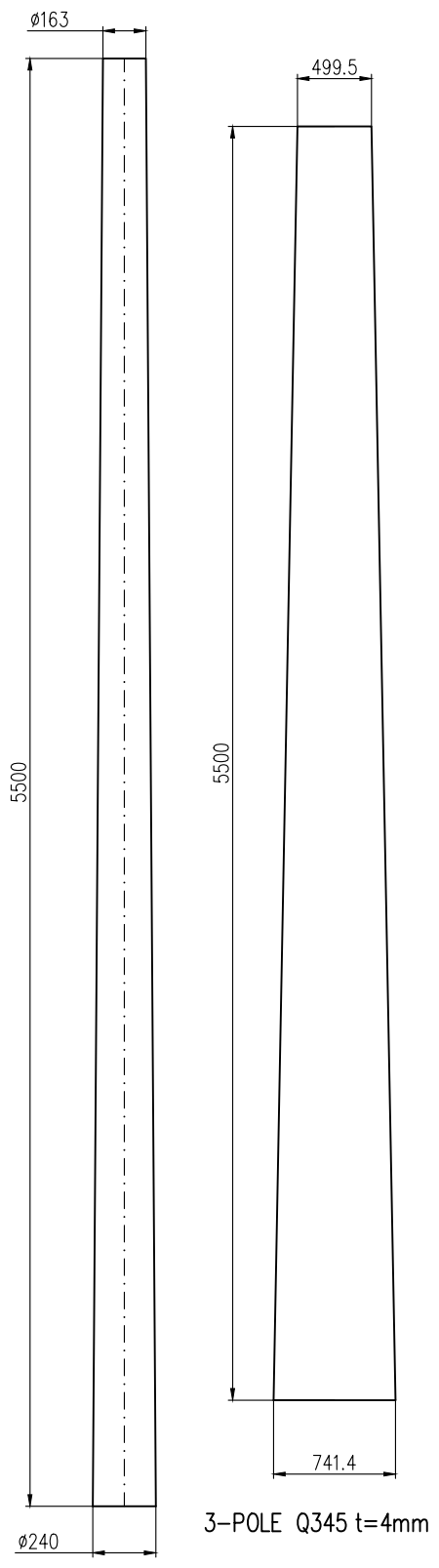
CHECKED BY : D.C.

SCALE : N.T.S.

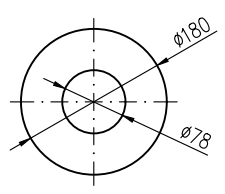
APPROVED BY : D.C.

A4 SIZE

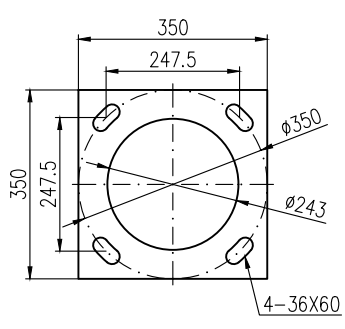
THIS DRAWING IS THE PROPERTY OF GALVANISED POLES AUSTRALIA AND MUST NOT BE REPRODUCED WITHOUT THEIR PRIOR CONSENT IN WRITING.



7-GUSSET Q345 t=6mm
QTY : 4 PCS/SET



4-RING PLATE Q345 t=10mm



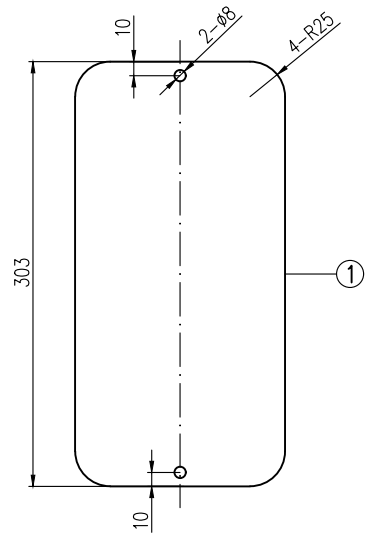
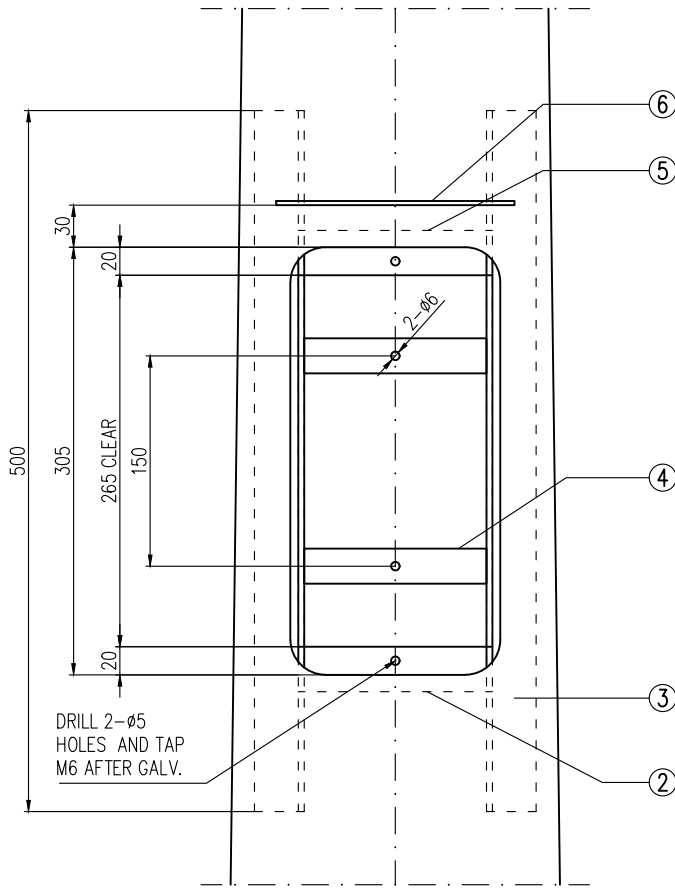
1-BASEPLATE Q345 t=35mm

GALVANISED POLES AUSTRALIA
35 Sparks Road, Henderson
Western Australia 6166
P: 1300 790 343
E: sales@galvanisedpolesaustralia.com
www.galvanisedpolesaustralia.com

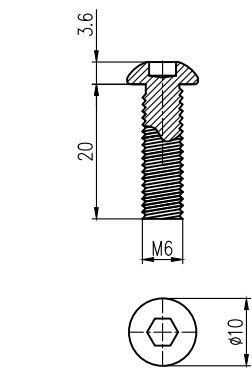
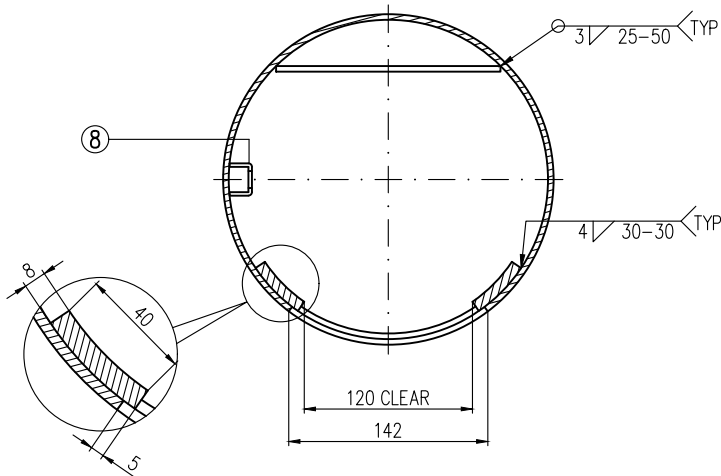
CLIENT :		DRAW NO : 5.5MCP-01	
PROJECT :		FILE NAME :	
DATE : 20/11/2023	DRAWN BY : VINCENT.	CHECKED BY : D.C.	SCALE : N.T.S.
DRAWING TITLE :		APPROVED BY : D.C.	A4 SIZE
5.5M Circular Pole- with Ø 76x250mm Top Spigot-REV.3		THIS DRAWING IS THE PROPERTY OF GALVANISED POLES AUSTRALIA AND MUST NOT BE REPRODUCED WITHOUT THEIR PRIOR CONSENT IN WRITING.	

DRAW NO : 5.5MCP-01	
FILE NAME :	
CHECKED BY : D.C.	SCALE : N.T.S.
APPROVED BY : D.C.	A4 SIZE
THIS DRAWING IS THE PROPERTY OF GALVANISED POLES AUSTRALIA AND MUST NOT BE REPRODUCED WITHOUT THEIR PRIOR CONSENT IN WRITING.	

ITEM	DRAW NO.	DESCRIPTION	MATERIALS	QTY	WEIGHT	REMARK
1	5.5MCP-02	DOOR CAP	Q345 t=4mm	1		FLUSHED DOOR - FROM POLE BODY
2	5.5MCP-02-01	PLATE 1	Q345 t=4mm	1		
3	5.5MCP-02	REINFORCEMENT	Q345 t=8mm	2		-8x40x500
4	5.5MCP-02-01	GEARSTRAP	Q235 t=4mm	2		
5	5.5MCP-02-01	PLATE 2	Q345 t=4mm	1		
6	5.5MCP-02-01	WEATHER LIP	Q235 t=3mm	1		
7	5.5MCP-02	DOOR LOCK	SS304 M6X20	2		
8	5.5MCP-02	EARTH LUG	M10	1		
TOTAL WEIGHT:						kg



1-DOOR CAP



7-DOOR LOCK M6x20 BOLT



GALVANISED POLES AUSTRALIA

35 Sparks Road, Henderson
Western Australia 6166
P: 1300 790 343
E: sales@galvanisedpolesaustralia.com
www.galvanisedpolesaustralia.com

CLIENT :

PROJECT :

DATE : 20/11/2023

DRAWN BY : VINCENT.

DRAWING TITLE :

5.5M Circular Pole- with Ø 76x250mm Top Spigot-REV.3

DRAW NO : 5.5MCP-02

FILE NAME :

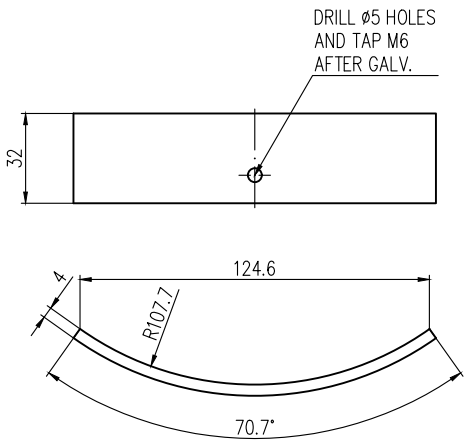
CHECKED BY : D.C.

SCALE : N.T.S.

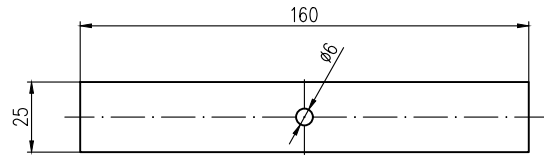
APPROVED BY : D.C.

A4 SIZE

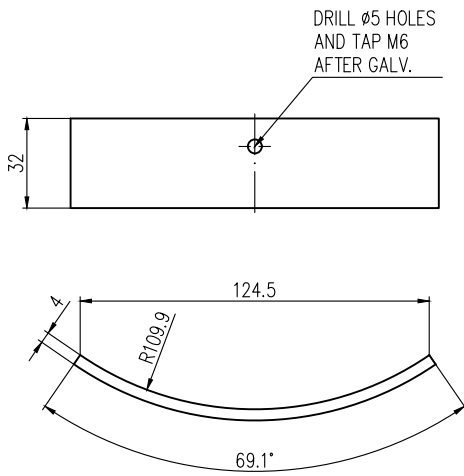
THIS DRAWING IS THE PROPERTY OF GALVANISED POLES AUSTRALIA AND MUST NOT BE REPRODUCED WITHOUT THEIR PRIOR CONSENT IN WRITING.



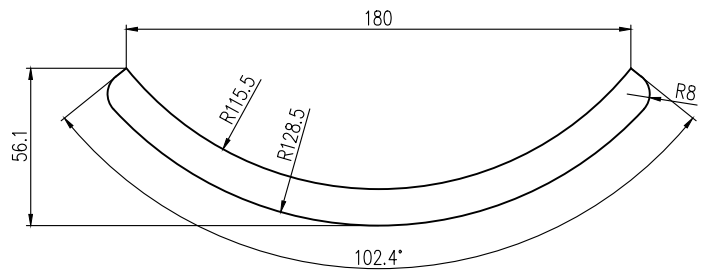
5-PLATE2 Q345. t=4mm
 SIZE : -4x32x135.5



4-GEAR STRAP Q235. t=4mm
 QTY: 2 PCS / SET



2-PLATE1 Q345. t=4mm
 SIZE : -4x32x135



6-WEATHER LIP Q235. t=3mm



GALVANISED POLES AUSTRALIA

35 Sparks Road, Henderson
 Western Australia 6166
 P: 1300 790 343
 E: sales@galvanisedpolesaustralia.com
 www.galvanisedpolesaustralia.com

CLIENT :

PROJECT :

DATE : 20/11/2023

DRAWN BY : VINCENT.

DRAWING TITLE :

5.5M Circular Pole- with Ø 76x250mm Top Spigot-REV.3

DRAW NO : 5.5MCP-02-01

FILE NAME :

CHECKED BY : D.C.

SCALE : N.T.S.

APPROVED BY : D.C.

A4 SIZE

THIS DRAWING IS THE PROPERTY OF GALVANISED POLES AUSTRALIA AND MUST NOT BE REPRODUCED WITHOUT THEIR PRIOR CONSENT IN WRITING.