

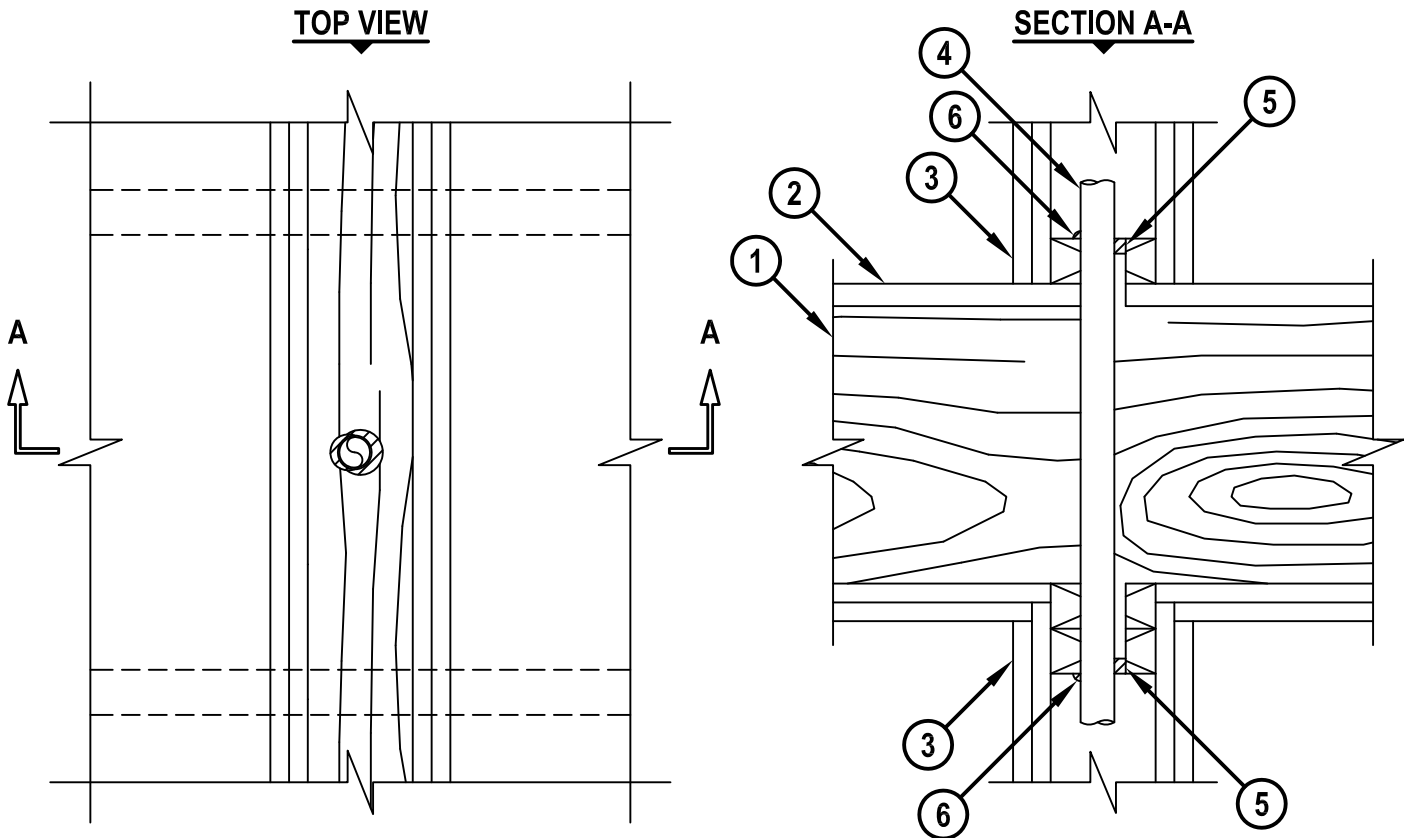
UL SYSTEM NO. F-C-2081

PLASTIC PEX TUBING THROUGH WOOD FLOOR/CEILING ASSEMBLY

F-RATING = 1-HR. OR 2-HR.

T-RATING = 1-HR. OR 2-HR.

FC2081f.012415



1. WOOD FLOOR/CEILING ASSEMBLY (UL CLASSIFIED L500 SERIES) (1-HR. OR 2-HR. FIRE-RATING) (2-HR. SHOWN).
2. LUMBER OR PLYWOOD SUBFLOOR WITH FINISH FLOOR OF LUMBER, PLYWOOD, OR FLOOR TOPPING MIXTURE.
3. [OPTIONAL] GYPSUM WALL ASSEMBLY (UL CLASSIFIED U300 SERIES) (1-HR. OR 2-HR. FIRE-RATING) (2-HR. SHOWN) CONSISTING OF NOMINAL 2" x 4" LUMBER PLATES AND STUDS.
4. MAXIMUM 1" NOMINAL DIAMETER CROSS-LINKED POLYETHYLENE (PEX) SDR 9 TUBING (CLOSED OR VENTED PIPING SYSTEM).
5. MINIMUM 1/2" DEPTH HILTI FS-ONE MAX OR FS-ONE INTUMESCENT FIRESTOP SEALANT FLUSH WITH TOP SURFACE OF FLOOR OR SOLE PLATE OF CHASE WALL, AND FLUSH WITH BOTTOM SURFACE OF CEILING OR LOWER TOP PLATE.
6. MINIMUM 1/4" BEAD HILTI FS-ONE MAX OR FS-ONE INTUMESCENT FIRESTOP SEALANT APPLIED AT POINT OF CONTACT.

NOTES : 1. MAXIMUM DIAMETER OF OPENING = 1-1/2".
2. ANNULAR SPACE = MINIMUM 0", MAXIMUM 1/2".



HILTI, Inc.
Tulsa, Oklahoma USA (800) 879-8000

Sheet 1 of 1
Scale 5/32" = 1"
Date Jan. 24, 2015

Drawing No.
**FC
2081f**

Saving Lives through Innovation and Education