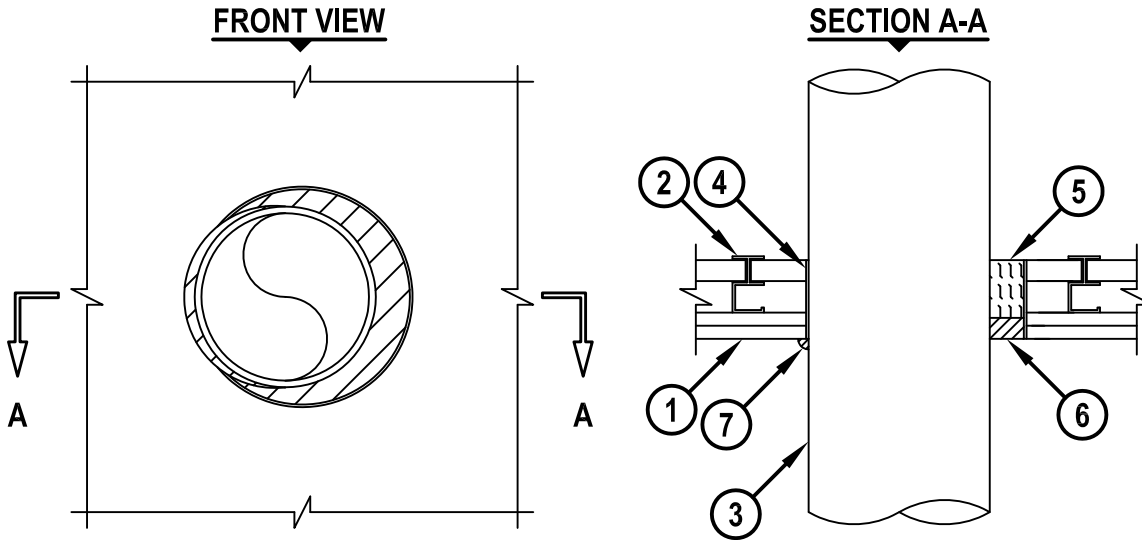


**METAL PIPE THROUGH GYPSUM SHAFT WALL ASSEMBLY**

F-RATING = 1-HR. OR 2-HR.

T-RATING = 0-HR.

WL 1206f.011215



1. GYPSUM SHAFT WALL ASSEMBLY (UL/cUL CLASSIFIED U400 SERIES) (1-HR. OR 2-HR. FIRE-RATING) (2-HR. SHOWN).
2. "C-T" SHAPED STUDS (1-5/8" WIDE x 2-1/2" DEEP, MIN. 25 GA.) SPACED MAXIMUM 24" C/C.
3. PENETRATING ITEM TO BE ONE OF THE FOLLOWING :
  - A. MAXIMUM 8" NOMINAL DIAMETER STEEL PIPE (SCHEDULE 10 OR HEAVIER).
  - B. MAXIMUM 8" NOMINAL DIAMETER CAST IRON PIPE.
  - C. MAXIMUM 4" NOMINAL DIAMETER COPPER PIPE.
  - D. MAXIMUM 6" NOMINAL DIAMETER STEEL CONDUIT.
  - E. MAXIMUM 4" NOMINAL DIAMETER EMT.
  - F. MAXIMUM 2" NOMINAL DIAMETER FLEXIBLE STEEL CONDUIT.
4. MAXIMUM 10-1/2" DIAMETER STEEL SLEEVE (MIN. 28 GA. SHEET METAL OR NO. 8 STEEL WIRE MESH) HAVING A MINIMUM 1" OVERLAP ALONG THE LONGITUDINAL SEAM.
5. MINIMUM 1-5/8" OR 2-1/4" THICKNESS MINERAL WOOL (MIN. 4 PCF DENSITY) TIGHTLY PACKED AND RECESSED ON ONE SIDE OF WALL, FOR 1-HR. OR 2-HR. FIRE-RATED WALLS RESPECTIVELY.
6. MINIMUM 1-1/2" DEPTH HILTI FS-ONE MAX OR FS-ONE INTUMESCENT FIRESTOP SEALANT.
7. MINIMUM 1/2" BEAD HILTI FS-ONE MAX OR FS-ONE INTUMESCENT FIRESTOP SEALANT APPLIED AT POINT OF CONTACT.

**NOTES :** 1. MAXIMUM DIAMETER OF OPENING = 10-1/2".  
 2. ANNULAR SPACE = MINIMUM 0", MAXIMUM 1-7/8".  
 3. AS AN ALTERNATE TO THE ABOVE SHAFT WALL ASSEMBLY, A 1 OR 2-HR. GYPSUM WALL ASSEMBLY MAY BE USED (U300, U400 OR V400 SERIES). STEEL STUDS TO BE MINIMUM 2-1/2" WIDE. WOOD STUDS TO CONSIST OF NOMINAL 2 x 4 LUMBER.  
 4. WHEN SYSTEM IS INSTALLED IN A STANDARD WALL ASSEMBLY, MINERAL WOOL SHOULD BE INSTALLED FLUSH WITH EITHER SIDE OF WALL AND RECESSED FROM OTHER SIDE TO ACCOMMODATE SEALANT.



HILTI, Inc.  
 Tulsa, Oklahoma USA (800) 879-8000

Sheet	1 of 1
Scale	7/64" = 1"
Date	Jan. 12, 2015

Drawing No.  
**WL  
 1206f**